

| REVISIONS | | | | | |
|-----------|-----|-----------------|-----------|-----|------|
| P | LTR | DESCRIPTION | DATE | DWN | APVD |
| | 10 | INITIAL RELEASE | 11FEB2020 | GK | AK |

NOTES: -

1. CHARACTERS: -

0-9, A-Z, +, -, /, ~, ≡

0, 1, 6 & 9 FOLLOWED BY A FULL STOP.

HEIGHT 1.8 - 2.0 mm

TOLERANCE (AXIAL) ±0.75

(ROTATIONAL) ±5°

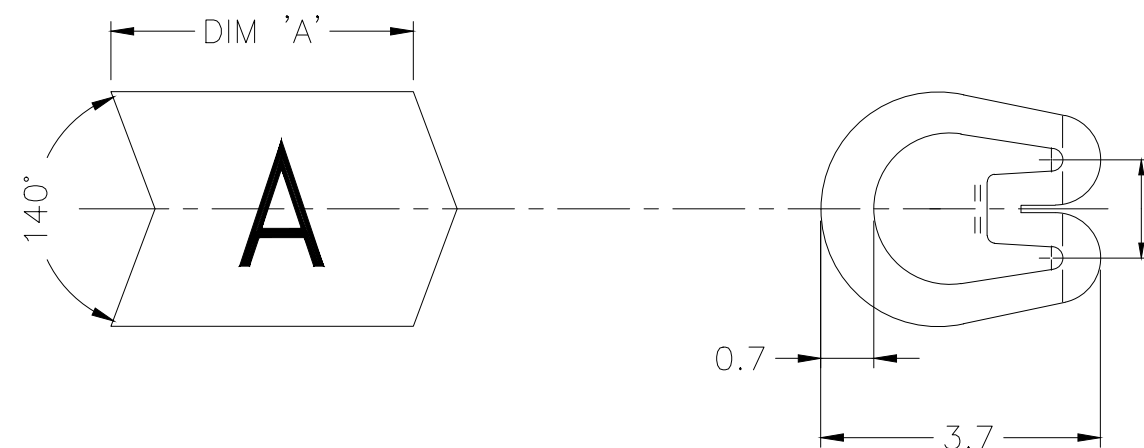
CHEVRON CUT MARKERS: -

CHARACTERS TO BE CENTRALLY DISPOSED ON MARKER FACE AND IN THE ATTITUDE SHOWN RELATIVE TO CHEVRON.

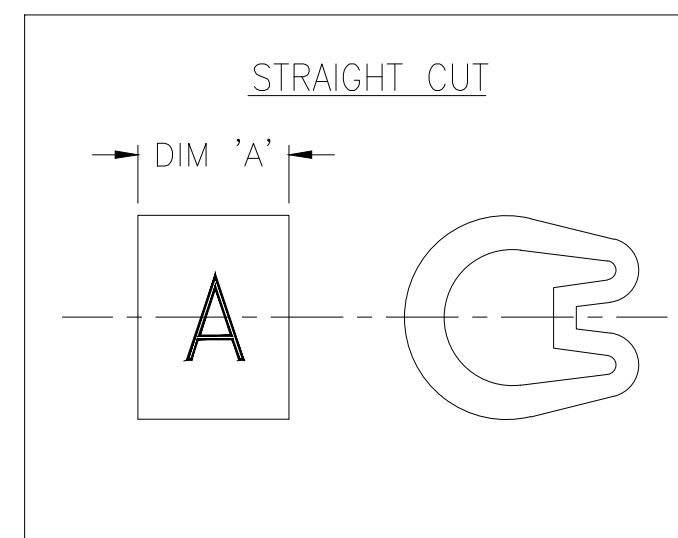
2. MARKER LENGTHS (DIMENSION 'A'): -

WITH SINGLE MARK 4.00 - 4.75


WITH DOUBLE MARK 5.75 - 6.25



CHEVRON CUT



STRAIGHT CUT

| | | | | | | | |
|---|--|---------------------------------------|---|-----------------|--------------------|---------------------------|--------------------|
| THIS DRAWING IS A CONTROLLED DOCUMENT. | | DWN GOPALAKRISHNA H V 11FEB2020 |  TE Connectivity | | | | |
| DIMENSIONS: mm | | CHK ALAN KEAN 11FEB2020 | | | | | |
| TOLERANCES UNLESS OTHERWISE SPECIFIED: | | APVD ALAN KEAN 11FEB2020 | NAME MARKER Z TYPE SIZE 7 STRAIGHT / CHEVRON CUT | | | | |
| 0 PLC ± - 1 PLC ± 0.2 2 PLC ± - 3 PLC ± - 4 PLC ± - ANGLES ± - | | PRODUCT SPEC - | APPLICATION SPEC - | | | | |
| MATERIAL PVC 2.05-1.85g/250mm | | FINISH - | WEIGHT - | SIZE A3 | CAGE CODE 00779 | DRAWING NO G-1601A0002 | RESTRICTED TO - |
| CUSTOMER DRAWING | | | SCALE 10:1 | SHEET 1 OF 1 | REV 10 | | |

Mouser Electronics

Authorized Distributor

Click to View Pricing, Inventory, Delivery & Lifecycle Information:

[TE Connectivity:](#)

[EC0275-000](#)