

LOC	DIST	REVISIONS			
A1	-	REV	DATE	BY	APPV
PROJECT NR.:	M9	REVISED PER ECO-11-005150	16APR2011	RK	HMR
	M10	Swage in insulation area section C-C corrected.	01JUN2011	Jirs.	Merz
	M11	929990-4 SUPERSEDED BY 929990-1	17JUN2016	JJH	MC

1 PRE TINNED  
vorverzinkt 1-2 µm

2 FINISH: ELECTROPLATED SILVER  
Oberfläche: galvanisch versilbert

ZONE "A": MIN 1-3 µm Ag  
min 1-3 µm Ag

ZONE "B": MIN 1-3 µm ELECTROPLATED SN  
min 1-3 µm galvanisch Sn

REST: SILVER OR TIN ALLOWED. IN TRANSITION AREAS  
OVERLAPPING LAYER OR PLAIN SURFACES ARE NOT ALLOWED.  
Silber oder Zinn erlaubt. Im Übergangsbereich sind keine  
überlappenden Schichten oder blanke Stellen erlaubt.

3 PLAIN  
blank

4 FINISH: ROLL-CLAD GOLD  
Oberfläche: walzplattiert Gold

ZONE "A": MIN 1.2 µm AuNi5 OVER 10±2 µm Ni INTERFACE LAYER  
min 1.2 µm AuNi5 ueber 10±2 µm Zwischenschicht

REST: MIN. 1-2 µm ELECTROPLATED Sn  
min. 1-2 µm galvanisch Sn

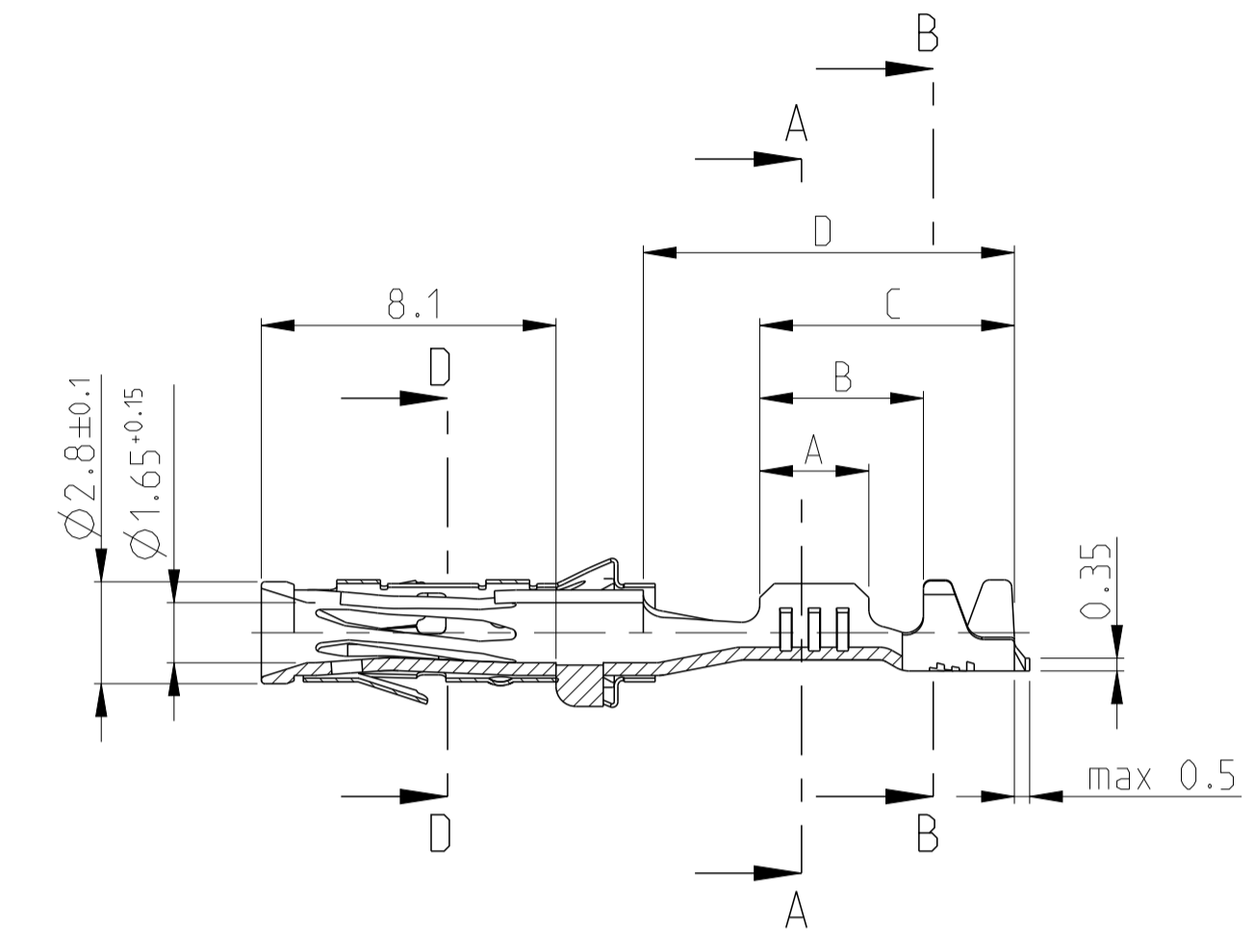
5 FINISH: ELECTROPLATED GOLD  
Oberfläche: galvanisch vergoldet

ZONE "A": MIN 0.8 µm ELECTROPLATED Au OVER MIN 1.3 µm ELECTROPLATED Ni LAYER  
AT CONTACT AREA  
min 0.8 µm galvanisch Au ueber min 1.3 µm galvanisch Ni Zwischenschicht  
im Kontaktbereich

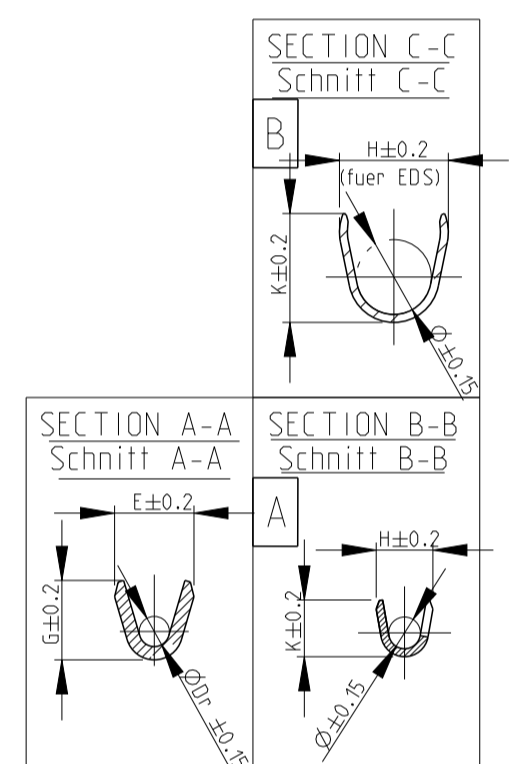
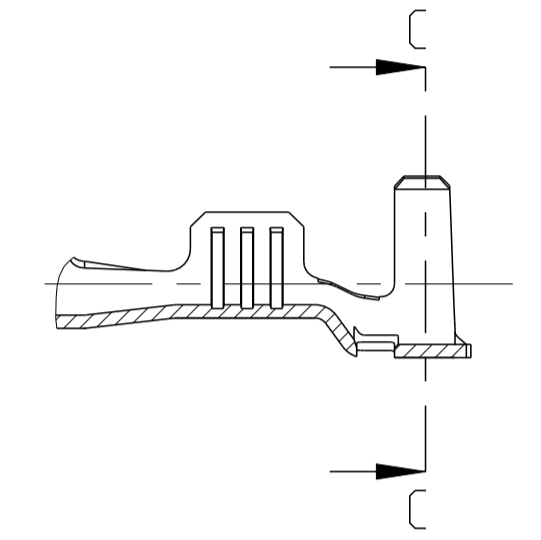
ZONE "B": MIN 1-2 µm ELECTROPLATED Sn OVER MIN 0.05 µm ELECTROPLATED Ni LAYER  
min 1-2 µm galvanisch Sn ueber min 0.05 µm galvanisch Ni Zwischenschicht

REST: Au, Sn OR Ni SURFACE. NO PLAIN SURFACES ALLOWED.  
Au, Sn oder Ni Oberfläche. Keine blanken Stellen erlaubt.

VERSION A  
(UNSEALED / ungedichtet)



VERSION B  
(SINGLE WIRE SEAL-SYSTEM /  
Einzel-Dichtungs-System)  
DGB 0.5 - 2.5 mm



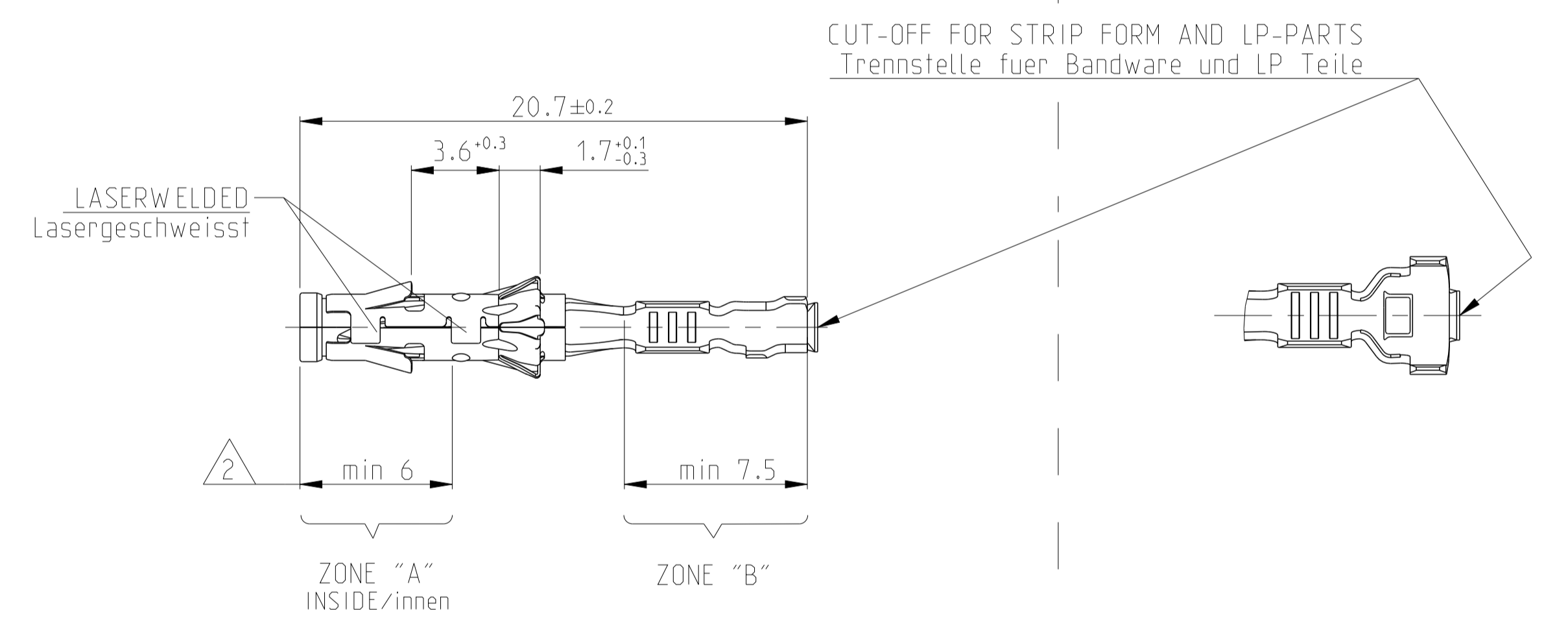
ORDER-No.  
SINGLE SEAL  
Einzeldichtung

ORDER-No.  
DEAD END PLUG  
Blindstopfen

M11	1-929990-0	1-962999-0	K	CuNi18Zn20	3	>1.0-2.5 FLR	2.2-3.0	E=3.6 G=3.8 Ø <sub>Dr</sub> =1.7	H=5.0 K=5.0 Ø=3.6	4	7.2	8.7	10.4	828905-1	828922-1
	929990-7	962999-7	K	CuNiSi	2										
	929990-4 SUPERSEDED BY 929990-1	962999-4	K	CuFe2	1										
	929990-3	-	K	CuNiSi	4										
	929990-1	962999-1	K	CuNiSi	1										
	1-929989-0	1-962998-0	A	CuNi18Zn20	3	0.5-1.0 FLR	1.2-2.1	E=2.6 G=2.8 Ø <sub>Dr</sub> =1.1	H=4.8 K=4.8 Ø=3.2	3	5.4	7	10.2	828904-1	828922-1
	929989-8	962998-8	A	CuNiSi	5										
	929989-7	962998-7	A	CuNiSi	2										
	929989-4	962998-4	M	CuFe2	1										
	929989-1	962998-1	M	CuNiSi	1										
	929988-4	962997-4	J	CuFe2	1	0.2-0.4 FLR	1.2-2.1	E=2.1 G=2.1 Ø <sub>Dr</sub> =0.8	H=4.7 K=4.5 Ø=3.2	3	5.4	7	10.2	828904-1	828922-1
	929988-2	962997-2	K	CuNiSi	2										
	929988-1	962997-1	J	CuNiSi	1										

Version A (UNSEALED / ungedichtet)	929987-4	962996-4	L	CuFe2	1	>1.0-2.5 FLR	1.9-3.0	E=3.6 G=3.8 Ø <sub>Dr</sub> =1.7	H=4.3 K=4.5 Ø=2.6	4	5.5	8.5	10.2		
	929987-1	962996-1	L	CuNiSi	1										
	929986-4	962995-4	L	CuFe2	1	0.5-1.0 FLR	1.4-2.1	E=2.6 G=2.8 Ø <sub>Dr</sub> =1.1	H=3.2 K=3.4 Ø=1.8	3	4.5	7	10.2		
	929986-1	962995-1	L	CuNiSi	1										
	929985-4	962994-4	J	CuFe2	1	0.2-0.4 FLR	1.15-1.6	E=2.1 G=2.1 Ø <sub>Dr</sub> =0.8	H=2.5 K=2.5 Ø=1.4	3	4.5	7	10.2		
	929985-1	962994-1	J	CuNiSi	1										

ORDER-NO. STRIP FORM Bandware	ORDER-NO. LOOSE PIECE. Einzelausführung	REV.	MATERIAL Werkstoff	SURFACE Oberfläche	DGB [mm 2]	ISOL.Ø [mm]	WIRE CRIMP Drahtcrimp	INSUL.-CRIMP Isol.-Crimp	A	B	C	D
							CRIMP DIMENSION (mm) Crimpabmessungen (mm)					



THIS DRAWING IS A CONTROLLED DOCUMENT. DWN Abraham.G. 17OCT2003  
CHK Goedel.C. 18OCT2003

**STE** TE Connectivity

APVD Bleicher.M. 22OCT2003

NAME DIA. 1.5mm SOCKET CONTACT  
Dia. 1.5mm Buchsenkontakt

PRODUCT SPEC 108-18028

APPLICATION SPEC VERABREITUNGSPEC. 114-18040

WEIGHT 0.4g

CUSTOMER DRAWING /KUNDENZEICHNUNG SCALE 5:1 SHEET 1 OF 1 REV M11

# Mouser Electronics

Authorized Distributor

Click to View Pricing, Inventory, Delivery & Lifecycle Information:

[TE Connectivity:](#)

[929990-1](#)