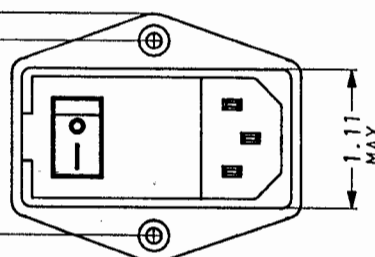
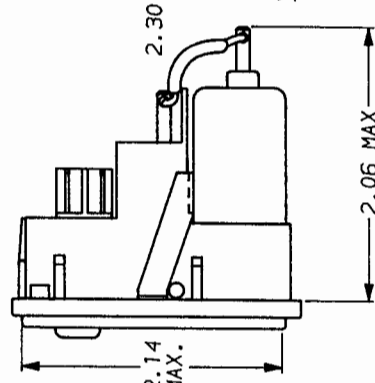
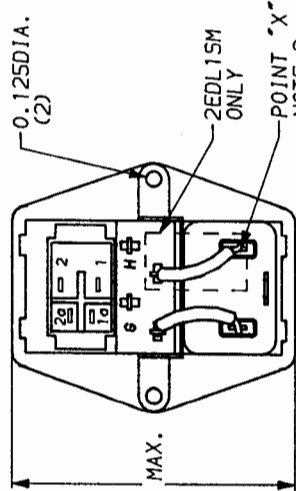
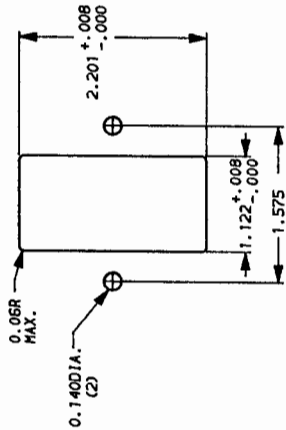
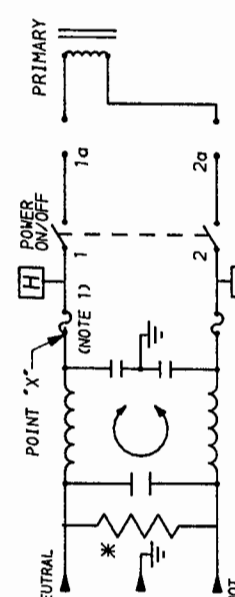


**RECOMMENDED PANEL CUTOUT**  
(NOT TO SCALE)



**ALTERNATE SWITCH**



- NOTE:**
- 1.) PROVISION FOR DUAL EUROPEAN STYLE FUSING.
  - 2.) 2EDL15 JUMPER FROM POINT X TO 1 AND FROM G TO 2. 2EDL15CM JUMPER FROM H TO 1 AND FROM G TO 2.

\*RESISTOR ADDED TO PRODUCT BUILT AFTER 3-30-92 (9212).

APPROVED BY C. Westoby DATE: 4-20-92  
REV. 6

**SAFETY ORGANIZATION(S)**

THIS FILTER HAS BEEN FORMALLY RECOGNIZED, CERTIFIED OR APPROVED BY THE LISTED AGENCY. THEREFORE, ALL TEST/REQUIREMENTS SPECIFIED IN THE LATEST REVISION OF THE FOLLOWING AGENCY STANDARDS HAVE BEEN MET.

- UL 1283
- CSA 22.2, NO.0,0,4,8
- VDE 565-3, 625
- SEN 432901
- SEV 1055/TP1977/5.1.1

**OPERATING SPECIFICATIONS:**

- LINE VOLTAGE/CURRENT: 2 AMP., 120/250 VAC
- 50-60HZ
- MAX. LEAKAGE CURRENT, EACH LINE TO GROUND: .25mA @ 120V 50HZ
- OPERATING AMBIENT TEMP. RANGE: .40mA @ 250V 50HZ
- 10°C TO +40°C @ RATED CURRENT, I<sub>r</sub>
- IN AN AMBIENT, I<sub>a</sub>, HIGHER THAN 40°C, THE MAXIMUM OPERATING CURRENT, I<sub>o</sub>, IS AS FOLLOWS:

$$I_o = I_r \sqrt{\frac{85 - I_a}{45}}$$

**RELIABILITY SPECIFICATIONS:**

- STORAGE TEMPERATURE: -25°C TO +85°C
- HUMIDITY: 21 DAYS @ 40°C 95% RH
- CURRENT OVERLOAD TEST: 6 TIMES RATED CURRENT FOR 8 SECONDS

**TEST SPECIFICATIONS:**

- INDUCTANCE: .75mH NOMINAL
- CAPACITANCE: (MEASURED @ 1 KHZ, 0.25 VAC MAX., 25°C ± 1°C)
- LINE TO GROUND: .0028µF ± 20%
- LINE TO LINE: .047µF ± 20%
- DISCHARGE RESISTOR: 1.5 MΩ
- LINE/GROUND AND LINE/LINE INSULATION RESISTANCE: 6000 MΩ (MIN) AT 100 VDC
- (W/O DISCHARGE RESISTOR) 20°C AND 50% RH

**RECOMMENDED RECEIVING INSPECTION HIPOIL:**

- 2250 VDC FOR 1 MINUTE
- 1450 VDC FOR 1 MINUTE

**FILTER APPROVAL:**

THE BEST WAY TO SELECT AND QUALIFY A FILTER IS FOR YOUR ENGINEERING TO TEST THE UNIT IN YOUR EQUIPMENT.

**TOLERANCE EXCEPT AS NOTED**

DECIMAL: .XXX .XX .X ANGLES ENGLISH: ±.025 METRIC: ±

**MATERIAL: AS SUPPLIED**

**FINISH:**

This document is proprietary to CORCOM INC. and is not to be reproduced nor used for manufacturing purposes except on CORCOM's order or prior written consent.



LIBERTYVILLE, IL 60048

**POWER LINE FILTER**

DATE	3-4-87	DRG. NO.	REV.
SCALE	NTS	ORIGINATOR	2EDL15 & 2EDL15H
DES. BY	LJD	CFW	6

# Mouser Electronics

Authorized Distributor

Click to View Pricing, Inventory, Delivery & Lifecycle Information:

[TE Connectivity:](#)

[4EDL1SCM](#) [4EDL1SC](#) [4EDL4CM](#) [4EDL1S](#) [4EDL4](#) [4EDL4M](#) [4EDL4C](#) [2EDL1S](#) [4EDL1SM](#)