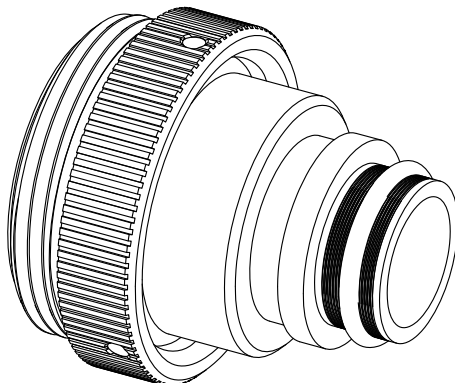


| REVISION |                           |         |          |
|----------|---------------------------|---------|----------|
| REV      | DESCRIPTION               | DATE    | APPROVED |
| A        | REVISED PER DCR R040732   | 9/23/04 | MPIOZET  |
| B        | REVISED PER ECO-14-004946 | 5/19/14 | I. MYONG |



## TXR24 – TINEL-LOCK ADAPTER – STRAIGHT, 45° AND 90° CONFIGURATION

**NOTES:**

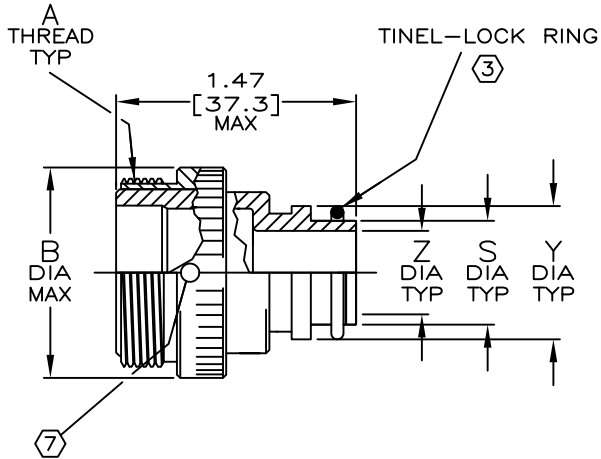
1. THIS PRODUCT IS DESIGNED TO TERMINATE A BRAIDED CABLE SHIELD AND A HEAT SHRINKABLE LIPPED BOOT TO A CONNECTOR.
2. SEE CH00-0250-008 FOR ORDERING INFORMATION, MODIFICATIONS AND ADDITIONAL DIMENSIONS.
- ③ SEE DRAWING TR FOR DETAIL ON TINEL-LOCK RING. RINGS ARE DESIGNED TO BE HEATED ELECTRICALLY. ALL RINGS ARE MARKED WITH THERMOCHROMIC PAINT WHICH CHANGES COLOUR WHEN INSTALLATION TEMPERATURE IS REACHED.
4. ADAPTER TO BE PERMANENTLY MARKED WITH CODE IDENTIFICATION NUMBER AND PART NUMBER LESS RING DESIGNATOR. (e.g. 06090-TXR24AB00-1810). RING SHALL BEAR NO MARKING.
- ⑤ FOR LARGER ENTRY SIZES, A 2 PIECE ADAPTER (TYPE II) IS SUPPLIED.
- ⑥ ADAPTER MATES TO: MIL-C-26482 SERIES I, MS3114 AND MS3124 RECEPTACLE CONNECTORS.
- ⑦ ANTI-ROTATIONAL SET SCREW, THREE #4-40 THREADED HOLES 120° APART, SINGLE MATING SET SCREW SUPPLIED: AN565DC4H2, NOT REQUIRED FOR TYPE II ADAPTERS.

If this document is printed it becomes uncontrolled. Check for the latest revision

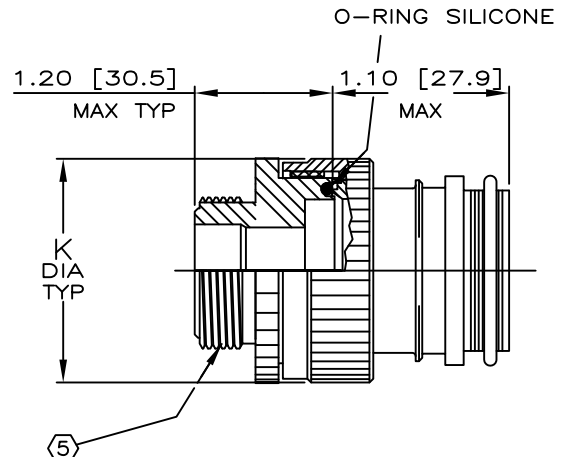
© 2014 Tyco Electronics Corporation. All rights reserved.

Raychem Adapters  
CUSTOMER DRAWING

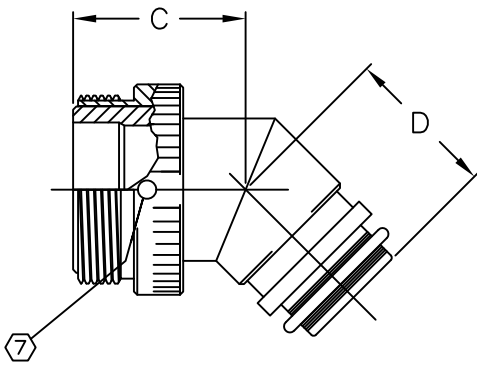
|   |                        |   |                  |
|---|------------------------|---|------------------|
| UNLESS OTHERWISE SPECIFIED DIMENSIONS ARE IN INCHES.  |                        | <span style="font-size: 1.2em; vertical-align: middle;">TE Connectivity</span>        |                  |
| DECIMALS:   XXX ± .005<br>XX  ± .01<br>X   ± .1   | ANGLES: ± 1°           | TITLE:<br><div style="text-align: center; font-size: 1.2em;">TINEL-LOCK ADAPTER</div> |                  |
| TYCO ELECTRONICS RESERVES THE RIGHT TO AMEND THIS DRAWING AND THE INFORMATION SET FORTH HEREON AT ANY TIME. USERS SHOULD INDEPENDENTLY EVALUATE THE SUITABILITY OF THE PRODUCT FOR THEIR APPLICATION. |                        | DOCUMENT NO:<br><div style="text-align: center; font-size: 1.2em;">TXR24</div>        |                  |
| DRAWN:<br>T. NGUYEN   | CAD FILE:<br>TXR24.dwg | CAGE CODE:<br>06090   | RPN:<br>N/A      |
| SIZE:<br>A  | SCALE:<br>             | THIRD ANGLE PROJ.<br>   | SHEET:<br>1_OF_3 |



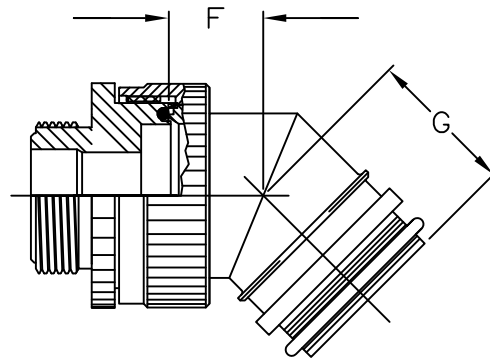
STRAIGHT ADAPTER - TYPE I



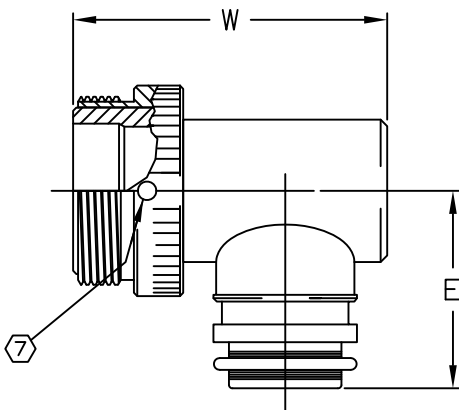
STRAIGHT ADAPTER - TYPE II



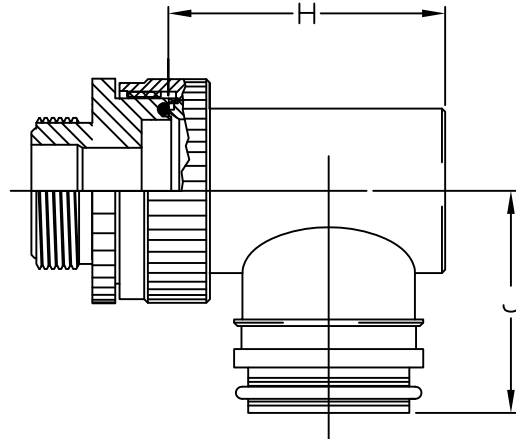
45° ADAPTER - TYPE I



45° ADAPTER - TYPE II



90° ADAPTER - TYPE I



90° ADAPTER - TYPE II

If this document is printed it becomes uncontrolled. Check for the latest revision

© 2014 Tyco Electronics Corporation. All rights reserved.

Raychem Adapters  
CUSTOMER DRAWING



TE Connectivity

DRAWING NO:

TXR24

CAD FILE: TXR24.DWG

CAGE CODE: 06090

RPN:

N/A

SIZE: A

SCALE:

THIRD ANGLE PROJ.

SHEET: 2\_OF\_3

TABLE I: ORDER NO.

| ORDER NO. | SHELL SIZE<br>⑥ | MAX ENTRY SIZE<br>TYPE I<br>⑤ | A UNIFIED THREAD<br>CLASS 2A | B DIA<br>MAX   | C MAX          | D MAX          | E MAX          | W MAX          |
|-----------|-----------------|-------------------------------|------------------------------|----------------|----------------|----------------|----------------|----------------|
| 08        | 08              | 04                            | 0.6250"-24 UNEF              | .78<br>[19.8]  | .94<br>[23.9]  | .87<br>[22.1]  | 1.07<br>[27.2] | 1.46<br>[37.2] |
| 10        | 10              | 06                            | 0.7500"-20 UNEF              | .91<br>[23.1]  | .96<br>[24.4]  | .90<br>[22.9]  | 1.13<br>[28.7] | 1.71<br>[43.6] |
| 12        | 12              | 08                            | 0.8750"-20 UNEF              | 1.03<br>[26.2] | .98<br>[24.9]  | .92<br>[23.4]  | 1.20<br>[30.5] | 1.78<br>[45.1] |
| 14        | 14              | 10                            | 1.0000"-20 UNEF              | 1.16<br>[29.5] | 1.02<br>[25.9] | .95<br>[24.1]  | 1.26<br>[32.0] | 1.90<br>[48.3] |
| 16        | 16              | 12                            | 1.1250"-18 UNEF              | 1.28<br>[32.5] | 1.04<br>[26.4] | .97<br>[24.6]  | 1.32<br>[33.5] | 2.06<br>[52.3] |
| 18        | 18              | 14                            | 1.2500"-18 UNEF              | 1.41<br>[35.8] | 1.06<br>[26.9] | 1.00<br>[25.4] | 1.38<br>[35.1] | 2.15<br>[54.7] |
| 20        | 20              | 14                            | 1.3750"-18 UNEF              | 1.53<br>[38.9] | 1.14<br>[29.0] | 1.02<br>[25.9] | 1.42<br>[36.1] | 2.28<br>[57.8] |
| 22        | 22              | 18                            | 1.5000"-18 UNEF              | 1.66<br>[42.2] | 1.16<br>[29.5] | 1.05<br>[26.7] | 1.51<br>[38.4] | 2.34<br>[59.4] |
| 24        | 24              | 18                            | 1.6250"-18 UNEF              | 1.78<br>[45.2] | 1.20<br>[30.5] | 1.07<br>[27.2] | 1.57<br>[39.9] | 2.40<br>[61.0] |


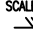

TABLE II - ENTRY SIZE

| ENTRY SIZE | Z DIA<br>+.010<br>-.020<br>[+0.25]<br>[-0.50] | S DIAMETER                     | Y DIA<br>#015<br>[#0.38] | F MAX          | G MAX          | H MAX          | J MAX          | K MAX          |
|------------|---|--------------------------------|--------------------------|----------------|----------------|----------------|----------------|----------------|
| 04         | .250<br>[ 6.35]                               | .376 [ 9.56]<br>.370 [ 9.39]   | .550<br>[13.97]          | N/A            | N/A            | N/A            | N/A            | N/A            |
| 05         | .312<br>[ 7.92]                               | .438 [11.13]<br>.432 [10.97]   | .612<br>[15.54]          | .77<br>[19.6]  | .93<br>[23.6]  | 1.19<br>[30.2] | 1.16<br>[29.5] | .80<br>[20.3]  |
| 06         | .375<br>[ 9.52]                               | .501 [12.73]<br>.495 [12.57]   | .675<br>[17.14]          | .77<br>[19.6]  | .93<br>[23.6]  | 1.19<br>[30.2] | 1.16<br>[29.5] | .80<br>[20.3]  |
| 07         | .437<br>[11.09]                               | .563 [14.31]<br>.556 [14.12]   | .737<br>[18.71]          | .80<br>[20.3]  | .95<br>[24.1]  | 1.38<br>[35.1] | 1.22<br>[31.0] | .92<br>[23.4]  |
| 08         | .500<br>[12.70]                               | .626 [15.91]<br>.619 [15.72]   | .800<br>[20.32]          | .80<br>[20.3]  | .95<br>[24.1]  | 1.38<br>[35.1] | 1.22<br>[31.0] | .92<br>[23.4]  |
| 10         | .625<br>[15.87]                               | .752 [19.11]<br>.742 [18.84]   | .925<br>[23.49]          | .84<br>[21.3]  | 1.00<br>[25.4] | 1.51<br>[38.4] | 1.35<br>[34.3] | 1.18<br>[30.0] |
| 12         | .750<br>[19.05]                               | .877 [22.28]<br>.867 [22.02]   | 1.050<br>[26.67]         | .86<br>[21.8]  | 1.01<br>[25.7] | 1.63<br>[41.4] | 1.40<br>[35.6] | 1.35<br>[34.3] |
| 14         | .875<br>[22.23]                               | 1.002 [25.46]<br>.991 [25.17]  | 1.175<br>[29.84]         | .88<br>[22.4]  | 1.04<br>[26.4] | 1.78<br>[45.2] | 1.46<br>[37.1] | 1.41<br>[35.8] |
| 16         | 1.000<br>[25.40]                              | 1.127 [28.63]<br>1.116 [28.34] | 1.300<br>[33.02]         | .91<br>[23.1]  | 1.06<br>[26.9] | 1.88<br>[47.8] | 1.53<br>[38.9] | 1.60<br>[40.6] |
| 18         | 1.125<br>[28.57]                              | 1.252 [31.81]<br>1.241 [31.52] | 1.425<br>[36.19]         | .93<br>[23.6]  | 1.09<br>[27.7] | 2.01<br>[51.1] | 1.59<br>[40.4] | 1.66<br>[42.2] |
| 20         | 1.250<br>[31.75]                              | 1.377 [34.98]<br>1.366 [34.69] | 1.550<br>[39.37]         | .98<br>[24.9]  | 1.13<br>[28.7] | 2.13<br>[54.1] | 1.78<br>[45.2] | 2.04<br>[51.8] |
| 22         | 1.375<br>[34.93]                              | 1.502 [38.15]<br>1.488 [37.79] | 1.675<br>[42.55]         | 1.03<br>[26.2] | 1.38<br>[35.1] | 2.29<br>[58.2] | 1.85<br>[47.0] | 2.23<br>[56.6] |
| 24         | 1.500<br>[38.10]                              | 1.627 [41.33]<br>1.613 [40.97] | 1.800<br>[45.72]         | 1.08<br>[27.4] | 1.44<br>[36.6] | 2.42<br>[61.5] | 1.92<br>[48.8] | 2.23<br>[56.6] |

If this document is printed it becomes uncontrolled. Check for the latest revision

© 2014 Tyco Electronics Corporation. All rights reserved.

Raychem Adapters  
CUSTOMER DRAWING

|   |            |             |       |   |   |        |  |
|---|------------|-------------|-------|---|---|--------|--|
|  |            | DRAWING NO: |       | TXR24   |   |        |  |
| CAD FILE:   | CAGE CODE: | RPN:        | SIZE: | SCALE:  | THIRD ANGLE PROJ.   | SHEET: |  |
| TXR24.DWG   | 06090      | N/A         | A     |  |  | 3_OF_3 |  |

# Mouser Electronics

Authorized Distributor

Click to View Pricing, Inventory, Delivery & Lifecycle Information:

[TE Connectivity:](#)

[TXR24AB00-1605AI](#) [TXR24AB00-1405AI](#) [TXR24AB00-1207AI](#)