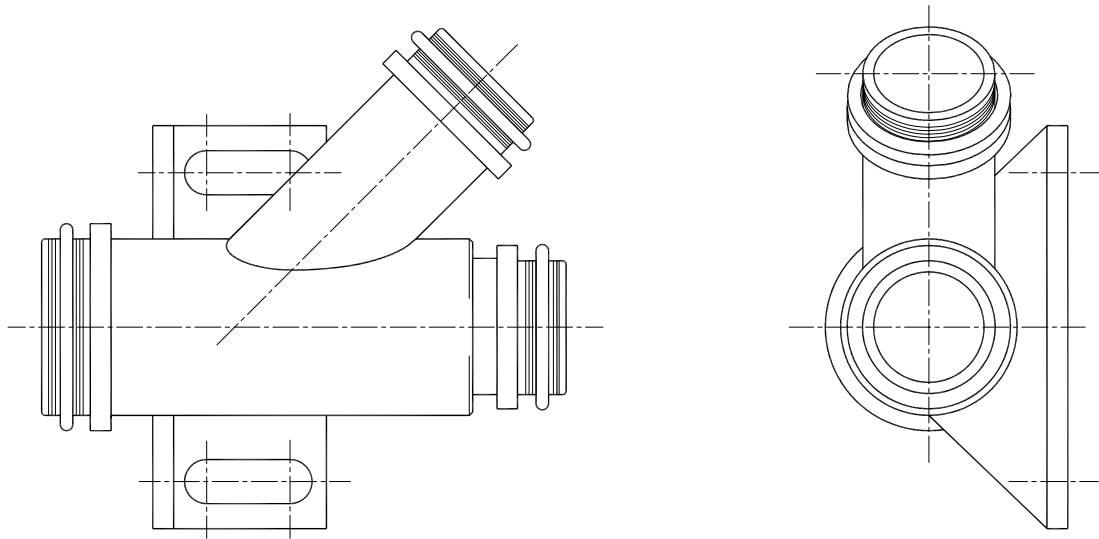


LTR	DESCRIPTION	DATE	APPROVED
A	INITIAL RELEASE DCR R040547	09/02/04	KJW



TRANSITION ASSEMBLY - 45°

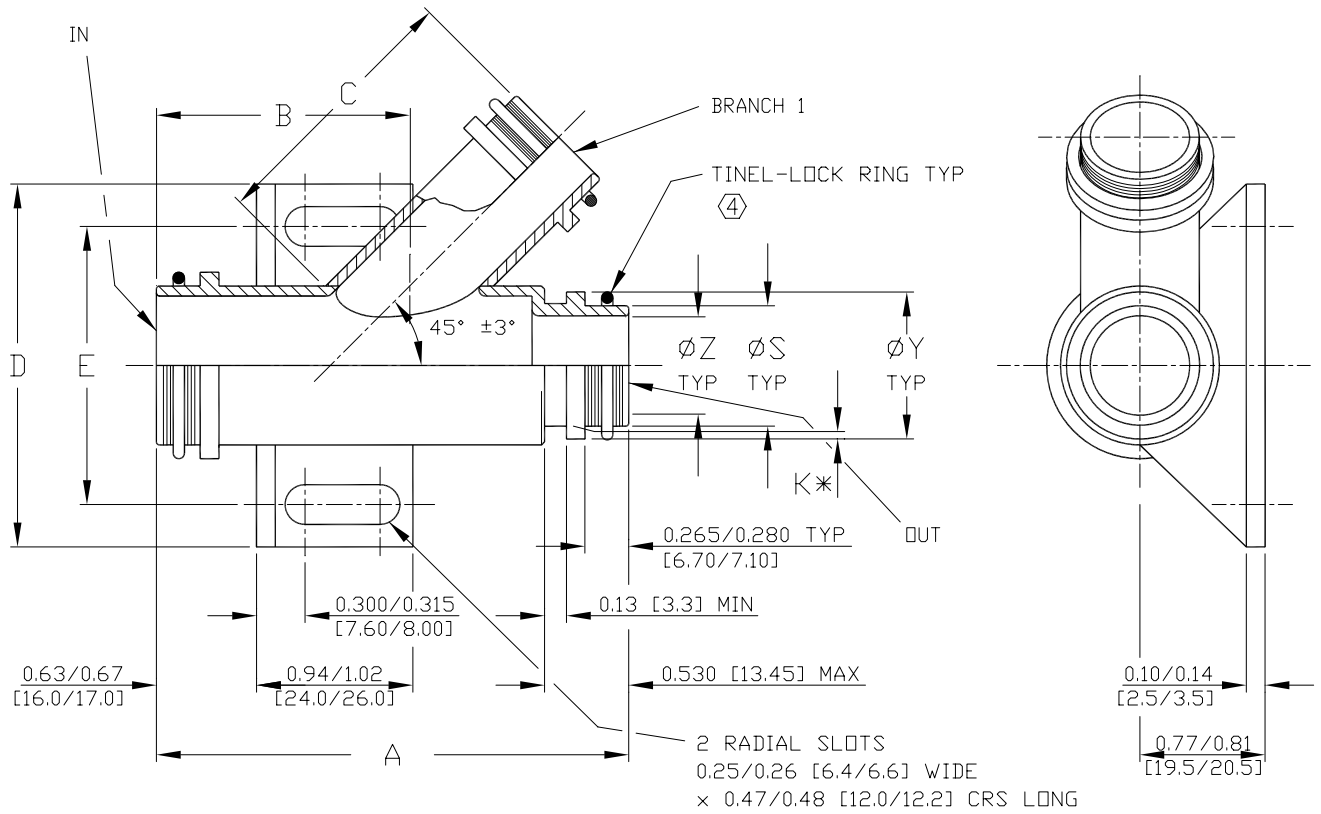
NOTES

1. THIS PRODUCT IS DESIGNED TO PROVIDE CONTINUOUS SHIELDING AT THE BRANCH OF AN ELECTRICAL HARNESS AND ACCEPT HEAT SHRINK LIPPED BOOTS (WHERE APPLICABLE).
2. TRANSITION MATERIAL IS ALUMINUM ALLOY PER QQ-A-225 OR EQUIVALENT.
3. SEE SHEETS 2 AND 3 FOR ORDERING INFORMATION AND PART NUMBERING SYSTEM.
- ④ SEE DRAWING TR FOR DETAIL ON TINEL-LOCK RING. RINGS ARE DESIGNED TO BE HEATED ELECTRICALLY. ALL RINGS ARE MARKED WITH THERMOCHROMIC PAINT WHICH CHANGES COLOUR WHEN INSTALLATION TEMPERATURE IS REACHED.
5. ADAPTER TO BE PERMANENTLY MARKED WITH CODE IDENTIFICATION NUMBER AND FULL PART NUMBER. (e.g. 06090-TXE-14-10-10-C).
6. TINEL-LOCK RING AND INTERNAL PTFE COATING IS TO BE SPECIFIED IN PART NUMBER WHEN ORDERING.
7. FOR ALTERNATIVE MATERIALS AND PLATING FINISHES CONTACT TYCO/RAYCHEM.

If this document is printed it becomes uncontrolled.
Check for the latest revision.

SPECIFICATION CONTROL DRAWING

UNLESS OTHERWISE SPECIFIED DIMENSIONS ARE IN INCHES. METRIC DIMENSIONS ARE IN BRACKETS. DECIMALS .X ± --- [mm] .XX ± --- [mm] .XXX ± --- [mm] ANGLES .X ± ---	DRAWN IRT	DATE JUNE 04	tyco Electronics	Tyco Electronics Corporation 300 Constitution Drive Menlo Park, CA, USA 94025	Raychem		
	CHECKED KJW	DATE JUNE 04					
	APPROVED KJW	DATE JUNE 04	TITLE TRANSITION ASSEMBLY - TINEL™ LOCK - 45°				
	APPROVED KJW	DATE JUNE 04					
CAD NAME 85001		THIRD ANGLE PROJECTION		SIZE A4	CODE IDENT. NO. 06090	DWG. NO. TXE-14-10-10CXI-F	REV A
DO NOT SCALE THIS DWG						SHEET 1 OF 3	



NOTE

1. ORDERING CODE IS:
IN = ENTRY SIZE 14, BRANCH 1 = ENTRY SIZE 10, OUT = ENTRY SIZE 10
2. * K DIMENSION IS USED ON OUT ENTRY SIZE 10 ONLY.

TABLE I				
A	B	C	D	E
±0.03 [±0.75]	±0.02 [±0.5]	±0.025 [±0.50]	±0.02 [±0.5]	±0.005 [±0.12]
2.970 [75.50]	1.59 [40.4]	1.695 [43.00]	2.28 [58.0]	1.750 [44.45]

TABLE II				
ENTRY SIZE	φZ +0.010 -0.020 [+0.25] [-0.50]	φS	φY ±0.015 [±0.38]	K MIN
10	0.625 [15.87]	0.752 [19.11] 0.742 [18.84]	0.925 [23.49]	0.065 [1.65]
14	0.875 [22.23]	1.002 [25.46] 0.991 [25.17]	1.175 [29.84]	-

SIZE A4	CODE IDENT. NO. 06090	DWG. NO. TXE-14-10-10CXI-F	REV A
DO NOT SCALE THIS DWG		SHEET 2 OF 3	

PART NUMBERING SYSTEM

TXE - 14 - 10 - 10 C A I - F

PREFIX _____
TINEL-LOCK TRANSITION

ENTRY SIZE: IN _____

ENTRY SIZE: BRANCH 1 OUT _____

ENTRY SIZE: OUT _____

FINISH (SEE S-CH00-0157-002) _____
C = ELECTROLESS NICKEL

④ BRAID DESIGNATOR _____
A = SINGLE LAYER 36 AWG
B = DOUBLE LAYER 36 AWG

I = RING WITH INSULATING LINING _____

F = PTFE INTERNAL COATING _____

SIZE	CODE IDENT. NO.	DWG. NO.	REV
A4	06090	TXE-14-10-10CXI-F	A
DO NOT SCALE THIS DWG		SHEET 3 OF 3	

Mouser Electronics

Authorized Distributor

Click to View Pricing, Inventory, Delivery & Lifecycle Information:

[TE Connectivity:](#)

[TXE-14-10-10-CAI-F](#)