

TE CONNECTIVITY (TE) RESERVES THE RIGHT TO CHANGE THIS DRAWING AT ANYTIME. USERS SHOULD EVALUATE THE SUITABILITY OF THE PRODUCT FOR THEIR APPLICATION.

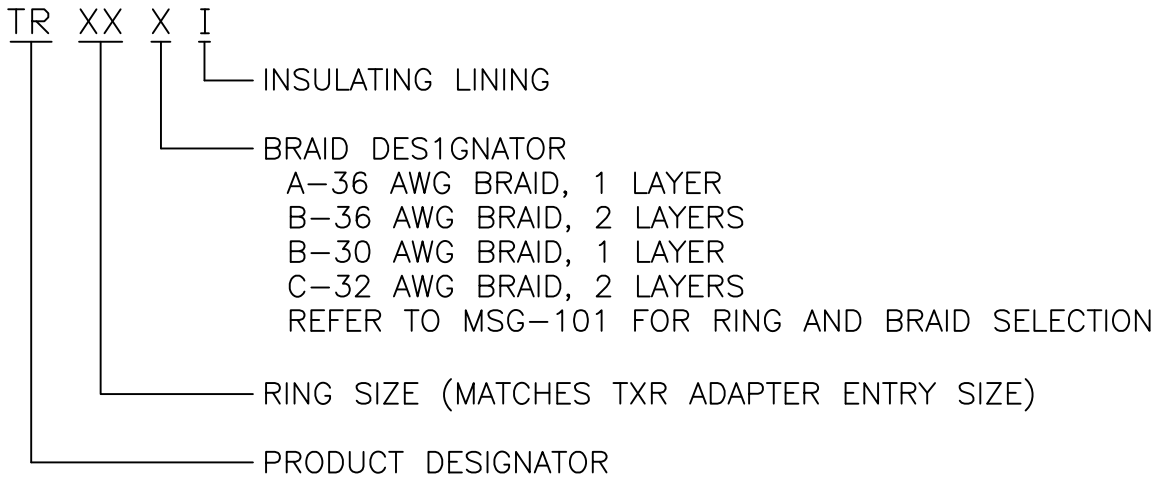
REVISIONS			
LTR	DESCRIPTION	DATE	APPROVED
D	REVISED PER ECO-12-021589	12/11/2012	G.WELLS
E	REVISED PER ECO-15-018009	12/11/2015	I.MYONG

SCOPE:

THIS SPECIFICATION PROVIDES A DESCRIPTION OF HEAT-TO-RECOVER METAL RINGS FOR TERMINATING BRAIDED SHIELD ONTO ADAPTORS DESIGNED FOR THAT PURPOSE.



PART DESCRIPTION:


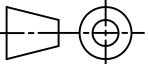


NOTES: UNLESS OTHERWISE SPECIFIED.

- 1 MATERIAL: NICKEL/TITANIUM HEAT-TO-RECOVER SHAP MEMORY ALLOY.
- 2 THE OUTSIDE SURFACE OF THE RING IS MARKED WITH TWO STRIPES OF THERMOCHROMIC PAINT WHICH CHANGE COLOR WHEN THE APPROPRIATE INSTALLATION TEMPERATURE IS REACHED.
- 3. "AI" RINGS ARE IDENTIFIED BY THE ABSENCE OF A RED OR BLUE DOT. REFER TO NOTE 4 BELOW.
- 4. "BI" RINGS ARE MARKED WITH A RED DOT. "CI" RINGS ARE MARKED WITH A BLUE DOT.
- 5. REFER TO MIP-101 FOR INSTALLATION PROCEDURE AND PERFORMANCE REQUIREMENT.
- 6 AVERAGE OF MEASUREMENTS TAKEN AT 3 POINTS, EQUALLY SPACED ON WELD AND OFF WELD.
- 7 SHAPE OF THE RING TO BE MOSTLY CIRCULAR. CERTAIN SIZES (LARGER) MAY HAVE MULTIPLE SIDES.

© 2015 TE CONNECTIVITY LTD. FAMILY OF COMPANIES. ALL RIGHTS RESERVED  
 TE CONNECTIVITY AND TE CONNECTIVITY (LOGO) ARE TRADEMARKS.  
 OTHER LOGOS PRODUCT AND/OR COMPANY NAMES MAY BE TRADEMARKS OF THEIR RESPECTIVE OWNERS.

Raychem Adapters  
 CUSTOMER DRAWING

UNLESS OTHERWISE SPECIFIED DIMENSIONS ARE NOT APPLIED.	DRAWN E. GOLDY	DATE 05-17-93	 TE Connectivity			
	REDRAWN T. NGUYEN	DATE 05-17-93				
DECIMAL TOLERANCES .XXX ± -- [ mm ] .XX ± -- [ mm ] .X ± -- [ mm ]	APPROVED I. MYONG	DATE 12-08-15	TITLE TINEL-LOCK RING			
	CAD FILE: TR.dwg					
ANGLE TOLERANCE .X ± --	THIRD ANGLE PROJECTION		SIZE A	CAGE CODE: 06090	DWG. NO. TR	REV: E
			SCALE: NONE	SHEET 1 OF 2		

PART DESCRIPTION	$\phi A$		$\phi D$
	MIN AS SUPPLIED	MAX FREE RECOVERED	
TR04AI	.397 [10.08]	.379 [9.63]	.073±.005 [1.85±.13]
TR04BI	.416 [10.57]	.398 [10.11]	.073±.005 [1.85±.13]
TR05AI	.460 [11.68]	.440 [11.18]	.073±.005 [1.85±.13]
TR05BI	.479 [12.17]	.458 [11.63]	.073±.005 [1.85±.13]
TR06AI	.523 [13.28]	.499 [12.68]	.073±.005 [1.85±.13]
TR06BI	.548 [13.92]	.523 [13.28]	.073±.005 [1.85±.13]
TR07AI	.586 [14.88]	.559 [14.20]	.073±.005 [1.85±.13]
TR07BI	.606 [15.39]	.578 [14.68]	.073±.005 [1.85±.13]
TR08AI	.650 [16.51]	.620 [15.75]	.073±.005 [1.85±.13]
TR08BI	.670 [17.02]	.639 [16.23]	.073±.005 [1.85±.13]
TR10AI	.782 [19.86]	.744 [18.90]	.073±.005 [1.85±.13]
TR10BI	.802 [20.37]	.763 [19.38]	.073±.005 [1.85±.13]
TR10CI	.830 [21.08]	.791 [20.09]	.073±.005 [1.85±.13]
TR12AI	.912 [23.17]	.867 [22.02]	.073±.005 [1.85±.13]
TR12BI	.931 [23.65]	.886 [22.50]	.073±.005 [1.85±.13]
TR12CI	.960 [24.38]	.912 [23.17]	.073±.005 [1.85±.13]
TR14AI	1.040 [26.42]	.988 [25.10]	.073±.005 [1.85±.13]
TR14BI	1.060 [26.92]	1.007 [25.58]	.073±.005 [1.85±.13]
TR14CI	1.089 [27.66]	1.033 [26.24]	.073±.005 [1.85±.13]
TR16AI	1.171 [29.74]	1.111 [28.22]	.073±.005 [1.85±.13]
TR16BI	1.191 [30.25]	1.129 [28.68]	.073±.005 [1.85±.13]
TR16CI	1.216 [30.89]	1.154 [29.31]	.073±.005 [1.85±.13]
TR18AI	1.301 [33.05]	1.234 [31.34]	.073±.005 [1.85±.13]
TR18BI	1.320 [33.53]	1.252 [31.80]	.073±.005 [1.85±.13]
TR20AI	1.430 [36.32]	1.357 [34.47]	.073±.005 [1.85±.13]
TR20BI	1.450 [36.83]	1.376 [34.95]	.073±.005 [1.85±.13]
TR22AI	1.543 [39.19]	1.463 [37.16]	.084±.005 [2.13±.13]
TR22BI	1.561 [39.65]	1.481 [37.62]	.084±.005 [2.13±.13]
TR24AI	1.673 [42.49]	1.587 [40.31]	.084±.005 [2.13±.13]
TR24BI	1.691 [42.95]	1.605 [40.77]	.084±.005 [2.13±.18]
TR28AI	1.932 [49.07]	1.838 [46.68]	.084±.005 [2.13±.13]
TR28BI	1.950 [49.53]	1.858 [47.19]	.084±.005 [2.13±.13]

© 2015 TE CONNECTIVITY LTD. FAMILY OF COMPANIES. ALL RIGHTS RESERVED  
 TE CONNECTIVITY AND TE CONNECTIVITY (LOGO) ARE TRADEMARKS.  
 OTHER LOGOS PRODUCT AND/OR COMPANY NAMES MAY BE TRADEMARKS OF THEIR RESPECTIVE OWNERS.

Raychem Adapters  
 CUSTOMER DRAWING

REDRAWN T. NGUYEN	DATE 12-07-2015	SIZE A	CAGE CODE: 06090	DWG. NO. TR	REV: E
CAD FILE: TR-CD		SCALE: NONE			SHEET 2 OF 2

# Mouser Electronics

Authorized Distributor

Click to View Pricing, Inventory, Delivery & Lifecycle Information:

[TE Connectivity:](#)

[TXR40AC00-1208AI](#)