

THIS DRAWING AND THE INFORMATION SET FORTH HEREON ARE THE PROPERTY OF TYCO ELECTRONICS AND ARE TO BE HELD IN TRUST AND CONFIDENCE. PUBLICATION, DUPLICATION, DISCLOSURE, OR USE FOR ANY PURPOSE NOT EXPRESSLY AUTHORIZED IN WRITING BY TYCO ELECTRONICS IS PROHIBITED.

REVISIONS

LTR	DESCRIPTION	DATE	APPROVED
A	RELEASED PER ECO-11-025206	12/16/11	B. WONG



SPIN-LOCK ADAPTER, HEAT SHRINKABLE MOLDED PART, SEALED

NOTES:

1. THIS PRODUCT IS DESIGNED TO TERMINATE A BRAIDED CABLE SHIELD AND A HEAT SHRINKABLE LIPPED BOOT TO A CONNECTOR AND PROVIDE STRAIN RELIEF.
2. SEE DRAWING "TR" FOR DETAIL ON TINEL-LOCK RING. RINGS ARE DESIGNED TO BE HEATED ELECTRICALLY. ALL RINGS ARE MARKED WITH THERMOCHROMIC PAINT WHICH CHANGES COLOR WHEN INSTALLATION TEMPERATURE IS REACHED.
3. ADAPTER TO BE PERMANENTLY MARKED WITH CODE IDENT. NO. AND PART NO. LESS RING DESIGNATOR (E.G.: 06090-XXXXXXXX-XXXX).
4. ADAPTER MATES TO MIL-C-38999, SERIES I & II, CLASS E & T; MS27466, MS27467 MS27468, MS27472, MS27473, MS27479, MS27480, MS27481, MS27484, MS27497 MS27652, MS27653, MS27656 CONNECTORS.
5. INSTALLATION PROCEDURE MIP-103.
6. PERFORMANCE SPECIFICATION MPS-103.
7. FOR ADDITIONAL ORDERING INFORMATION SEE CH00-0250-019.

If this document is printed it becomes uncontrolled. Check for the latest revision

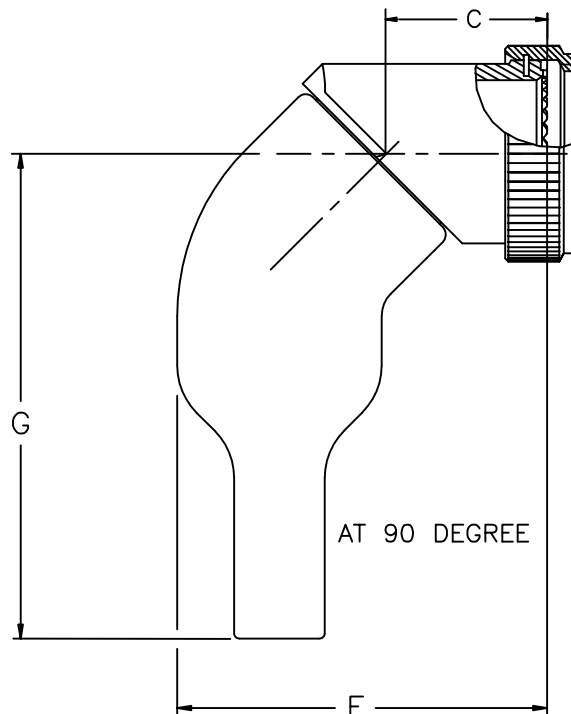
2011 Tyco Electronics Corporation. All rights reserved.

Raychem Adapters  
CUSTOMER DRAWING

UNLESS OTHERWISE SPECIFIED DIMENSIONS ARE IN INCHES AND TOLERANCES ARE: .XXX ± — .XX ± — ± —	DRAWN D JAIN	DATE 12OCT2011		TE Connectivity	
	CHECKED BERT W	DATE 12OCT2011			
MATERIAL SEE NOTES	APPROVED	DATE	TITLE SPIN-LOCK ADAPTER, HEAT SHRINKABLE MOLDED PART, SEALED, CODE 41		
	THIRD ANGLE PROJECTION		SIZE A	CAGE CODE: 06090	DWG. NO. SLM41
FINISH —	CAD NAME SLM41_a.dwg	RPN: —	REV A	SCALE: NONE	SHEET 1 OF 3

REVISIONS			
LTR	DESCRIPTION	DATE	APPROVED
A	RELEASED PER ECO-11-025206	12/16/11	B. WONG

e.g SLM 41AB - 1610A



Raychem Adapters  
CUSTOMER DRAWING

SIZE A	CAGE CODE: 06090	DWG. NO. SLM41	REV A
SCALE: NONE		SHEET 2 OF 3	

REVISIONS			
LTR	DESCRIPTION	DATE	APPROVED
A	RELEASED PER ECO-11-025206	12/16/11	B. WONG

TABLE I

ORDER NO.	SHELL SIZE		AVAILABLE ENTRY SIZES		A METRIC THD CLASS 6H	B DIA MAX	C MAX DIM
	SER I	SER II	SMALL	LARGE			
08	09	8	04	-	.438-28 UNEF	.61 [15.49]	.65 [16.6]
10	11	10	04	06	.562-24 UNEF	.73 [18.54]	.76 [19.20]
12	13	12	06	08	.688-24 UNEF	.85 [21.59]	.83 [21.2]
14	15	14	08	10	.812-20 UNEF	1.01 [25.65]	.94 [23.90]
16	17	16	10	12	.938-20 UNEF	1.14 [28.95]	.92 [23.37]
18	19	18	10	14	1.062-18 UNEF	1.28 [32.51]	1.37 [34.8]
20	21	20	12	16	1.188-18 UNEF	1.40 [35.56]	1.02 [25.08]
22	23	22	14	18	1.312-18 UNEF	1.54 [39.11]	1.13 [28.8]
24	25	24	16	20	1.438-18 UNEF	1.66 [42.16]	1.15 [29.23]

TABLE II

ORDER NO.	D MAX DIM	E MAX DIM	F MAX DIM	G MAX DIM	H MAX DIM	I MAX DIM	J MAX DIM
08	2.00 [50.7]	2.45 [62.23]	1.50 [38.02]	1.82 [46.2]	1.03 [26.16]	1.05 [26.67]	1.15 [29.20]
10	2.28 [57.91]	3.02 [76.75]	1.65 [41.91]	2.33 [59.18]	1.32 [33.50]	1.10 [27.9]	1.35 [34.40]
12	2.44 [62.0]	3.15 [76.70]	1.80 [45.80]	2.33 [59.18]	1.37 [34.80]	1.20 [30.5]	1.41 [35.9]
14	2.70 [68.50]	3.47 [88.1]	2.03 [51.6]	2.55 [64.77]	1.52 [38.61]	1.15 [29.21]	1.61 [41.1]
16	2.65 [67.40]	3.52 [89.5]	2.03 [51.56]	2.55 [64.77]	1.44 [36.5]	1.20 [30.5]	1.76 [44.8]
18	2.64 [67.1]	3.85 [97.90]	2.23 [56.64]	2.90 [73.66]	1.77 [44.96]	1.15 [29.21]	1.89 [48.10]
20	2.94 [74.8]	3.89 [98.81]	2.24 [56.90]	2.90 [73.66]	1.77 [44.96]	1.20 [30.5]	1.95 [49.6]
22	3.43 [87.12]	4.43 [112.52]	2.52 [64.01]	3.36 [85.34]	2.16 [54.86]	1.20 [30.5]	2.23 [56.66]
24	3.53 [89.65]	4.52 [114.79]	2.61 [66.4]	3.36 [85.34]	2.16 [54.86]	1.20 [30.5]	2.33 [59.18]

TABLE III

ENTRY SIZE	MOLDED PART DESCRIPTION	S DIA	Z +.010 -.020
04	245W032	.376 [9.55] .370 [9.40]	.250 [6.35]
06	245W042	.501 [12.73] .495 [12.57]	.375 [9.53]
08	245W042	.626 [15.90] .619 [15.72]	.500 [12.70]
10	245W053	.752 [19.10] .742 [18.85]	.625 [15.88]
12	245W053	.877 [22.28] .867 [22.02]	.750 [19.05]
14	245W063	1.002 [25.45] .991 [25.17]	.875 [22.23]
16	245W063	1.127 [28.63] 1.116 [28.35]	1.000 [25.40]
18	245W074	1.252 [31.80] 1.241 [31.52]	1.125 [28.58]
20	245W074	1.377 [34.98] 1.366 [34.70]	1.250 [31.75]

Raychem Adapters

CUSTOMER DRAWING

SIZE A	CAGE CODE: 06090	DWG. NO. SLM41	REV A
			SHEET 3 OF 3

# Mouser Electronics

Authorized Distributor

Click to View Pricing, Inventory, Delivery & Lifecycle Information:

[TE Connectivity:](#)

[SLM41AB-1612A-3/42-0](#)