



THIS DRAWING AND THE INFORMATION SET FORTH HERE-ON ARE THE PROPERTY OF TYCO ELECTRONICS CORPORATION, AND ARE TO BE HELD IN TRUST AND CONFIDENCE. PUBLICATION, DUPLICATION, DISCLOSURE, OR USE FOR ANY PURPOSE NOT EXPRESSLY AUTHORIZED IN WRITING BY TYCO ELECTRONICS CORPORATION IS PROHIBITED.

REVISIONS			
LTR	DESCRIPTION	DATE	APPROVED
A	REVISED PER ECN T-21050	04OCT96	T.SEATON
B	REVISED PER ECN T-22651	12AUG99	T.SEATON
C	PER ECO-09-002668	Feb/13/09	M. HIGGY

NOTES:

- THIS INSERT IS DESIGNED FOR USE IN TYCO ELECTRONICS CONNECTOR HOUSINGS MTC100-XH2-XXX AND MTC100Q-XH2-XXX.
- PART DESCRIBED HEREON IS SUPPLIED AS SHOWN. IF CONTACTS, SEALING PLUGS, AND TOOLS ARE DESIRED, THE FOLLOWING MODIFICATION NUMBER IS TO BE ADDED TO THE PART NUMBER ON THE KIT PACKAGING LABEL ONLY:

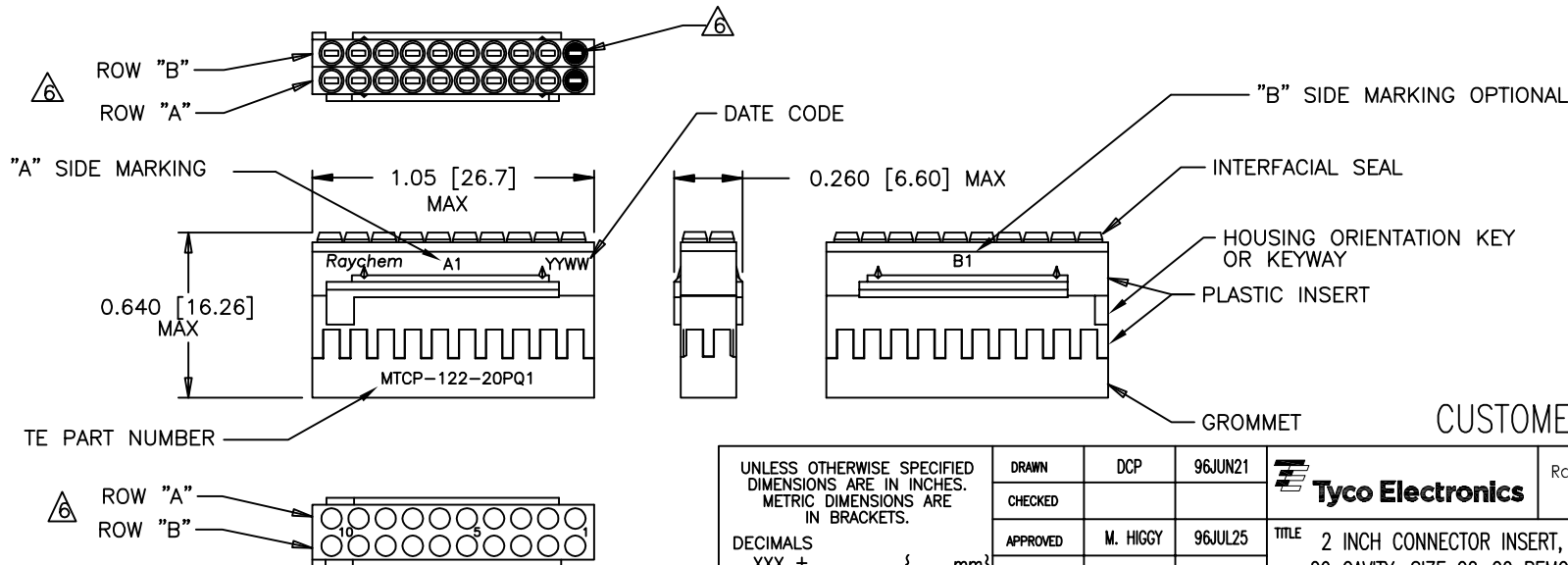
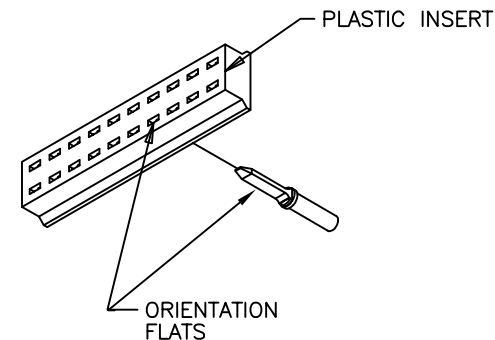
MOD NO.	DESCRIPTION
022	WITH CONTACTS AND SEALING PLUGS
023	WITH CONTACTS, SEALING PLUGS AND TOOL

REFERENCE TYCO ELECTRONICS INFORMATION DRAWING D-659-0097 FOR CRIMP TOOLS OR ADDITIONAL CONTACTS, SEALING PLUGS OR TOOLS.

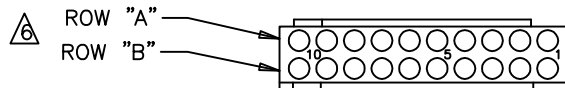
- GROMMET DESIGNED TO SEAL ON WIRES HAVING AN INSULATION DIAMETER OF 0.030 TO 0.065.
- PERFORMANCE:  
THIS PRODUCT MEETS THE REQUIREMENTS OF TYCO ELECTRONICS SPECIFICATION C-6114.

- MATERIALS:  
 A) PLASTIC INSERT HIGH GRADE POLYARYLENE THERMOPLASTIC  
 B) GROMMET FLUOROSILICONE PER MIL-DLT-25988  
 C) INTERFACIAL SEAL FLUOROSILICONE PER MIL-DLT-25988  
 D) RETENTION CLIPS (20) COPPER ALLOY 172 PER ASTM B194 (QQ-C-533)  
 (INSIDE PLASTIC INSERT)

△ NUMBER ONE (1) CAVITIES ARE MARKED IN CONTRASTING COLOR. ROWS "A" AND "B" ARE AN INTEGRAL PART OF THE INSERT. ROWS "A" AND "B" ARE IDENTIFIED ON THE SIDE OF THE INSERT AS "A1" AND B1". "B" SIDE MARKING OPTIONAL.



TE PART NUMBER



CUSTOMER DRAWING

UNLESS OTHERWISE SPECIFIED DIMENSIONS ARE IN INCHES. METRIC DIMENSIONS ARE IN BRACKETS.	DRAWN	DCP	96JUN21		Raychem Interconnect 300 Constitution Drive Menlo Park, CA 94025 U.S.A.									
	CHECKED													
	DECIMALS	.XXX ±	.XX ±	N/A	TITLE	2 INCH CONNECTOR INSERT, PIN, PRIMARY, 20 CAVITY, SIZE 22-20 REMOVABLE CONTACT MTC100 SERIES								
	ANGLES	.X ±												
WEIGHT	2.06 g MAX.	CAD NAME	MTCP-122-20PQ1	APPROVED	M. HIGGY	96JUL25	SIZE	C	CAGE CODE:	06090	DWG. NO.	MTCP-122-20PQ1	REV	C
THIRD ANGLE PROJECTION				DO NOT SCALE THIS DRAWING		SHEET 1 OF 1								

If this document is printed it becomes uncontrolled. Check for the latest revision



DWG NO. MTCP-122-20PQ1 SHEET 1

# Mouser Electronics

Authorized Distributor

Click to View Pricing, Inventory, Delivery & Lifecycle Information:

[TE Connectivity:](#)

[MTCP-122-20PQ1](#)