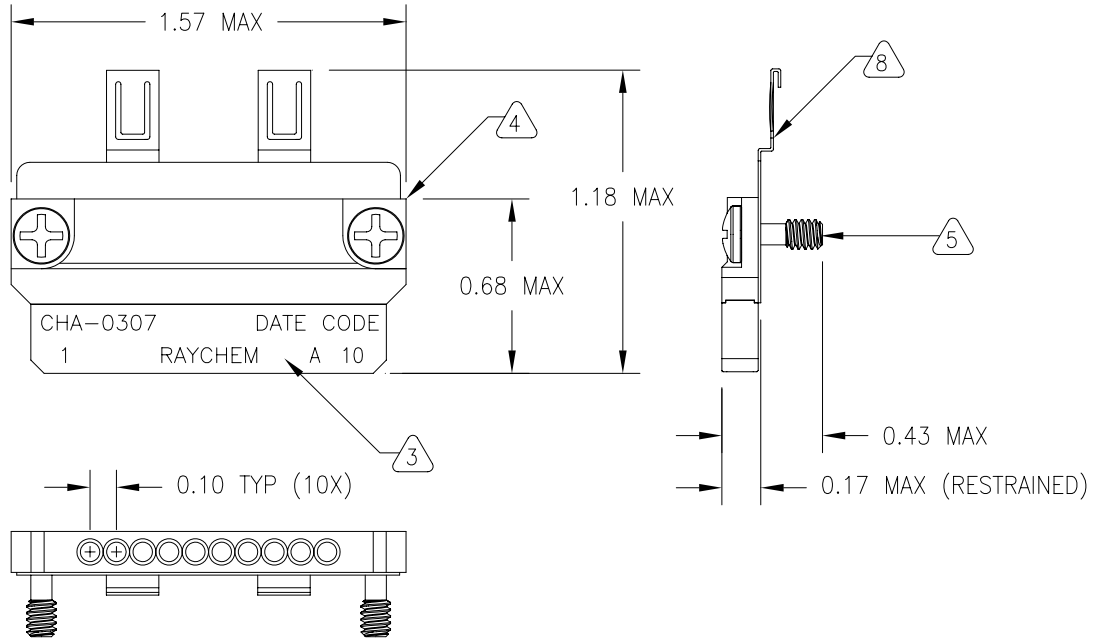


If this document is printed it becomes uncontrolled.
Check for the latest revision.

REVISION		
REV	DESCRIPTION	DATE
C	REVISED PER DCR C041089	11OCT2004



Notes:

- Application: Electroless Nickel MTC SH1 Plug Shells
- For Use With MIL-C 39029/58-360, Size 22 Contacts
- End Cap: Glass Filled Nylon, Flame Retardant, Black
- Main Body: Aluminum, Electroless Nickel Plated
- Screws: 4-40 Phillips Head, A-286 CRES, Passivated, Captive, Self-Locking
- Electrical Contacts: Brass / Beryllium Copper, Gold Plated
- Markings: High Contrast Ink
- Bus Bar, Beryllium Copper, Electroless Nickel Plated
- Meets Raychem Specification C-6114 Requirements
- Contact Cavity Bore Dia, Plated: .0685/0690 (REF)

© 2004 TYCO ELECTRONICS CORPORATION. ALL RIGHTS RESERVED.

SPECIFICATION CONTROL DRAWING

UNLESS OTHERWISE SPECIFIED DIMENSIONS ARE INCHES. METRIC DIMENSIONS ARE IN BRACKETS.	DRAWN T RATZLAFF	DATE 26MAR2004	tyco Electronics	TYCO ELECTRONICS 300 CONSTITUTION DRIVE MENLO PARK, CA 94025	Raychem
	DECIMAL TOLERANCES .XXX ± 0.005 [0.13 mm] .XX ± 0.010 [0.25 mm] .X ± 0.020 [0.50 mm]	MATERIAL SEE NOTES			
ANGLE TOLERANCE .X ± 0.5 DEG.	FINISH SEE NOTES	THIRD ANGLE PROJECTION	SIZE A	CAGE CODE 06090	DWG. NO. CHA-0307
WEIGHT (NOM) LBS. 0.0137 [6.2 gm]	DO NOT SCALE THIS DRAWING		SHEET 1 OF 1		
CAD FILE C041089.DWG					

Mouser Electronics

Authorized Distributor

Click to View Pricing, Inventory, Delivery & Lifecycle Information:

[TE Connectivity:](#)

[CHA-0307](#) [CHA-0226-003CS2566](#)