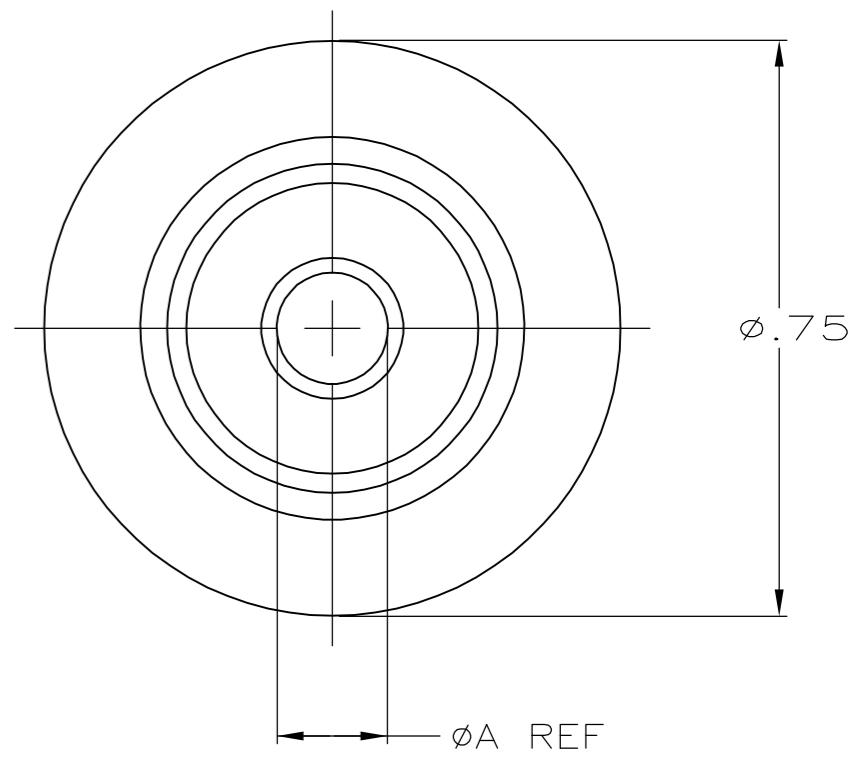
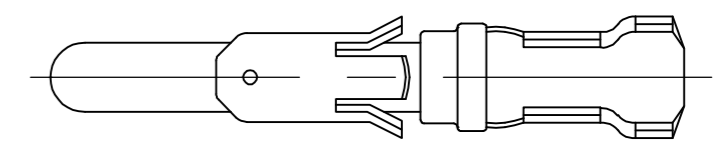
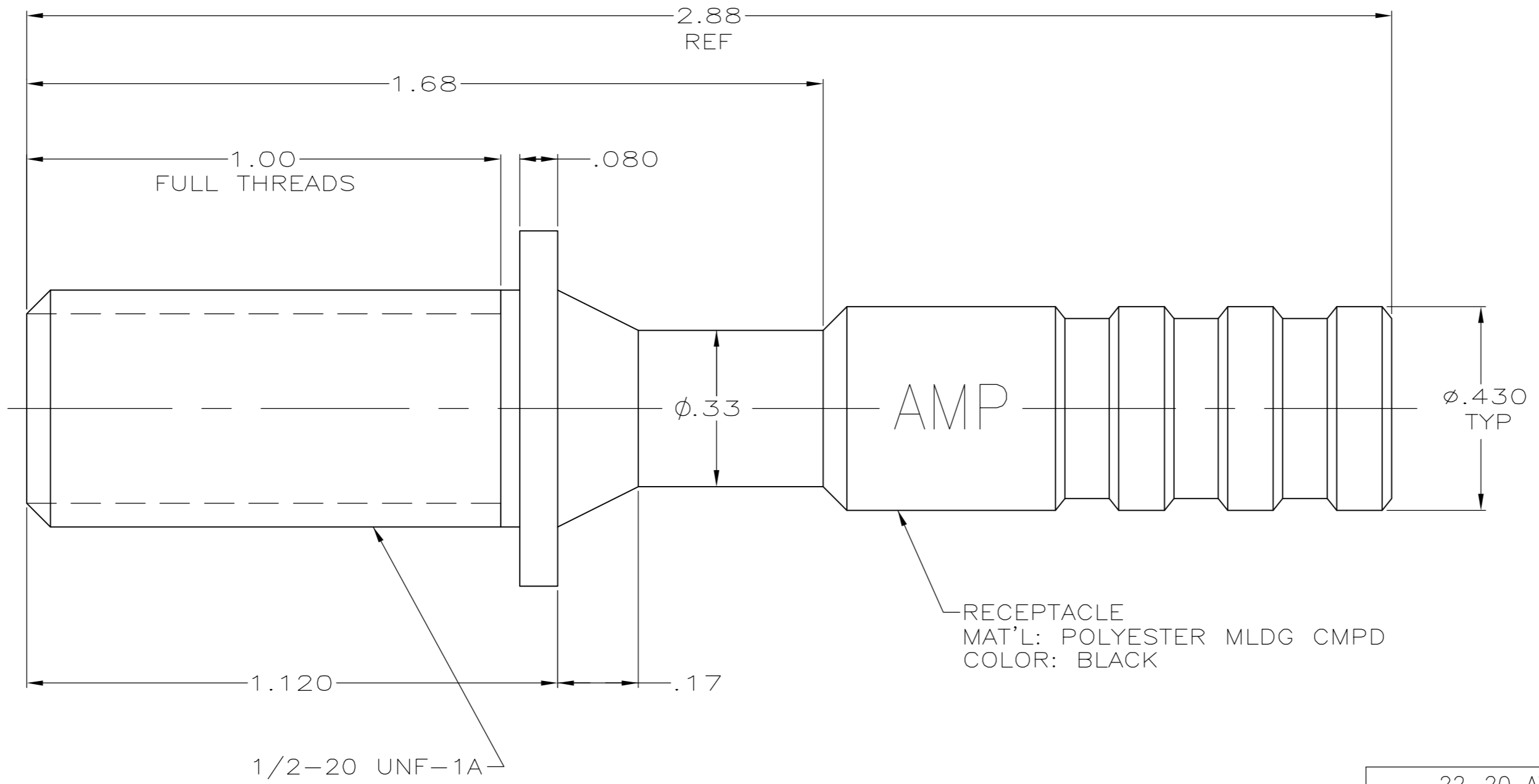


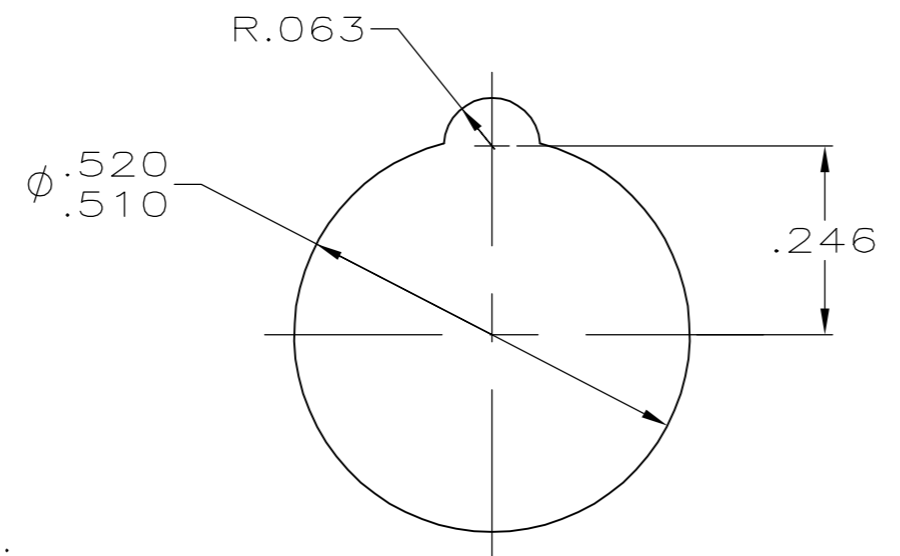
THIS DRAWING IS UNPUBLISHED. RELEASED FOR PUBLICATION - N/A .
 © COPYRIGHT N/A BY TYCO ELECTRONICS CORPORATION. ALL RIGHTS RESERVED.

LOC	DIST	REVISIONS					
DF	S0	P	LTR	DESCRIPTION	DATE	DWN	APVD
		G		REV PER OH14-0191-05	05-05	AA	DE



NUT
 MAT'L: POLYESTER
 MLDG CMPD
 COLOR: BLACK

RECEPTACLE
 MAT'L: POLYESTER MLDG CMPD
 COLOR: BLACK



MOUNTING HOLE

1. MAX VOLTAGE:
20 KVDC
8 KVDC RMS 60 HZ
2. USE AMP CRIMP TOOL: #90067-2
3. NUT AND PIN CONTACT SUPPLIED WITH KIT UNASSEMBLED.

	22-20 AWG	.302	1-66400-0	5-862197-4
	18-16 AWG	.185	1-66099-5	5-862197-3
	18-16 AWG	.302	1-66099-5	5-862197-2
	22-20 AWG	.185	1-66400-0	5-862197-1
OBSOLETE	14 AWG	.302	66361-2	862197-8
OBSOLETE	14 AWG	.185	66361-2	862197-7
	-	.302	-	862197-6
	-	.185	-	862197-5
	22-20 AWG	.302	66400-1	862197-4
	18-16 AWG	.185	66099-2	862197-3
	18-16 AWG	.302	66099-2	862197-2
	22-20 AWG	.185	66400-1	862197-1
	WIRE GAGE REF	DIM A REF	PIN CONTACT TYPE III+ L.P. QTY = 1	PART NUMBER

THIS DRAWING IS A CONTROLLED DOCUMENT.

DIMENSIONS: INCHES	TOLERANCES UNLESS OTHERWISE SPECIFIED:	DWN C.C.THOMAS 04-MAY-01	Tyco Electronics Corporation Harrisburg, Pa 17105-3608
		CHK D. EABY 04-MAY-01	
		APVD D. EABY 04-MAY-01	
		PRODUCT SPEC	
MATERIAL	FINISH	APPLICATION SPEC	NAME RECEPTACLE LGH
		WEIGHT	SIZE A2
		CUSTOMER DRAWING	CAGE CODE 00779
			DRAWING NO C=862197
			RESTRICTED TO
			SCALE 4:1
			SHEET 1 OF 1
			REV G

Mouser Electronics

Authorized Distributor

Click to View Pricing, Inventory, Delivery & Lifecycle Information:

[TE Connectivity:](#)

[862197-6](#)