

ECN#	APP'D.	DATE	REV.
10417	TAM	6/3/94	0
ECO-09-026495	AEG	11DEC09	A1

SAFETY ORGANIZATION(S):

THIS MODULE HAS BEEN FORMALLY RECOGNIZED, CERTIFIED OR APPROVED BY THE LISTED AGENCY. THEREFORE, ALL TEST/REQUIREMENTS SPECIFIED IN THE LATEST REVISION OF THE FOLLOWING AGENCY STANDARDS HAVE BEEN MET:

UL RECOGNIZED UL 498
 CSA CERTIFIED CSA 22.2, NO.0,0.4,42
 VDE APPROVED VDE 625

OPERATING SPECIFICATIONS:

LINE VOLTAGE/CURRENT: 5 AMP, 120 VAC
 5 AMP./40°C, 250 VAC
 LINE FREQUENCY: 47-440Hz

RELIABILITY SPECIFICATIONS:

STORAGE TEMPERATURE: -55°C TO +85°C
 HUMIDITY: 21 DAYS @ 40°C 95% RH
 CURRENT OVERLOAD TEST: 6 TIMES RATED CURRENT FOR 8 SECONDS

TEST SPECIFICATIONS:

LINE/GROUND AND LINE/LINE 6000Mb (MIN) AT 100VDC
 INSULATION RESISTANCE: 20°C AND 50% RH

RECOMMENDED RECEIVING INSPECTION HIPOT:

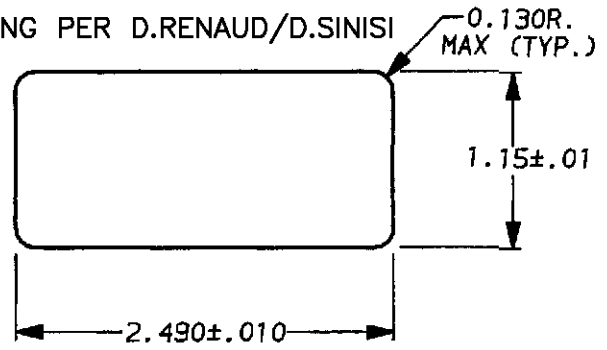
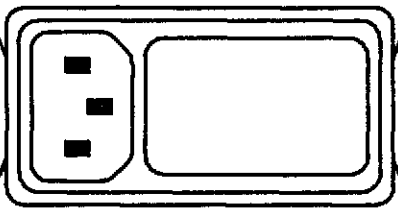
LINES TO GROUND: 1500 VAC FOR 1 MINUTE
 LINE TO LINE: 1450 VDC FOR 1 MINUTE

FILTER APPROVAL:

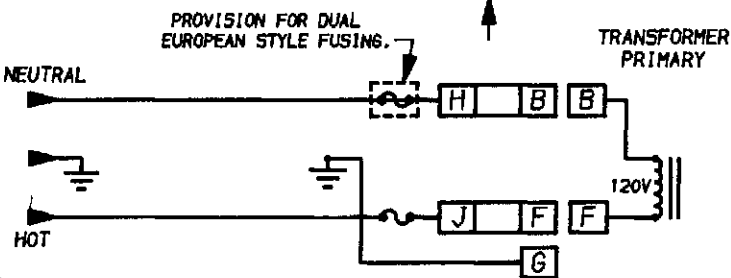
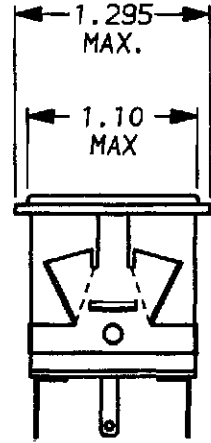
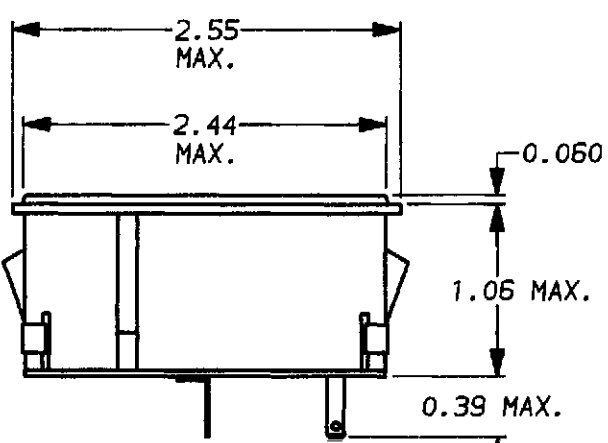
THE BEST WAY TO SELECT AND QUALIFY A FILTER IS FOR YOUR ENGINEERING TO TEST THE UNIT IN YOUR EQUIPMENT.

U.S. PATENT No. 4,488,201

⚠️ OBSOLETE PARTS: OBSOLETE CIS STREAMLINING PER D.RENAUD/D.SINISI



RECOMMENDED PANEL CUT-OUT



2-4609128-7 OBSOLETE ⚠️
 2-6609128-7

	UNLESS OTHERWISE SPECIFIED, TOLERANCE TO BE ±.025	 LIBERTYVILLE, IL 60048 POWER LINE FILTER	DATE: 4-18-94	CATALOG NO.	REV.
	MATERIAL & FINISH: AS SUPPLIED		APPROV.		SVM1C A1
	This document is proprietary to CORCOM INC. and is not to be reproduced nor used for manufacturing purposes except on CORCOM'S prior written consent.		CAD NO.		SVM1C.00

Mouser Electronics

Authorized Distributor

Click to View Pricing, Inventory, Delivery & Lifecycle Information:

[TE Connectivity:](#)

[6VM1C](#)