

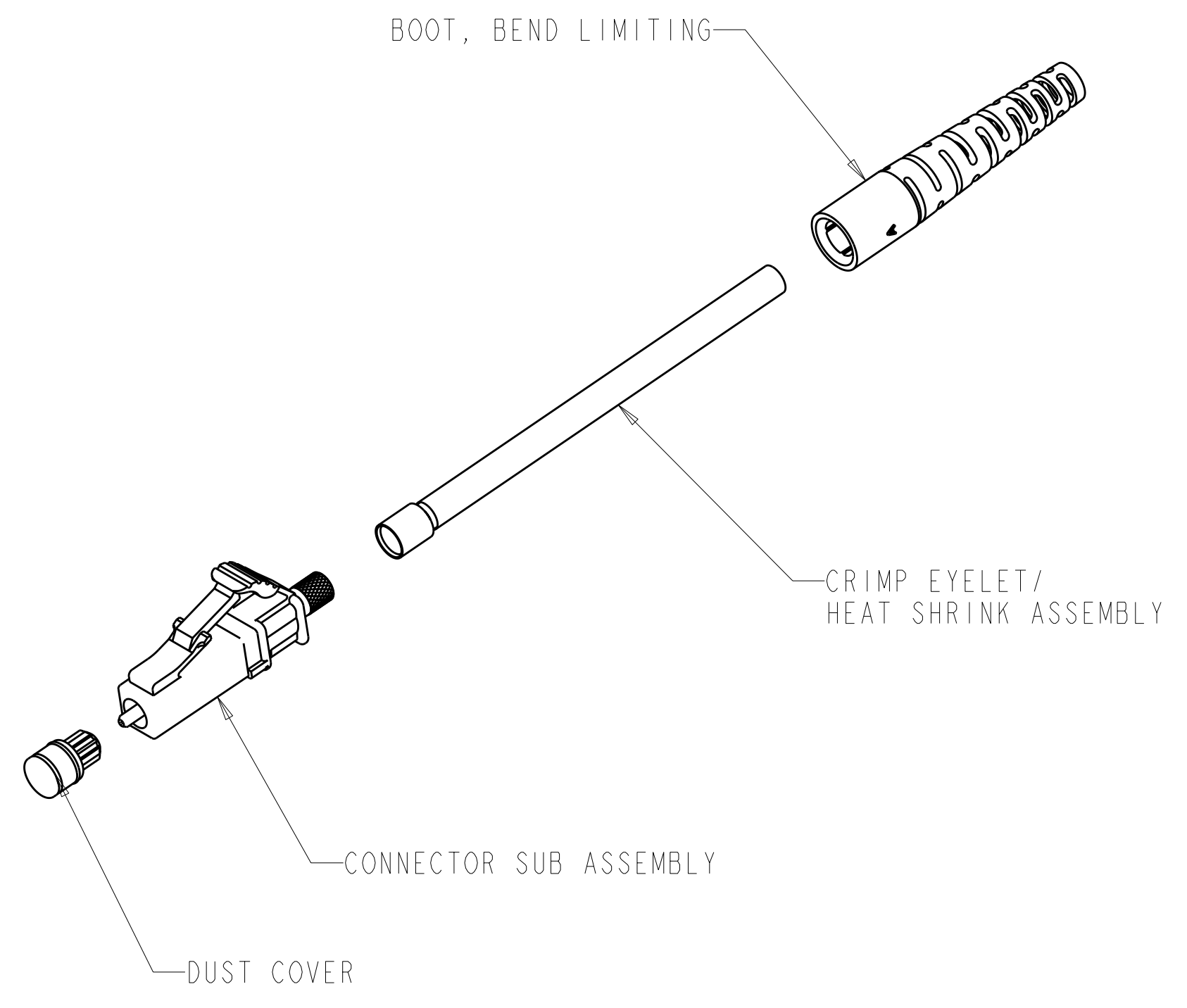
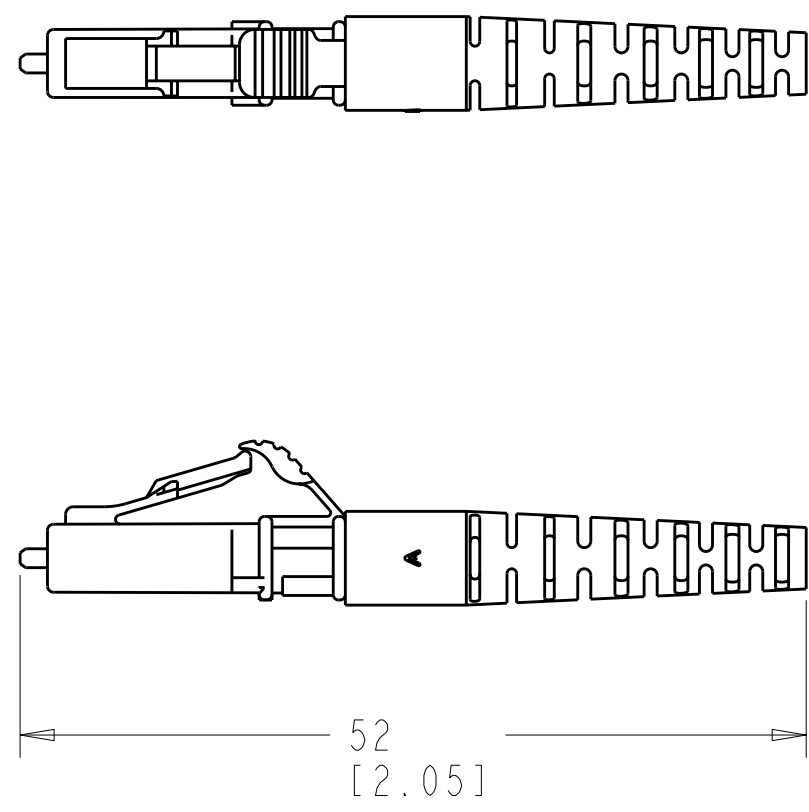
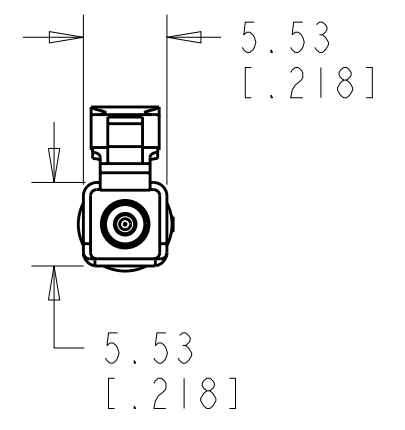
THIS DRAWING IS UNPUBLISHED. RELEASED FOR PUBLICATION
 © COPYRIGHT BY TYCO ELECTRONICS CORPORATION. ALL INTERNATIONAL RIGHTS RESERVED.

LOC	DIST	REVISIONS			
P	LTR	DESCRIPTION	DATE	DWN	APVD
	A	ECO-07-016319	17JUL2007	DHR	DHR
	B	REV PER ECR-10-010066	20MAY2010	IL	CT

1 MATERIAL: PROTECTIVE COVER: TPE, COLOR:BLACK, UL 94 HB. *
 FERRULE SUB ASSEMBLY: ZIRCONIA/ALUM ALLOY
 COMPRESSION SPRING: STAINLESS STEEL.
 FRONT HOUSING: PPSU, COLOR:BLUE, UL 94 V-0. *
 REAR BODY: ALUM ALLOY
 BOOT: PP, COLOR:BLUE, UL 94 V-0. *
 CRIMP EYELET/HEAT SHRINK ASSY: ALUM. ALLOY, HEAT SHRINK: POLYOLEFIN, UL VW-1.
 *RATED AT QUALIFYING THICKNESS.

2 BULK PACKAGED

3. THIS IS A NON-PULL PROOF LC CONNECTOR.
 IT IS DESIGNED FOR USE WITH TIGHT CONSTRUCTION OPTICAL CABLE.
 UNDER LOADS YOU MAY SEE ENDFACE ABRASIONS.



2	6828095-2
	6828095-1
PART NUMBER	

<small>THIS DRAWING IS A CONTROLLED DOCUMENT FOR TYCO ELECTRONICS CORPORATION IT IS SUBJECT TO CHANGE AND THE CONTROLLING ENGINEERING ORGANIZATION SHOULD BE CONTACTED FOR THE LATEST REVISION.</small>		DWN E_HALEY 14OCT2005	Tyco Electronics Corporation Shanghai, China	
DIMENSIONS: mm [INCHES]		CHK D_ROHDE 14OCT2005	NAME CONNECTOR KIT, LC, SIMPLEX SM, JUMPER, TIGHT JACKET STYLE, 1.6-2.0mm	
TOLERANCES UNLESS OTHERWISE SPECIFIED: 0 PLC ±- 1 PLC ±0.1/[0.004] 2 PLC ±0.01/[0.0004] 3 PLC ±- 4 PLC ±- ANGLES ±- FINISH ±-		APVD D_ROHDE 14OCT2005	RESTRICTED TO	
MATERIAL 		PRODUCT SPEC -	SIZE A2	CAGE CODE C-6828095
		APPLICATION SPEC -	SCALE 3:1 SHEET 1 OF 1 REV B	
		WEIGHT -	CUSTOMER DRAWING	

Mouser Electronics

Authorized Distributor

Click to View Pricing, Inventory, Delivery & Lifecycle Information:

[TE Connectivity:](#)

[6828095-1](#)