

THIS DRAWING IS UNPUBLISHED. RELEASED FOR PUBLICATION 20
 © COPYRIGHT 20 ALL RIGHTS RESERVED.

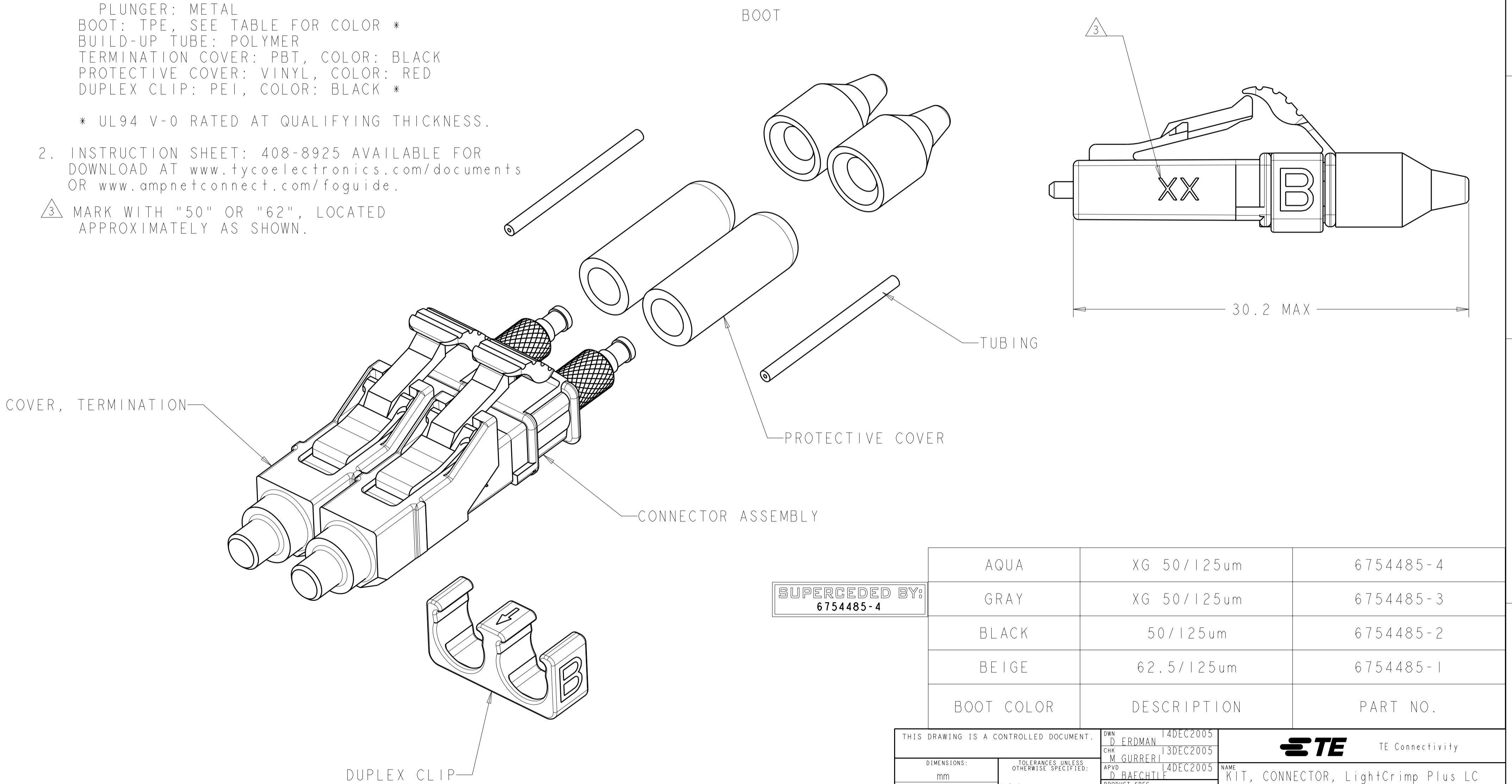
LOC	DIST	REVISIONS					
CE	00	P	LTR	DESCRIPTION	DATE	DWN	APVD
		F3		REVISED PER ECO-11-005139	27APR2011	RK	HMR

1 MATERIAL:
 CONNECTOR ASSEMBLY:
 CONNECTOR HOUSING: PPSU, COLOR: BEIGE *
 REAR BODY: METAL
 COMPRESSION SPRING: METAL
 FERRULE SUB ASSEMBLY: ZIRCONIA/ METAL
 INTERNAL SPLICE: PEI *
 PLUNGER: METAL
 BOOT: TPE, SEE TABLE FOR COLOR *
 BUILD-UP TUBE: POLYMER
 TERMINATION COVER: PBT, COLOR: BLACK
 PROTECTIVE COVER: VINYL, COLOR: RED
 DUPLEX CLIP: PEI, COLOR: BLACK *

* UL94 V-0 RATED AT QUALIFYING THICKNESS.

2. INSTRUCTION SHEET: 408-8925 AVAILABLE FOR
 DOWNLOAD AT www.tycoelectronics.com/documents
 OR www.amphenconnect.com/foguide.

3 MARK WITH "50" OR "62", LOCATED
 APPROXIMATELY AS SHOWN.



SUPERCEDED BY:
6754485-4

BOOT COLOR	DESCRIPTION	PART NO.
AQUA	XG 50/125um	6754485-4
GRAY	XG 50/125um	6754485-3
BLACK	50/125um	6754485-2
BEIGE	62.5/125um	6754485-1

THIS DRAWING IS A CONTROLLED DOCUMENT.

DIMENSIONS: mm	TOLERANCES UNLESS OTHERWISE SPECIFIED: 0 PLC ±- 1 PLC ±0.5 2 PLC ±0.13 3 PLC ±0.013 4 PLC ±0.0001 ANGLES ± FINISH	DWN D. ERDMAN 14DEC2005 CHK M. GURRERI 13DEC2005 APVD D. BAECHTLE 14DEC2005	TE Connectivity	
MATERIAL		PRODUCT SPEC APPLICATION SPEC WEIGHT	NAME: KIT, CONNECTOR, LightCrimp Plus LC DUPLEX, MM 250-900um BUFFER SIZE: A2 CAGE CODE: 00779 DRAWING NO: 6754485 RESTRICTED TO: -	
CUSTOMER DRAWING		SCALE: 4:1	SHEET: 1 OF 1	REV: F3

Mouser Electronics

Authorized Distributor

Click to View Pricing, Inventory, Delivery & Lifecycle Information:

[TE Connectivity Divested:](#)

[6754485-1](#)