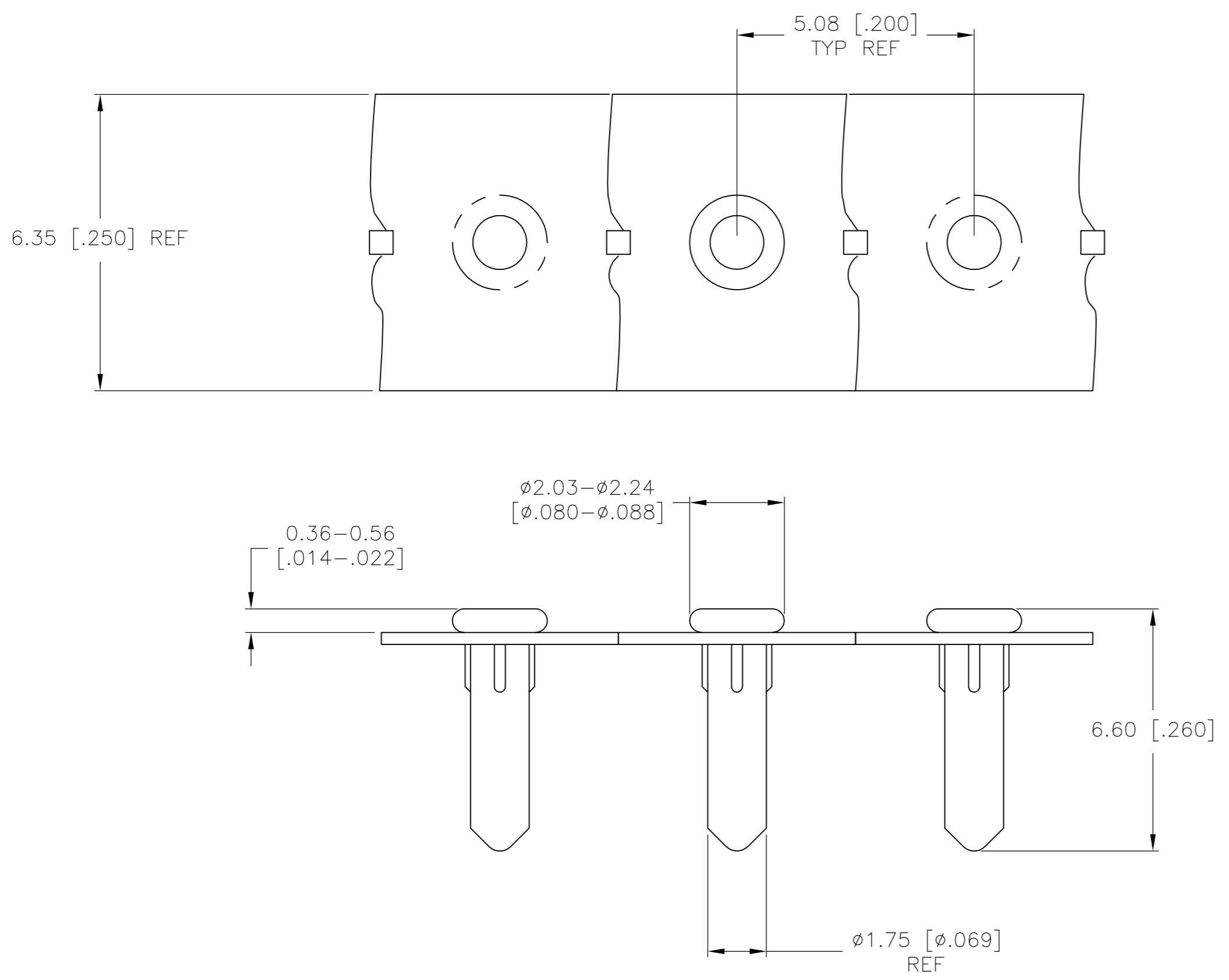
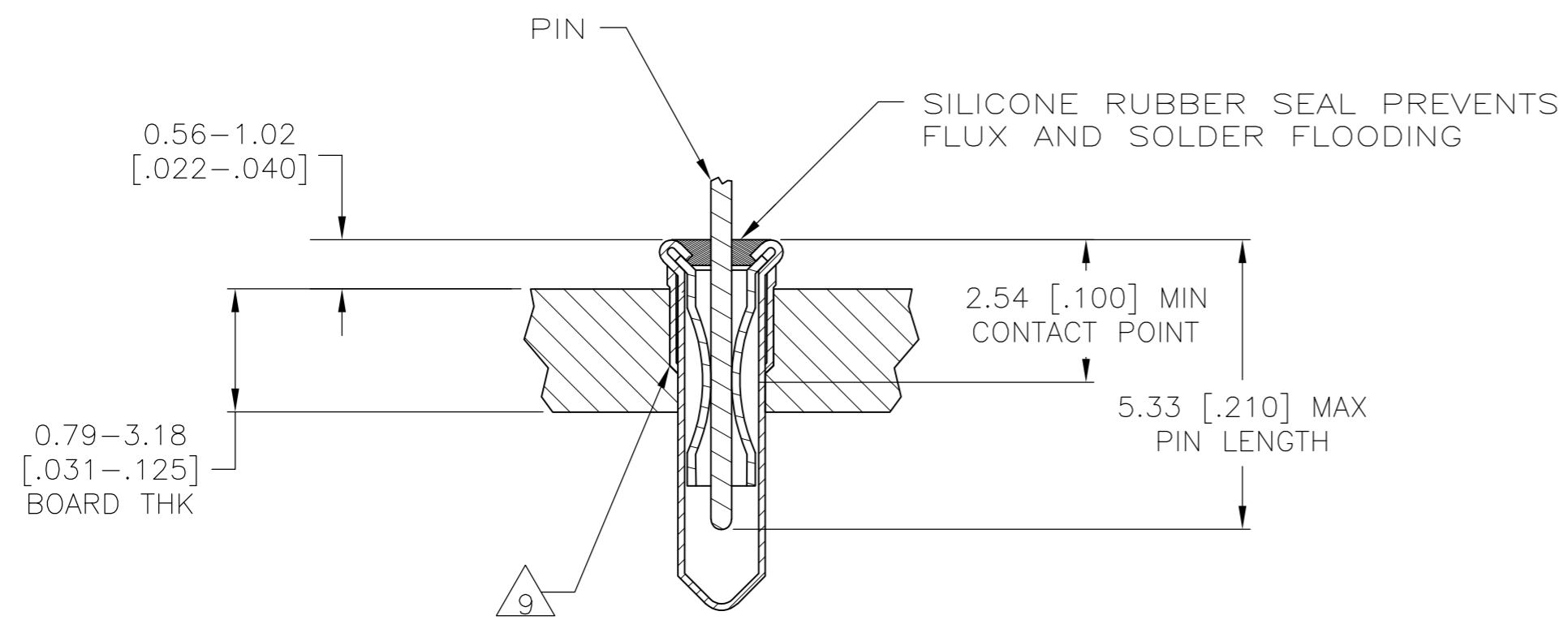


THIS DRAWING IS UNPUBLISHED. RELEASED FOR PUBLICATION  
 © COPYRIGHT BY TYCO ELECTRONICS CORPORATION. ALL RIGHTS RESERVED.

LOC	DIST	REVISIONS					
AG	53	P	LTR	DESCRIPTION	DATE	DWN	APVD
		H		REV PER ECO-09-026264	09MAR2010	HMR	DB



- 1 MATERIAL:  
EYELET- COPPER(QQ-C-576)  
SPRING- BERYLLIUM-COPPER (QQ-C-533)  
SEALANT- SILICONE RUBBER
- 2 TIN PLATE (MIL-T-10727) 0.00381 [.000150]  
MINIMUM THICKNESS.
- 3 TIN PLATE (MIL-T-10727) 0.00254 [.000100]  
MINIMUM THICKNESS.
- 4 NICKEL UNDERPLATE ALL OVER, MATING SURFACE PLATED TO MEET  
PERFORMANCE REQUIREMENTS OF TYCO PRODUCT SPECIFICATION  
108-14008.
- 5 PACKAGED 10,000 PER REEL.
- 6 TO ENSURE 1/2 OZ MIN RETENTION, DO NOT  
EXCEED 0.50 [.002] DIFFERENCE IN PIN DIA  
WHEN CHANGING TO A SMALLER DIA PIN.
- 7. APPLICATION TOOLING: MACHINE NO.- 817917-4.
- 8 TIN-LEAD PLATE 0.00381 [.000150]  
MINIMUM THICKNESS.
- 9 SHOULDER ON SOCKET PROVIDES RETENTION IN THE  
P.C. BOARD. THE RECOMMENDED HOLE DIAMETER IS  
1.75 [0.069] MINIMUM, + 0.08 [.003] MAXIMUM  
PRIOR TO SOLDERING.
- 10 PACKAGED 50,000 PER REEL.
- 11 PACKAGED 100,000 PER REEL.
- 12 PRELIMINARY - NOT RELEASED FOR PRODUCTION.



OBSOLETE	11, 12	0.94-1.04 [0.037-0.041]	TIN 3	TIN 2	1-645501-5
	10	0.94-1.04 [0.037-0.041]	TIN 3	TIN 2	1-645501-4
	5	0.94-1.04 [0.037-0.041]	GOLD 4	TIN 2	1-645501-3
	5	0.94-1.04 [0.037-0.041]	TIN 3	TIN 2	1-645501-2
	5	0.94-1.04 [0.037-0.041]	GOLD 4	TIN 2	1-645501-1
REMARKS	PIN DIA	SPRING FINISH	EYELET FINISH	PART NO.	

THIS DRAWING IS A CONTROLLED DOCUMENT.

DIMENSIONS: mm [INCHES]	TOLERANCES UNLESS OTHERWISE SPECIFIED:	DWN K.SALMON 3-9-90	Tyco Electronics Corporation Harrisburg, Pa 17105-3608	
0 PLC ± -	1 PLC ± -	CHK R.MILLER 3-13-90	MINIATURE SPRING SOCKET ASSY SERIES 4	
2 PLC ± -	3 PLC ± 0.20[.008]	APVD -	SIZE A2	CAGE CODE 00779
4 PLC ± -	ANGLES ± -	PRODUCT SPEC 108-14008	DRAWING NO C=645501	RESTRICTED TO -
MATERIAL 1	FINISH SEE TABLE	APPLICATION SPEC 114-26004	WEIGHT -	SCALE 10:1
		CUSTOMER DRAWING	SHEET 1	OF 1
			REV H	

# Mouser Electronics

Authorized Distributor

Click to View Pricing, Inventory, Delivery & Lifecycle Information:

[TE Connectivity:](#)

[1-645501-3](#)