

SAFETY ORGANIZATION(S) :

THIS FILTER HAS BEEN FORMALLY RECOGNIZED, CERTIFIED OR APPROVED BY THE LISTED AGENCY. THEREFORE, ALL TEST/REQUIREMENTS SPECIFIED IN THE LATEST REVISION OF THE FOLLOWING AGENCY STANDARDS HAVE BEEN MET:

UL RECOGNIZED UL 1283
 CSA CERTIFIED CSA 22.2, NO.0,0.4,8
 VDE APPROVED VDE 565-3, 625

OPERATING SPECIFICATIONS:
 LINE VOLTAGE/CURRENT: 5 AMP., 120 VAC
 4 AMP., 250 VAC
 4 AMP./40°C, 250 VAC
 LINE FREQUENCY: 50-60Hz
 MAX. LEAKAGE CURRENT, EACH .25mA @ 120V 60Hz
 LINE TO GROUND .42mA @ 250V 50Hz
 OPERATING AMBIENT TEMP. RANGE: -10°C TO +40°C @ RATED CURRENT, I_r

IN AN AMBIENT, T_a, HIGHER THAN 40°C, THE MAXIMUM OPERATING CURRENT, I_o, IS AS FOLLOWS:

$$I_o = I_r \sqrt{\frac{85 - T_a}{45}}$$

ECN#	APP'D./DATE	REV.
10887	TAM 10/6/94	0
ECO-09-026495	AEG 11DEC09	A1

RELIABILITY SPECIFICATIONS:

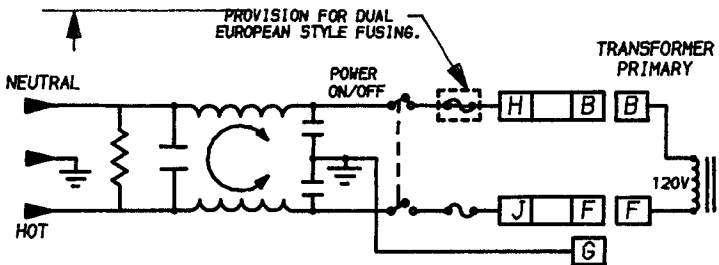
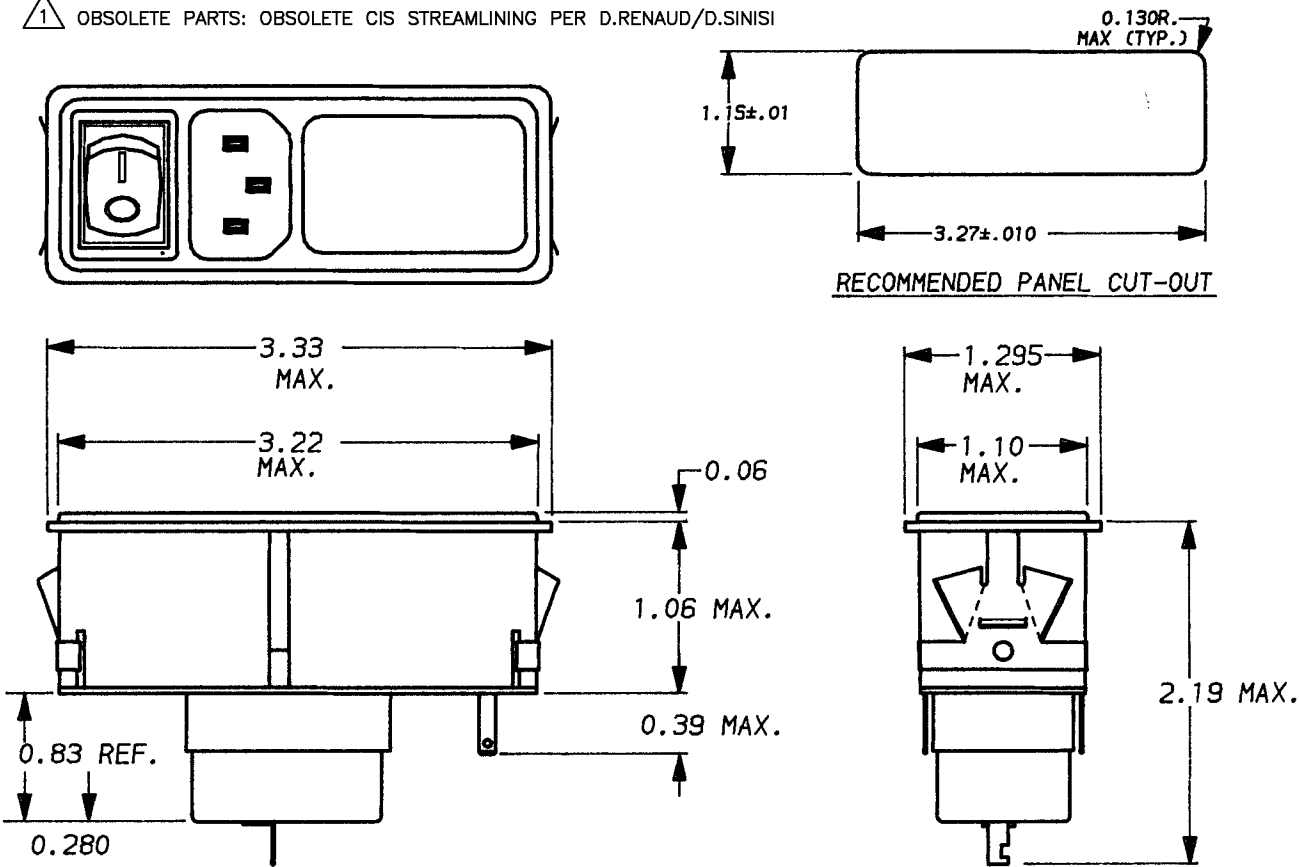
STORAGE TEMPERATURE: -40°C TO +85°C
 HUMIDITY: 21 DAYS @ 40°C 95% RH
 CURRENT OVERLOAD TEST: 6 TIMES RATED CURRENT
 TEST SPECIFICATIONS: FOR 8 SECONDS
 INDUCTANCE: .93mH NOMINAL
 CAPACITANCE: (MEASURED @ 1 KHz, 0.25 VAC MAX., 25°C ±1°C)
 LINE TO GROUND: .005µF ±20%
 LINE TO LINE: .01µF ±20%
 DISCHARGE RESISTOR: 1.5 MΩ
 LINE/GROUND AND LINE/LINE 6000 MΩ (MIN) AT 100 VDC
 INSULATION RESISTANCE 20°C AND 50% RH
 (W/O DISCHARGE RESISTOR)
RECOMMENDED RECEIVING INSPECTION HIPOT:
 LINES TO GROUND: 1500 VAC FOR 1 MINUTE
 LINE TO LINE: 1450 VDC FOR 1 MINUTE

FILTER APPROVAL:

THE BEST WAY TO SELECT AND QUALIFY A FILTER IS FOR YOUR ENGINEERING TO TEST THE UNIT IN YOUR EQUIPMENT.

SEFM1SC

1 OBSOLETE PARTS: OBSOLETE CIS STREAMLINING PER D.RENAUD/D.SINISI



2-6609129-5
 OBSOLETE 2-1609129-5

50Ω - 50Ω (MINIMUM) INSERTION LOSS								
FREQUENCY MHz	.15	.50	1.0	2.0	5.0	10	20	30
COMMON dB	14	21	26	33	40	45	50	40
DIFF. dB								

UNLESS OTHERWISE SPECIFIED,
 TOLERANCE TO BE ±.025
 MATERIAL & FINISH: AS SUPPLIED



POWER LINE FILTER

This document is proprietary to CORCOM INC. and is not to be reproduced nor used for manufacturing purposes except on CORCOM'S prior written consent.

DATE: 4-18-94	CATALOG NO.	REV.
APPRVD.	SEFM1SC	A1
CAD NO.	SEFM1SC.00	

Mouser Electronics

Authorized Distributor

Click to View Pricing, Inventory, Delivery & Lifecycle Information:

[TE Connectivity:](#)

[5EFM1SC](#)