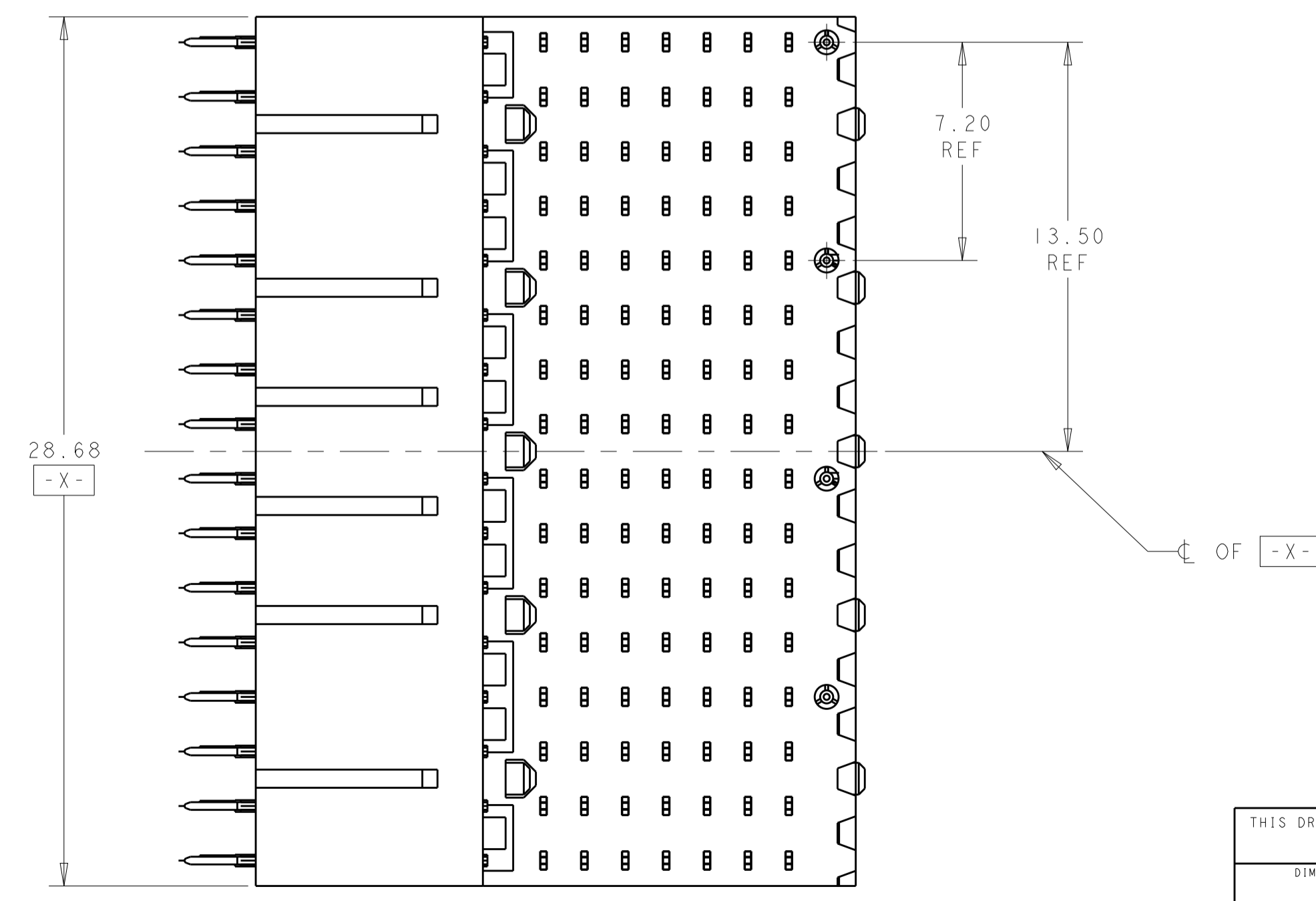
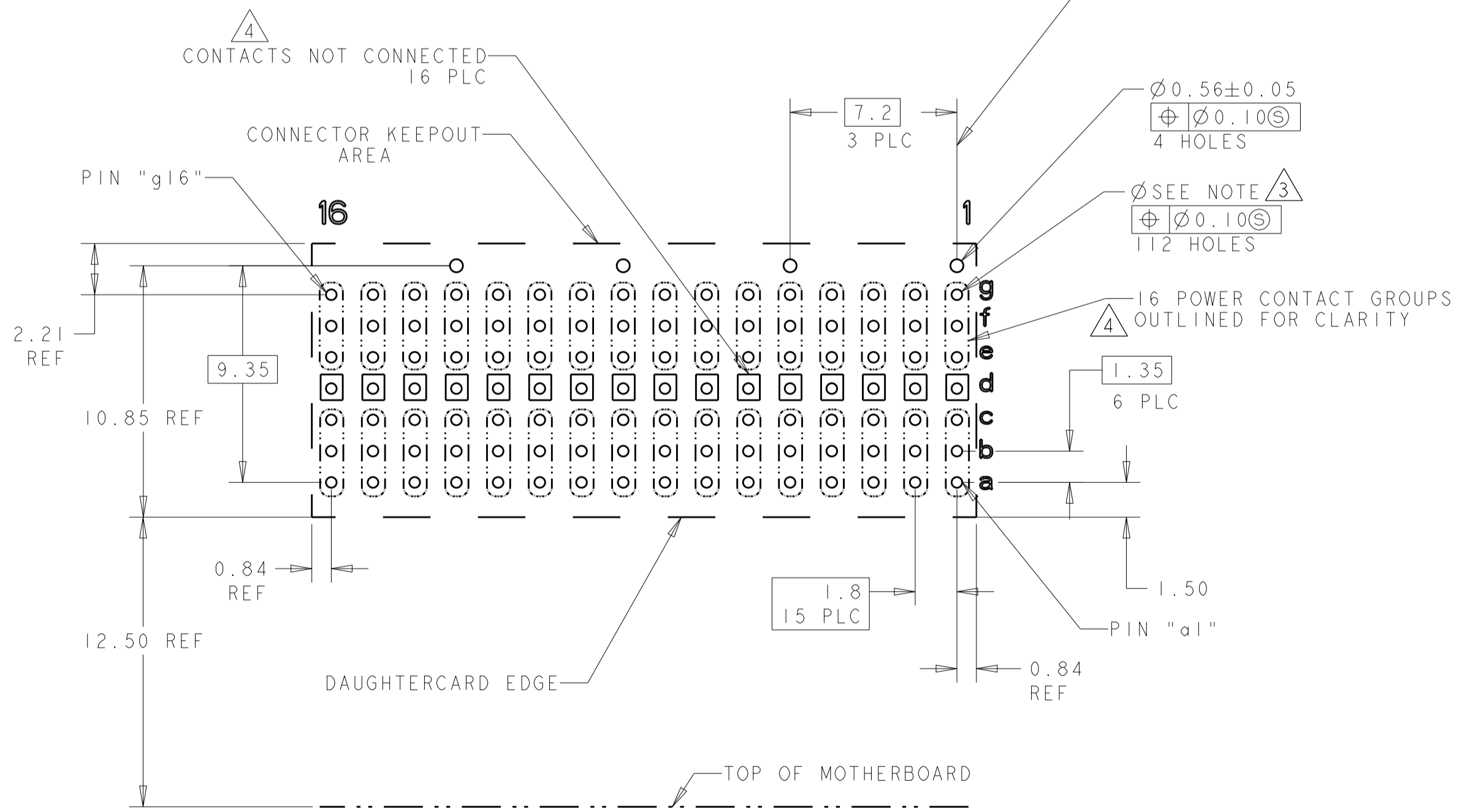
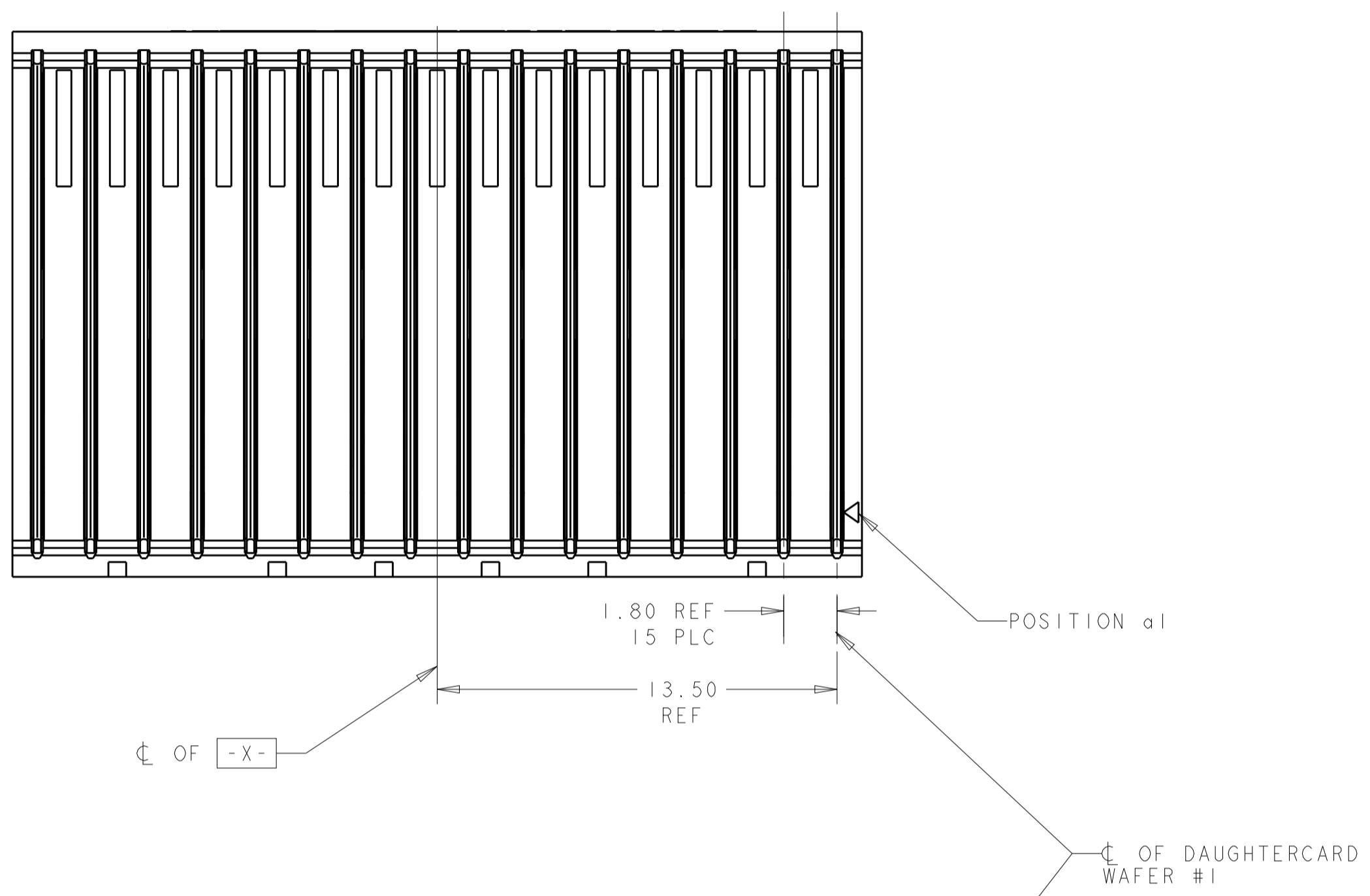
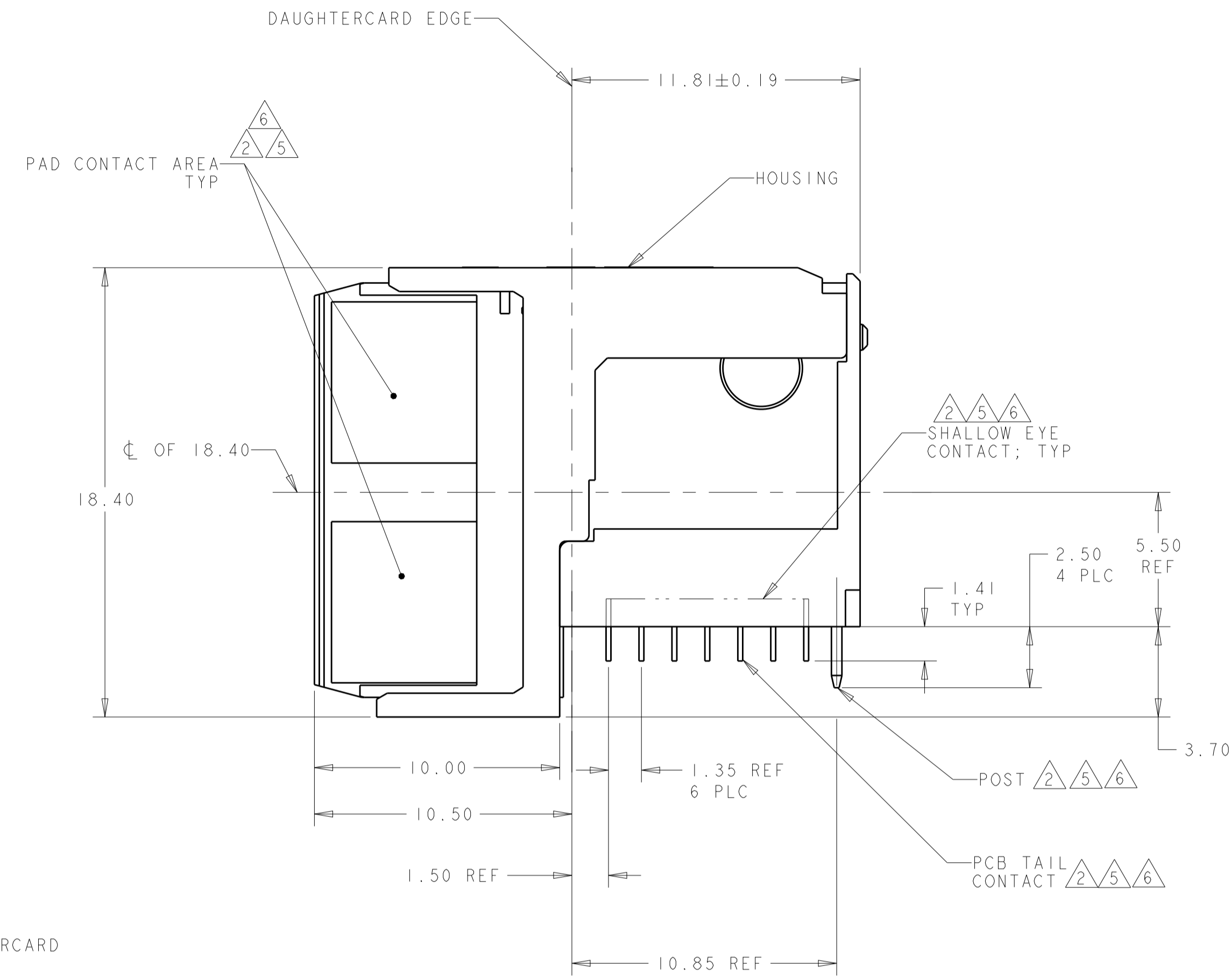


LOC	DIST	REV	DATE	BY	CHK	APPV
-	-	B	8-12-14	CT	DH	

- ① HOUSING: LCP, UL94V0, COLOR: BLACK.
CONTACT: PHOSPHOR BRONZE.
POST: BRASS WIRE
- ② PAD CONTACT AREA: 1.27µm MIN GOLD
SHALLOW EYE CONTACT AREA: 0.76µm MIN GOLD
PCB TAILS CONTACT: 1.27µm MIN TIN-LEAD (93/7) OVER
1.27µm MIN NICKEL OVER ALL
POST: 1.27µm MIN NICKEL PLATED
- ③ PLATED THROUGH HOLE PER 114-13056, FIGURE 4
- ④ SEE TABLE 1 FOR INTERCONNECTIONS TO BACKPLANE CONNECTOR.
- ⑤ PAD CONTACT AREA: 1.27µm MIN GOLD
SHALLOW EYE CONTACT AREA: 0.76µm MIN GOLD
PCB TAILS CONTACT: 1.27µm MIN MATTE TIN
OVER 1.27µm MIN NICKEL OVER ALL
POST: 1.27µm MIN NICKEL PLATED
- ⑥ PAD CONTACT AREA: 1.27µm MIN GOLD
SHALLOW EYE CONTACT AREA: 0.76µm MIN GOLD
PCB TAILS CONTACT: 1.27µm MIN TIN-LEAD (60/40) OVER
1.27µm MIN NICKEL OVER ALL
POST: 1.27µm MIN NICKEL PLATED

TYPICAL INTERCONNECTION FOR EACH COLUMN (WAFER):
1, 2, 3, 4, 5, 6, 7, 8, 9, 10, 11, 12, 13, 14, 15 & 16

CONTACT USAGE	DAUGHTERCARD CONNECTOR PIN	BACKPLANE CONNECTOR PIN
POWER	ax, bx, cx	ax, bx, cx, dx
POWER	ex, fx, gx	fx, gx, hx, ix
Not Connect	dx	ex



PC BOARD LAYOUT (CONNECTOR SIDE) SCALE: 5:1

⑥	2286663-3
⑤	2286663-2
④	2286663-1
PLATING	PART NO

THIS DRAWING IS A CONTROLLED DOCUMENT.

DIMENSIONS:	TOLERANCES UNLESS OTHERWISE SPECIFIED:	OWN: C.C. THOMAS 6-10-14	CHK: D. HOANG 6-10-14	APV: D. HOANG 6-10-14
mm	0 PLC ±0.5 2 PLC ±0.13 3 PLC ±0.13 4 PLC ±0.13 ANGLES ±1°	PRODUCT SPEC: 108-2072	APPLICATION SPEC: 114-13056	SIZE: 10.33g
MATERIAL:	FINISH: SEE TABLE	WEIGHT: 10.33g	Customer Drawing	Customer Drawing

NAME: RIGHT-ANGLE PLUG ASSEMBLY, 7 ROW, CENTER, 20.3mm, MULTIGIG RT 2-R, DAUGHTERCARD CONNECTOR, POWER

SCALE: 6:1 SHEET 1 OF 1 REV B

Mouser Electronics

Authorized Distributor

Click to View Pricing, Inventory, Delivery & Lifecycle Information:

[TE Connectivity:](#)

[2286663-1](#) [2286663-2](#)