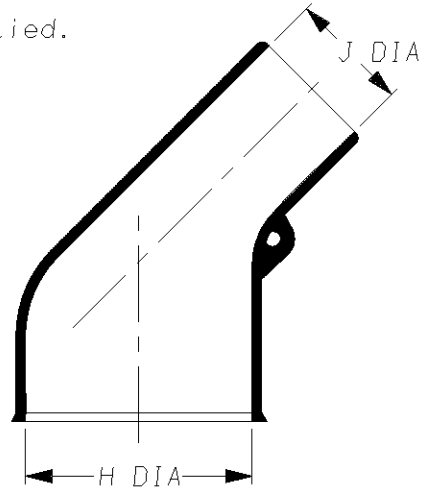


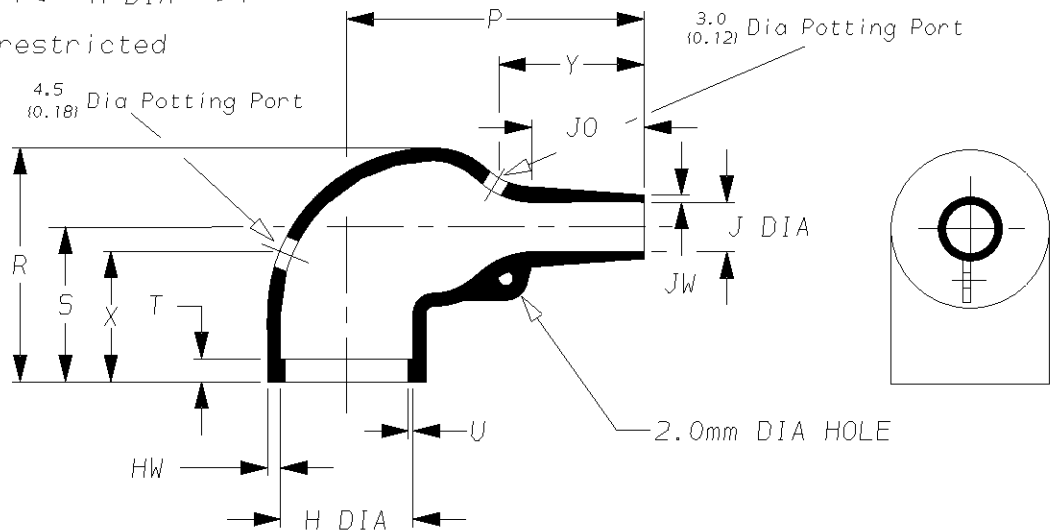
Specification Control Drawing

a) Part as supplied.



222K1**-100

b) Part after unrestricted recovery.


 DIMENSIONS in millimetres
(in inches, for reference)

| Part No. | H | | J | | P | R | S | T | U | J0 | HW | JW | X | Y |
|----------|--------------|----------------|--------------|----------------|---------------|--------------|--------------|---------------|---------------|----------------|---------------|---------------|--------------|--------------|
| | Min a | Max b | Min a | Max b | ±10% b | ±10% b | ±10% b | ±10% b | ±10% b | ±10% b | ±20% b | ±20% b | ±20% b | ±20% b |
| 222K121 | 24 (0.94) | 10.4 (0.41) | 14 (0.55) | 5.6 (0.22) | 25 (0.98) | 25 (0.98) | 19 (0.75) | 3.0 (0.12) | 1.0 (0.04) | 8.5 (0.33) | 1.3 (0.05) | 0.5 (0.02) | 18 (0.71) | 16 (0.63) |
| 222K132 | 30 (1.18) | 14.2 (0.56) | 15 (0.59) | 5.9 (0.23) | 32 (1.26) | 27 (1.06) | 20 (0.79) | 3.0 (0.12) | 1.0 (0.04) | 8.5 (0.33) | 1.5 (0.06) | 0.8 (0.03) | 18 (0.71) | 20 (0.79) |
| 222K142 | 31 (1.22) | 18.0 (0.71) | 18 (0.71) | 7.1 (0.28) | 39 (1.54) | 31 (1.22) | 21 (0.83) | 3.0 (0.12) | 1.0 (0.04) | 15.0 (0.59) | 1.8 (0.07) | 1.0 (0.04) | 18 (0.71) | 20 (0.79) |
| 222K152 | 36 (1.42) | 22.4 (0.88) | 21 (0.83) | 8.4 (0.33) | 46 (1.81) | 38 (1.50) | 26 (1.02) | 3.0 (0.12) | 1.0 (0.04) | 16.0 (0.63) | 1.8 (0.07) | 1.0 (0.04) | 25 (0.98) | 25 (0.98) |
| 222K163 | 43 (1.69) | 28.2 (1.11) | 25 (0.98) | 9.9 (0.39) | 55 (2.17) | 45 (1.77) | 30 (1.18) | 3.0 (0.12) | 1.7 (0.07) | 17.5 (0.69) | 2.0 (0.08) | 1.0 (0.04) | 25 (0.98) | 30 (1.18) |
| 222K174 | 52 (2.05) | 35.1 (1.38) | 39 (1.54) | 15.7 (0.62) | 80 (3.15) | 54 (2.13) | 35 (1.38) | 3.0 (0.12) | 1.7 (0.07) | 32.0 (1.26) | 3.3 (0.13) | 1.5 (0.06) | 25 (0.98) | 45 (1.77) |
| 222K185 | 66 (2.60) | 44.5 (1.75) | 42 (1.65) | 16.8 (0.66) | 108 (4.25) | 68 (2.68) | 42 (1.65) | 3.0 (0.12) | 2.0 (0.08) | 48.0 (1.89) | 3.8 (0.15) | 2.0 (0.08) | 35 (1.38) | 70 (2.76) |

Drawn A.LILLEY. Checked

Issue 5

Date April 2008

Conforms to ISO Recommendations

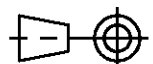
3rd Angle Projection

Not to Scale

 Approval
Design

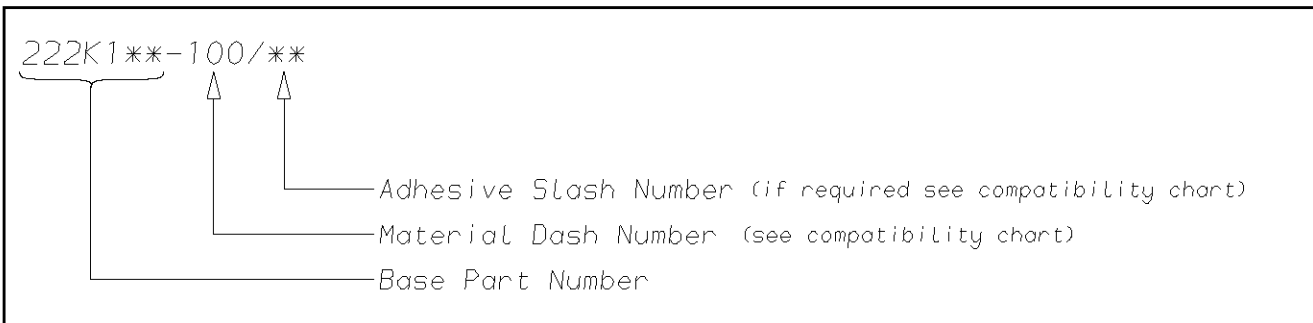
MKTG.

Tech.



| | | | | | | |
|---------------------------|---------------|--------------------------------------|---|-------------|-------------|---------|
| TE TE Connectivity | | Specification Control Drawing | | Part Number | 222K1**-100 | Issue 5 |
| Iss. | Date | E.C.R. No. | Details of Change | | | |
| 3 | December 1985 | **** | Redrawn | | | |
| 4 | April 2008 | CR06-HM-012 | Imperial dimensions added Drawing title was 222K121-100 to 222K185-100 | | | |

(Ordering Information)



(COMPATIBILITY CHART)

| Material Dash Number | Material Description | SPEC Number | Coating Slash Number |
|----------------------|----------------------|-------------|----------------------|
| -100 | ZEROHAL | RW-2058 | /86, (see note 2) |
| | | | |
| | | | |
| | | | |
| | | | |
| | | | |

NOTES

- ① Potting Ports are optional, when specified by suffix "-00" they will be located as shown.
- ② ZEROHAL is a trademark of TE Connectivity
- ③ As supplied dimensions are for uncoated parts, when coating is added entry diameters will reduce by 1.5mm Max.

| | |
|---|--|
| TE Connectivity Faraday Road, Swindon, Wiltshire, SN3 5HH England Telephone: (01793) 528171 Fax: 572516 | TE Connectivity 300, Constitution Drive, Menlo Park, CA 94025 USA Telephone (650) 361-3860 Fax: (650) 361-5579 |
| Cage Code K1010 | Cage Code 06090 |

Mouser Electronics

Authorized Distributor

Click to View Pricing, Inventory, Delivery & Lifecycle Information:

[TE Connectivity:](#)

[222K174-100-0](#)