

Thermofit Molded Parts Specification Control Drawing

Part Number : 222F211thru285

Description : Boot, 90 Deg., With Lip

NOTES

- All dimensions are in $\frac{\text{inches}}{\text{[millimeters]}}$
- Dimensions appearing in table are as follows:
 - a - As Supplied
 - b - After Unrestricted Recovery
- Coating is optional. As supplied dimensions appearing in table are for uncoated parts. When coating is added, entry diameters will be reduced by .06 max.
- "S" & "T" dimensions apply to a minimum of 240° of the circumference.

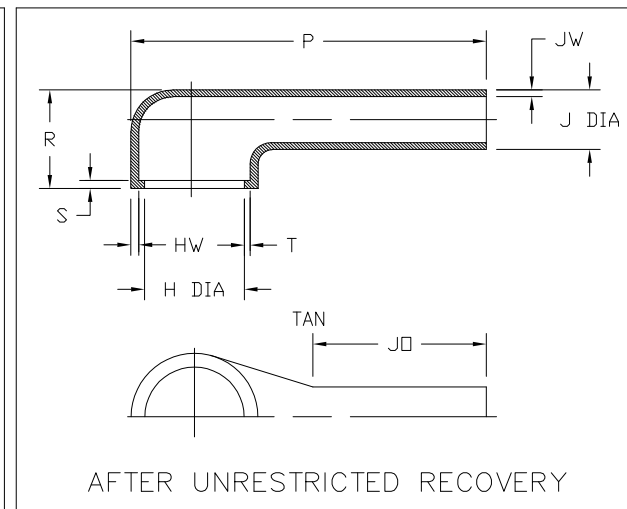
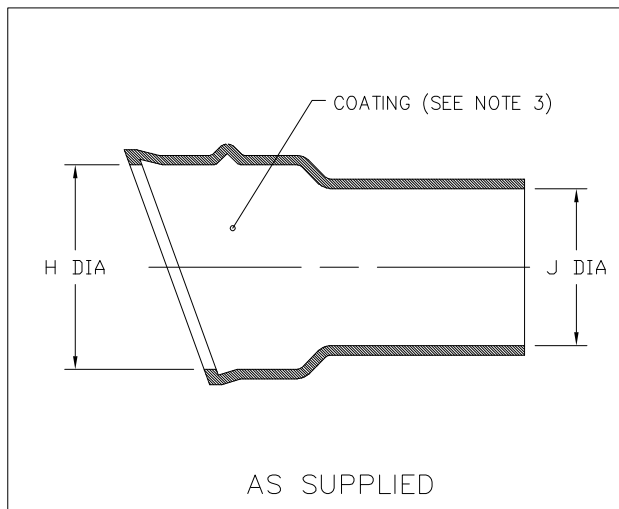


TABLE OF DIMENSIONS

| PART NUMBER | H | | J | | P ±10% b | R ±10% b | JO ±10% b | HW +.06 -.03 b | JW ±.03 b | S +.06 -.03 b | T ±.03 b |
|-------------|-----------------------|-----------------------|-----------------------|----------------------|------------------------|-----------------------|------------------------|----------------------|----------------------|----------------------|----------------------|
| | Min | Max | Min | Max | | | | | | | |
| | a | b | a | b | | | | | | | |
| 222F211 | $\frac{.94}{[23,9]}$ | $\frac{.39}{[9,9]}$ | $\frac{.68}{[17,3]}$ | $\frac{.26}{[6,6]}$ | $\frac{4.14}{[105,2]}$ | $\frac{.73}{[18,8]}$ | $\frac{3.45}{[87,6]}$ | $\frac{.06}{[1,52]}$ | $\frac{.06}{[1,52]}$ | $\frac{.06}{[1,52]}$ | $\frac{.05}{[1,27]}$ |
| 222F221 | $\frac{1.07}{[27,2]}$ | $\frac{.52}{[13,2]}$ | $\frac{.82}{[20,8]}$ | $\frac{.30}{[7,6]}$ | $\frac{4.88}{[124,0]}$ | $\frac{.78}{[19,8]}$ | $\frac{3.90}{[99,1]}$ | $\frac{.06}{[1,52]}$ | $\frac{.06}{[1,52]}$ | $\frac{.06}{[1,52]}$ | $\frac{.05}{[1,27]}$ |
| 222F232 | $\frac{1.22}{[31,0]}$ | $\frac{.73}{[18,5]}$ | $\frac{.96}{[24,4]}$ | $\frac{.35}{[8,9]}$ | $\frac{5.76}{[146,3]}$ | $\frac{.82}{[20,8]}$ | $\frac{4.50}{[114,3]}$ | $\frac{.07}{[1,78]}$ | $\frac{.06}{[1,52]}$ | $\frac{.07}{[1,78]}$ | $\frac{.05}{[1,27]}$ |
| 222F242 | $\frac{1.40}{[35,6]}$ | $\frac{.87}{[22,1]}$ | $\frac{1.13}{[28,7]}$ | $\frac{.40}{[10,2]}$ | $\frac{6.78}{[172,2]}$ | $\frac{.86}{[21,8]}$ | $\frac{5.22}{[132,6]}$ | $\frac{.07}{[1,78]}$ | $\frac{.06}{[1,52]}$ | $\frac{.07}{[1,78]}$ | $\frac{.05}{[1,27]}$ |
| 222F253 | $\frac{1.53}{[38,9]}$ | $\frac{1.11}{[28,2]}$ | $\frac{1.24}{[31,5]}$ | $\frac{.43}{[10,9]}$ | $\frac{7.29}{[185,2]}$ | $\frac{.96}{[24,4]}$ | $\frac{5.66}{[143,8]}$ | $\frac{.07}{[1,78]}$ | $\frac{.06}{[1,52]}$ | $\frac{.07}{[1,78]}$ | $\frac{.07}{[1,78]}$ |
| 222F263 | $\frac{1.78}{[45,2]}$ | $\frac{1.27}{[32,3]}$ | $\frac{1.51}{[38,4]}$ | $\frac{.50}{[12,7]}$ | $\frac{8.41}{[213,6]}$ | $\frac{1.08}{[27,4]}$ | $\frac{6.66}{[169,2]}$ | $\frac{.07}{[1,78]}$ | $\frac{.06}{[1,52]}$ | $\frac{.07}{[1,78]}$ | $\frac{.07}{[1,78]}$ |
| 222F274 | $\frac{2.03}{[51,6]}$ | $\frac{1.62}{[41,1]}$ | $\frac{1.75}{[44,5]}$ | $\frac{.59}{[15,0]}$ | $\frac{8.84}{[224,5]}$ | $\frac{1.16}{[29,5]}$ | $\frac{6.82}{[173,2]}$ | $\frac{.07}{[1,78]}$ | $\frac{.07}{[1,78]}$ | $\frac{.07}{[1,78]}$ | $\frac{.07}{[1,78]}$ |
| 222F285 | $\frac{2.47}{[62,7]}$ | $\frac{1.69}{[42,9]}$ | $\frac{1.86}{[47,2]}$ | $\frac{.69}{[17,5]}$ | $\frac{8.95}{[227,3]}$ | $\frac{1.31}{[33,3]}$ | $\frac{6.62}{[168,1]}$ | $\frac{.08}{[2,03]}$ | $\frac{.07}{[1,78]}$ | $\frac{.07}{[1,78]}$ | $\frac{.08}{[2,03]}$ |

IF THIS DOCUMENT IS PRINTED IT
BECOMES UNCONTROLLED.
CHECK FOR THE LATEST REVISION.



TE Connectivity
TE CONNECTIVITY
300 CONSTITUTION DRIVE
MENLO PARK, CALIFORNIA 94025

Revision : P1

Date : 29MAR11

Page 1 OF 2

Part Number : 222F211thru285

Description : Boot, 90 Deg., With Lip

CAD FILE MP060168

Molded Parts Specification Control Drawing

Part Number : 222F211thru285

Description : Boot, 90 Deg., With Lip

| COMPATABILITY CHART | | | | | |
|---------------------|----------------------|----------------|-------------------|----------------------|---------------------|
| MATERIAL DASH NO. | MATERIAL DESCRIPTION | RT SPEC | COATING SLASH NO. | COATING S NO. | COATING DESCRIPTION |
| -50 | Flexible VPB | RT-1313 | N/A | | |
| -51 | Flexible EPB | RT-1321 | /164 | S-1124 | Adhesive |
| -71 | Flexible Polyolefin | RT-1316 | /42,/86,/180 | S-1017,S-1048,S-1030 | Adhesive |
| -770 | NBCCS | RT-770 TYPE II | | | |
| | | | | | |
| | | | | | |

ORDERING INFORMATION

222F2XX -XX -XX /XXX -0

Base part number

Material dash number
(See Compatability Chart)

Modification number

Adhesive slash number
(If necessary, see Compatability Chart)

Color Designator

IF THIS DOCUMENT IS PRINTED IT BECOMES UNCONTROLLED.
CHECK FOR THE LATEST REVISION.

THIS DRAWING IS SUBJECT TO CHANGE WITHOUT NOTICE; CONSULT YOUR
NEAREST FIELD REPRESENTATIVE FOR CURRENT REVISION



TE CONNECTIVITY
300 CONSTITUTION DRIVE
MENLO PARK, CALIFORNIA 94025

Revision : P1
Date : 20APR11
Page 2 OF 2

Part Number : 222F211thru285
Description : Boot, 90 Deg., With Lip

Mouser Electronics

Authorized Distributor

Click to View Pricing, Inventory, Delivery & Lifecycle Information:

[TE Connectivity:](#)

[222F221-51/164-0](#)