

LOC		DIST		REVISIONS			
P	LTR	DESCRIPTION	DATE	DN	APVD		
A		RELEASED PER ECO 13-013618	8-26-13	CT	DH		

- 1 HOUSING: LCP, UL94V0, COLOR: BLACK.
CONTACT: PHOSPHOR BRONZE.
POST: BRASS WIRE
- 2 CONTACT: 1.27μm MIN GOLD IN PAD CONTACT AREA, 1.27μm MIN LEAD ON PCB TAIL OVER 1.27μm MIN. NICKEL OVER ALL.
POST: 1.27μm MIN NICKEL PLATED.
- 3 PLATED THROUGH HOLE PER TE SPEC. 114-13056, FIGURE 4
- 4 SEE TABLE 1 FOR INTERCONNECTIONS TO BACKPLANE CONNECTOR.

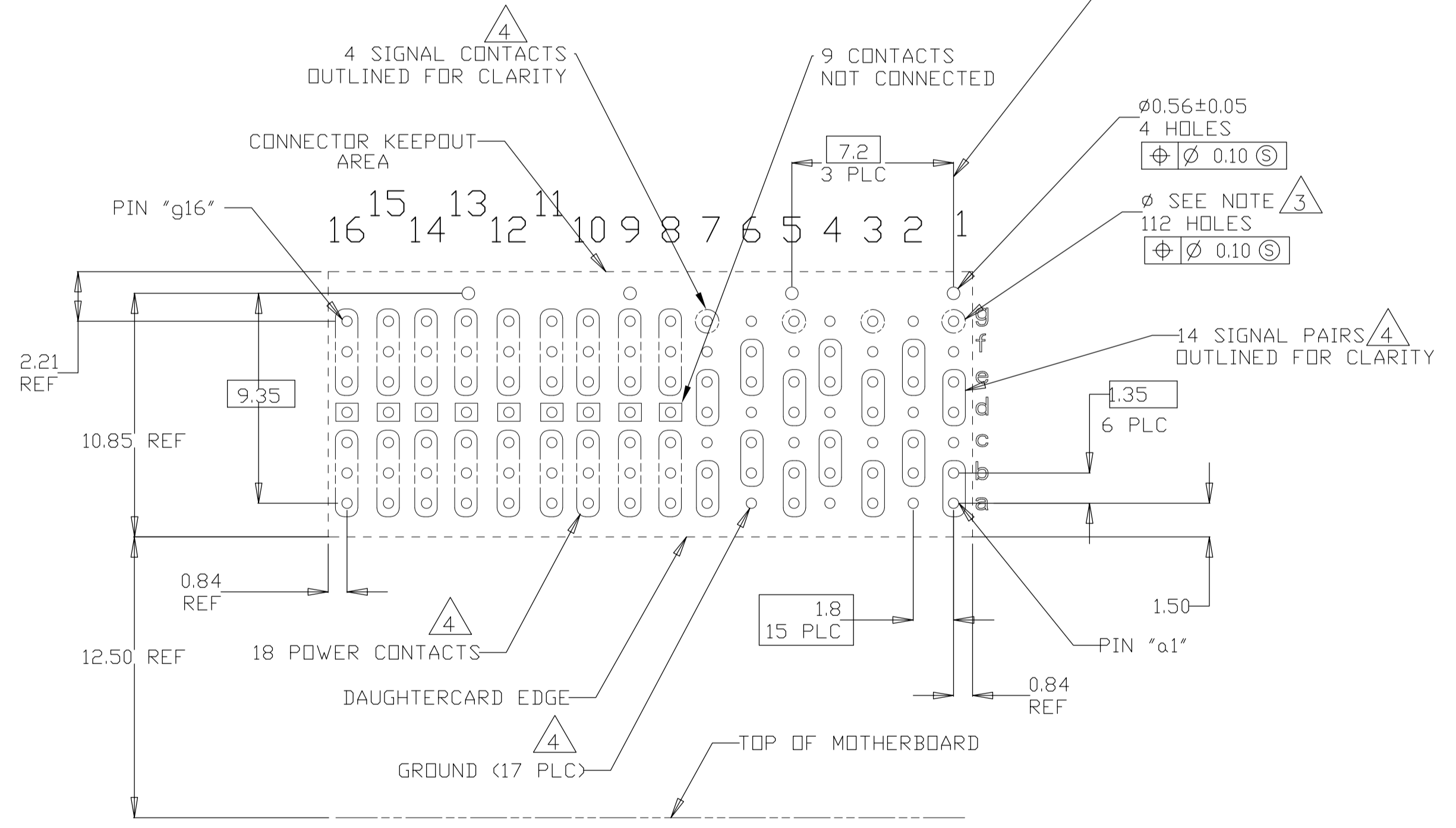
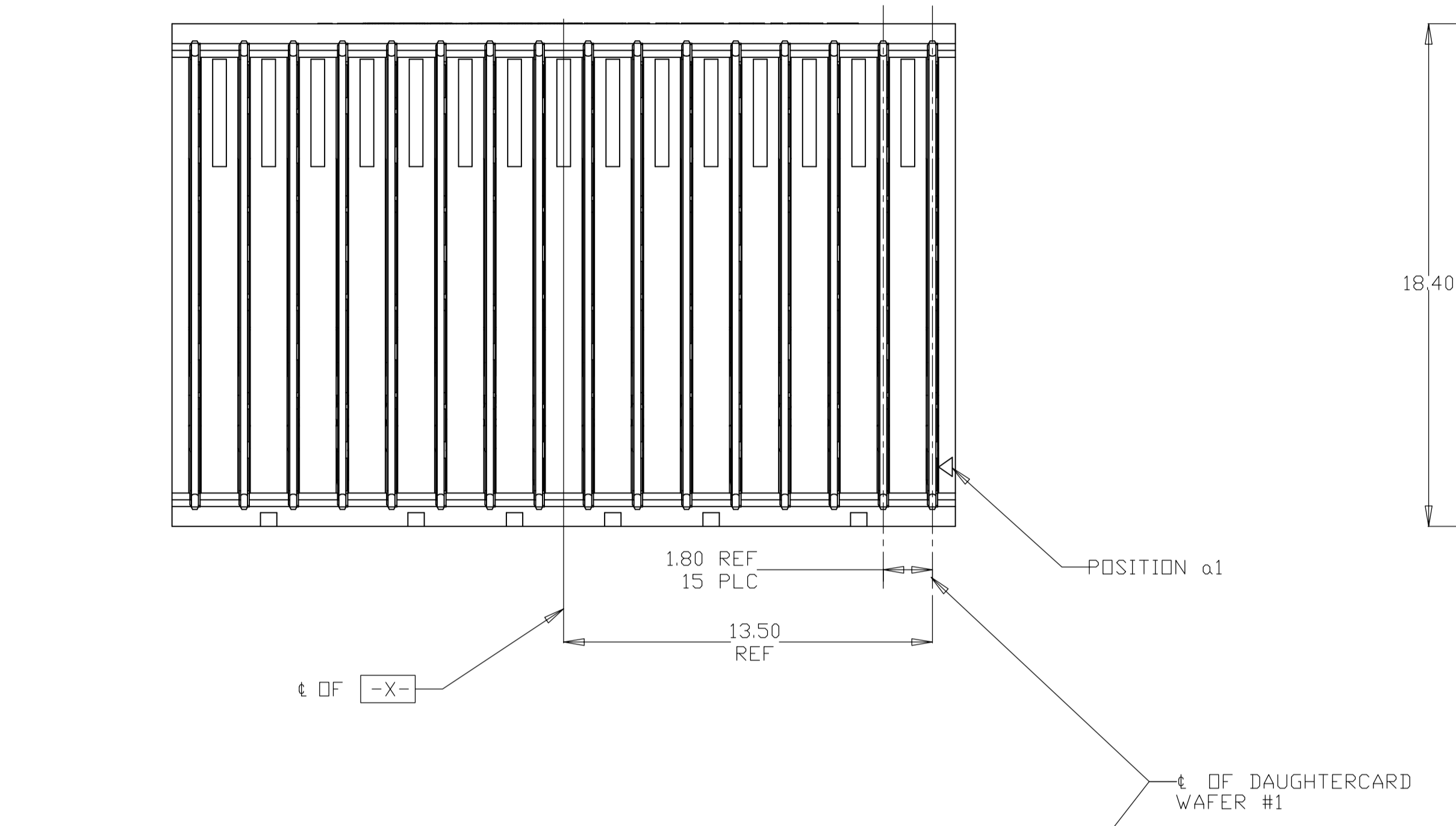
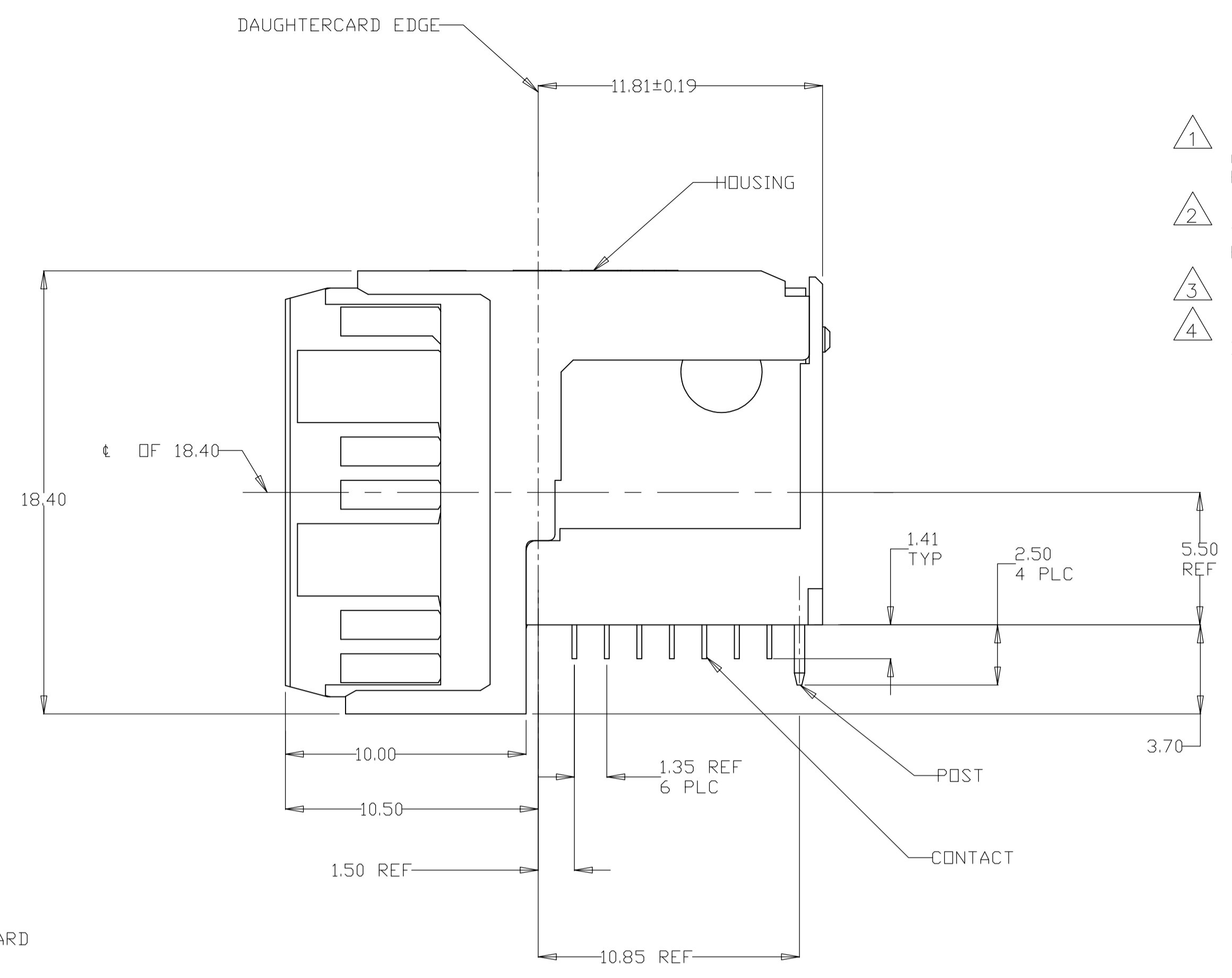
TABLE 1
INTERCONNECTIONS WITH BACKPLANE CONNECTOR

TYPICAL INTERCONNECTIONS FOR COLUMN (WAFER): 2, 4 & 6		
CONTACT USAGE	DAUGHTERCARD CONNECTOR PIN	BACKPLANE CONNECTOR PIN
SIGNAL PAIR	bx	cx
SIGNAL PAIR	cx	dx
SIGNAL PAIR	ex	gx
SIGNAL PAIR	fx	hx
GROUPS	ax, dx, gx, (ALL COMMONED)	ax, bx, ex, fx, ix

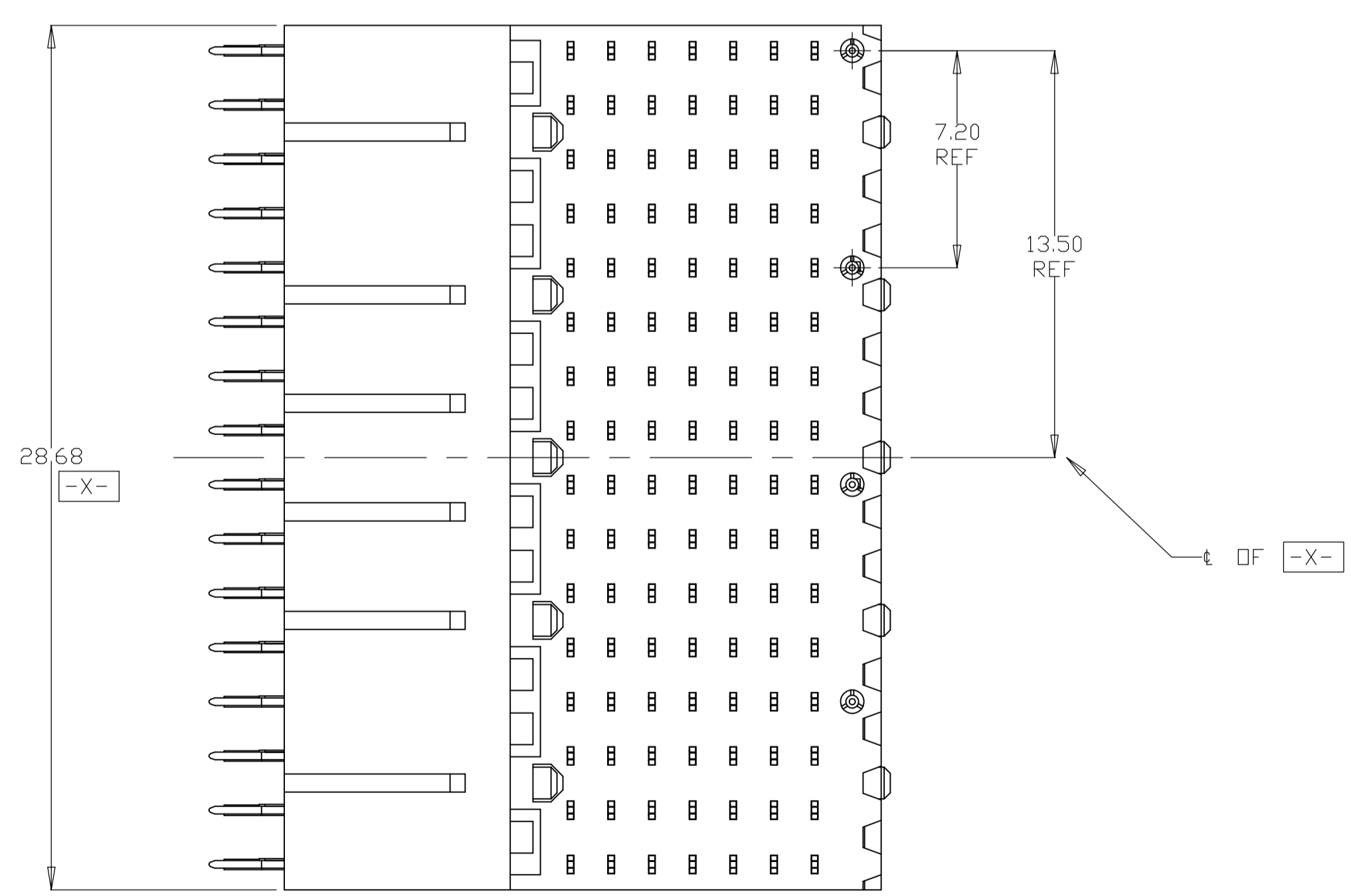
TYPICAL INTERCONNECTIONS FOR COLUMN (WAFER): 1, 3, 5 & 7		
CONTACT USAGE	DAUGHTERCARD CONNECTOR PIN	BACKPLANE CONNECTOR PIN
SIGNAL PAIR	ax	ax
SIGNAL PAIR	bx	bx
SIGNAL PAIR	dx	ex
SIGNAL PAIR	ex	fx
SIGNAL	gx	ix
GROUPS	cx, fx (ALL COMMONED)	cx, dx, gx, hx

TYPICAL INTERCONNECTIONS FOR EACH COLUMN (WAFER): 8, 9, 10, 11, 12, 13, 14, 15 & 16		
CONTACT USAGE	DAUGHTERCARD CONNECTOR PIN	BACKPLANE CONNECTOR PIN
POWER	ax, bx, cx	ax, bx, cx, dx
POWER	ex, fx, gx	fx, gx, hx, ix
NOT CONNECTED	dx	ex

NOTE: "x" DESIGNATES THE COLUMN NUMBER



PC BOARD LAYOUT (CONNECTOR SIDE) SCALE 5:1



2221861-1
PART NUMBER

THIS DRAWING IS A CONTROLLED DOCUMENT.		DIN C.C.THOMAS 8-12-12	TE Connectivity
DIMENSIONS: mm		CHK D.HOANG 8-12-13	
TOLERANCES UNLESS OTHERWISE SPECIFIED:		APVD D.HOANG 8-12-13	NAME
0 PLC ± -	1 PLC ± 0.5	PRODUCT SPEC	RIGHT ANGLE PLUG ASSEMBLY, SPECIAL
2 PLC ± 0.13	3 PLC ± -	APPLICATION SPEC	7 ROW, CENTER, 20.3mm, MULTI-GIG RT 2-R
4 PLC ± -	ANGLES ± 1°	SIZE 114-13056	DAUGHTERCARD CONNECTOR, DIFFERENTIAL/POWER
MATERIAL	FINISH SEE TABLE	WEIGHT 10.33g	SCALE NTS
		CUSTOMER DRAWING	SHEET 1 OF 1

Mouser Electronics

Authorized Distributor

Click to View Pricing, Inventory, Delivery & Lifecycle Information:

[TE Connectivity:](#)

[2221861-1](#)