

THIS DRAWING IS UNPUBLISHED.

RELEASED FOR PUBLICATION

20

© COPYRIGHT 20 BY -

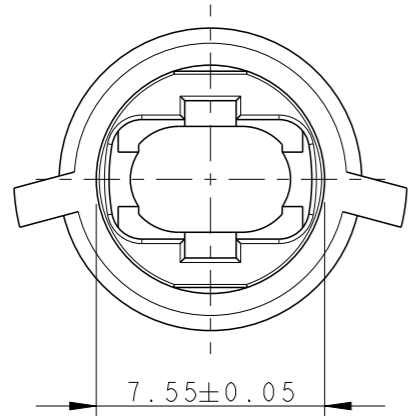
ALL RIGHTS RESERVED.

LOC -

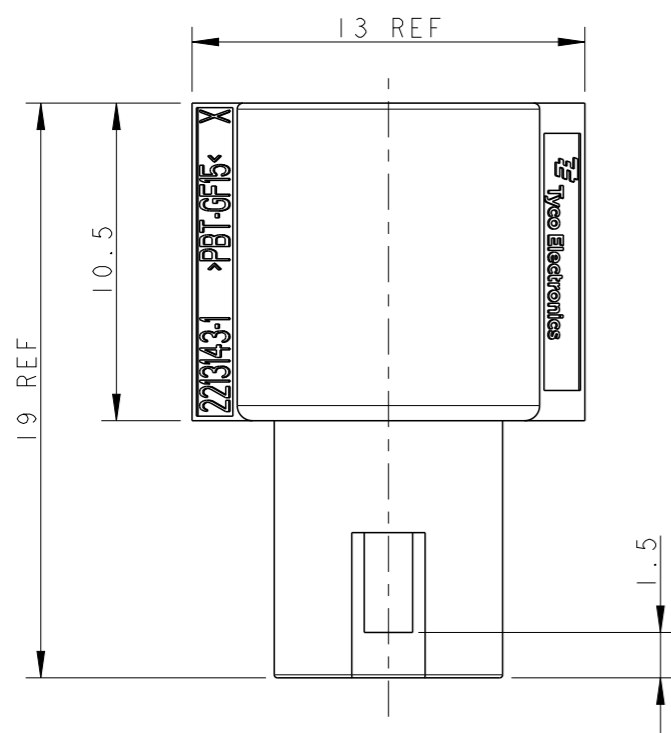
DIST -

REVISIONS

P	LTR	DESCRIPTION	DATE	DWN	APVD
	A	REVISED PER ECR-13-000946	25JAN2013	RS	DD



1 MATERIAL: PBT-GF15

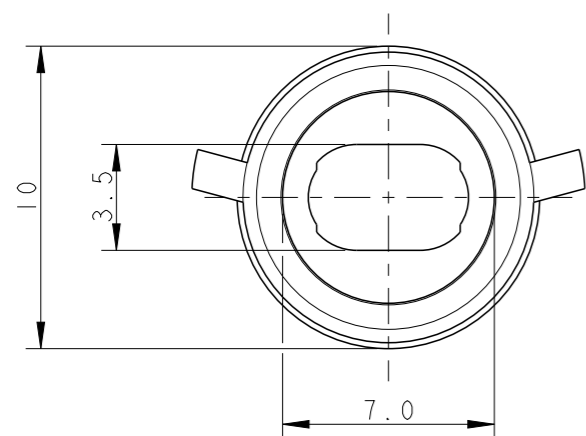
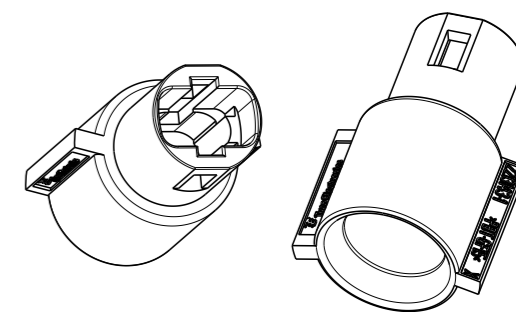
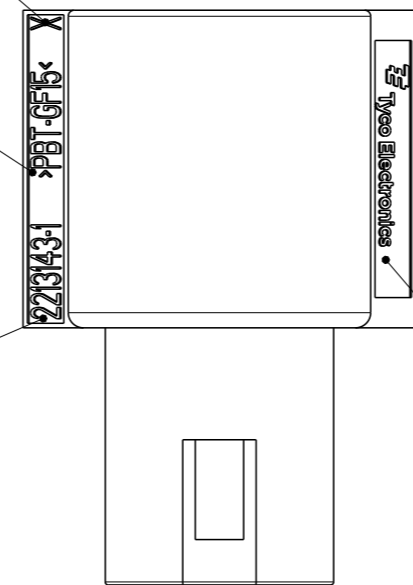


MOLD CAVITY ID

RAW MATERIAL

TE PART NUMBER

TE LOGO



2213143-1

PART NUMBER

THIS DRAWING IS A CONTROLLED DOCUMENT.

DWN RAVI.S 14SEP2012

CHK D.DECKER 14SEP2012

APVD D.DECKER 14SEP2012

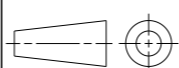
PRODUCT SPEC -

APPLICATION SPEC -

WEIGHT -

Customer Drawing

DIMENSIONS: mm



TOLERANCES UNLESS OTHERWISE SPECIFIED:

- 0 PLC ±-
- 1 PLC ±0.5
- 2 PLC ±0.13
- 3 PLC ±0.013
- 4 PLC ±0.0001
- ANGLES ±-

MATERIAL -

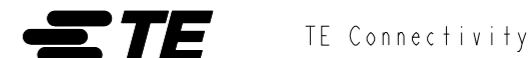


FINISH -

NAME: MINI HVL LIGHTING SYSTEM 7.5mm
CHASSIS MOUNT HOUSING SUPPORT FOR SVT WIRE.

SIZE: A3 CAGE CODE: 300779 DRAWING NO: C-2213143 RESTRICTED TO: -

SCALE: 4:1 SHEET: 1 OF 1 REV: A



Mouser Electronics

Authorized Distributor

Click to View Pricing, Inventory, Delivery & Lifecycle Information:

[TE Connectivity:](#)

[2213143-1](#)