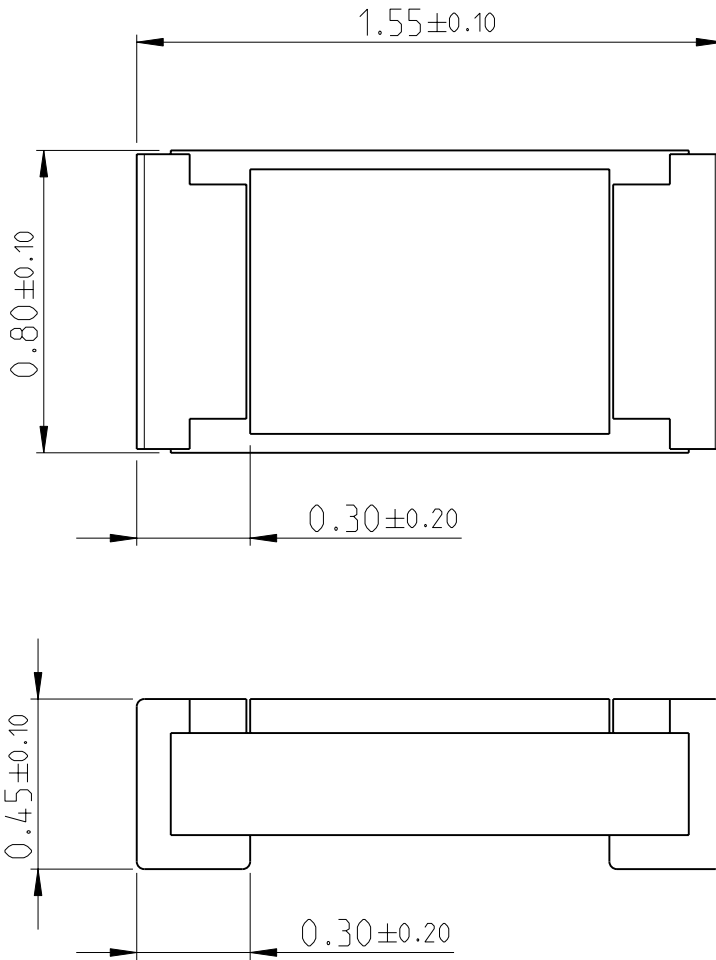
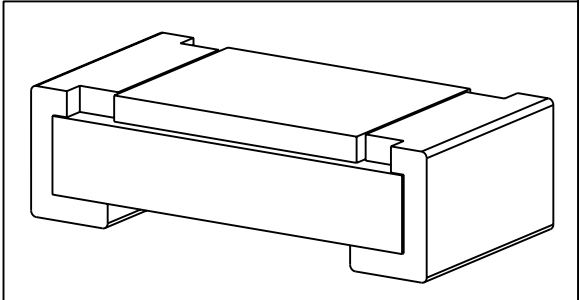


|     |      |           |     |             |           |     |      |
|-----|------|-----------|-----|-------------|-----------|-----|------|
| LOC | DIST | REVISIONS |     |             |           |     |      |
| -   | -    | P         | LTR | DESCRIPTION | DATE      | DWN | APVD |
|     |      | BA        |     | NEW DRAWING | 25APR2012 | KR  | St.P |



FOR FURTHER INFORMATION SEE DATA SHEET FOR  
SMD HIGH POWER PRECISION RESISTORS - RP73 SERIES

RoHS Compliant



20


RELEASED FOR PUBLICATION

ALL RIGHTS RESERVED.

THIS DRAWING IS UNPUBLISHED.

BY -

© COPYRIGHT 20

|  |                  |           |  |           |            |               |
|--|------------------|-----------|--|-----------|------------|---------------|
| DIMENSIONS:                            | DWN              | 25APR2012 | MATERIAL   | FINISH    |            |               |
| mm                                     | RAGHAVENDRA K    |           | -  | -         |            |               |
| TOLERANCES UNLESS OTHERWISE SPECIFIED: | CHK              | 25APR2012 |  TE Connectivity |           |            |               |
|  | ALLAN P          |           |  |           |            |               |
| 0 PLC ±                                | APVD             | 25APR2012 | NAME<br>HIGH POWER PRECISION CHIP RESISTORS - TYPE<br>RP73P 0603 SERIES                              |           |            |               |
| 1 PLC ±0.5                             | STEPHEN.P        |           |  |           |            |               |
| 2 PLC ±0.13                            | PRODUCT SPEC     |           | SIZE   | CAGE CODE | DRAWING NO | RESTRICTED TO |
| 3 PLC ±0.013                           | APPLICATION SPEC |           | A 4  | 00779     | ©-2176088  | -             |
| 4 PLC ±0.0001                          |                  |           | WEIGHT 0.002 Gram  |           |            |               |
| ANGLES ±                               |                  |           | CUSTOMER DRAWING   |           |            |               |
|  |                  |           | SCALE  | SHEET     | OF         | REV           |
|  |                  |           | 40:1   | 1         | 1          | BA            |

# Mouser Electronics

Authorized Distributor

Click to View Pricing, Inventory, Delivery & Lifecycle Information:

[TE Connectivity:](#)

[6-2176088-9](#)