

4

3

2

1

THIS DRAWING IS UNPUBLISHED.

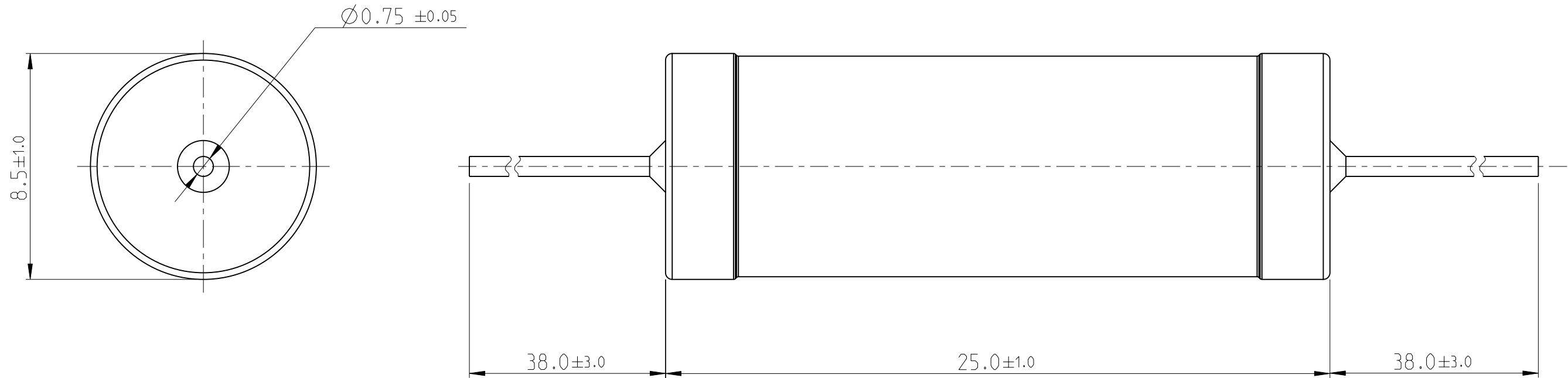
RELEASED FOR PUBLICATION

2011

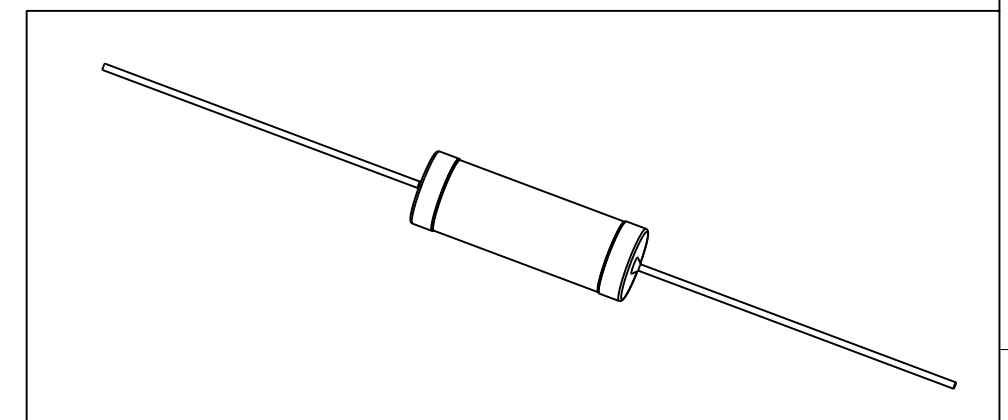
© COPYRIGHT 2011


ALL RIGHTS RESERVED.

| LOC | DIST | REVISIONS | | | |
|-----|------|-------------|-------------|-----------|----------|
| P | LTR | DESCRIPTION | DATE | DWN | APVD |
| AI | - | BA | NEW DRAWING | 16MAR2012 | DMS ST.P |



FOR FUTHER INFORMATION SEE DATA SHEET FOR
WIREWOUND ANTI-SURGE RESISTOR - EP SERIES



| | | | | |
|--|--|--------------------------------|---|-------------------------|
| THIS DRAWING IS A CONTROLLED DOCUMENT. | | DWN DARSHAN.MS 16MAR2012 |  TE Connectivity | |
| DIMENSIONS: mm | | CHK ALLAN.P 16MAR2012 | | |
| TOLERANCES UNLESS OTHERWISE SPECIFIED: | | APVD STEPHEN.P 16MAR2012 | NAME WIREWOUND ANTI-SURGE RESISTOR - TYPE EP 5W | |
| 0 PLC ±- 1 PLC ±- 2 PLC ±- 3 PLC ±- 4 PLC ±- ANGLES ±1° | | PRODUCT SPEC - | RESTRICTED TO - | |
| MATERIAL - | | FINISH - | APPLICATION SPEC - | SIZE A3 |
| | | WEIGHT 6.487 Gram | CAGE CODE 00779 | DRAWING NO C=2176045 |
| | | CUSTOMER DRAWING | SCALE 1:1 | SHEET 1 OF 1 |
| | | | REV BA | |

Mouser Electronics

Authorized Distributor

Click to View Pricing, Inventory, Delivery & Lifecycle Information:

[TE Connectivity:](#)

[1-2176045-4](#)