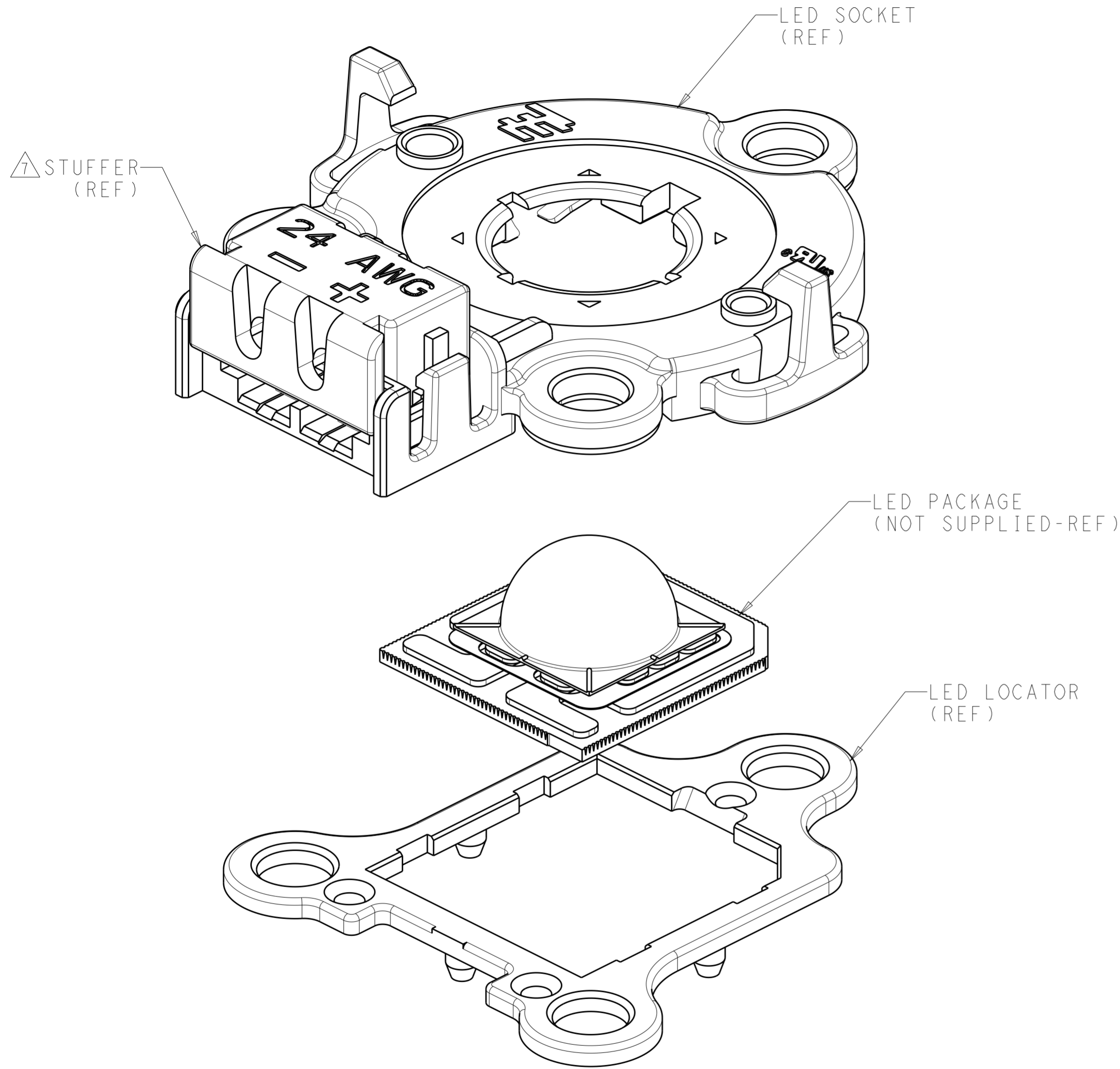


THIS DRAWING IS UNPUBLISHED. RELEASED FOR PUBLICATION 20
 © COPYRIGHT 20 BY - ALL RIGHTS RESERVED.

LOC		DIST		REVISIONS			
P	LTR	DESCRIPTION	DATE	DWN	APVD		
-	-	A	REVISED PER ECR-12-002666	08AUG2012	RS	MM	



EXPLODED VIEW WITH LED SHOWN
 SCALE 6:1

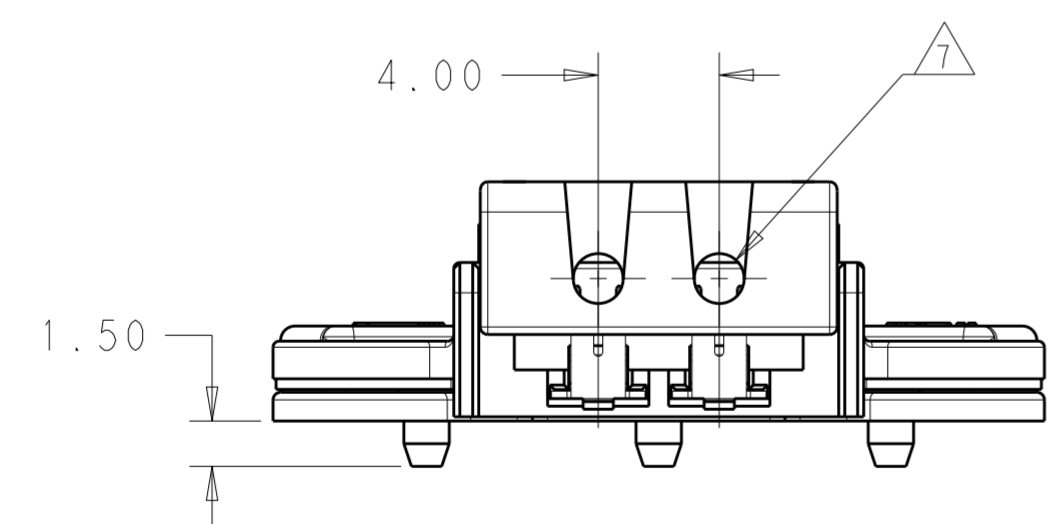
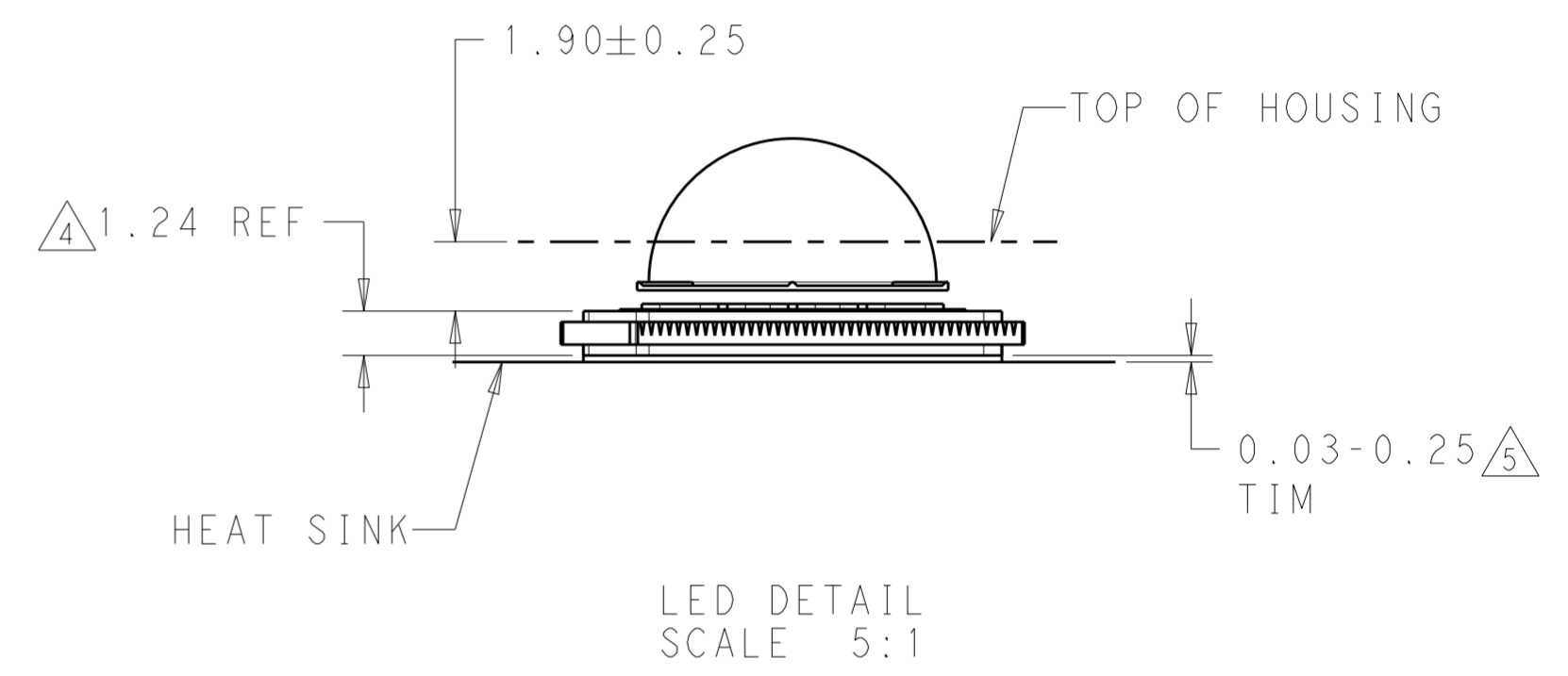
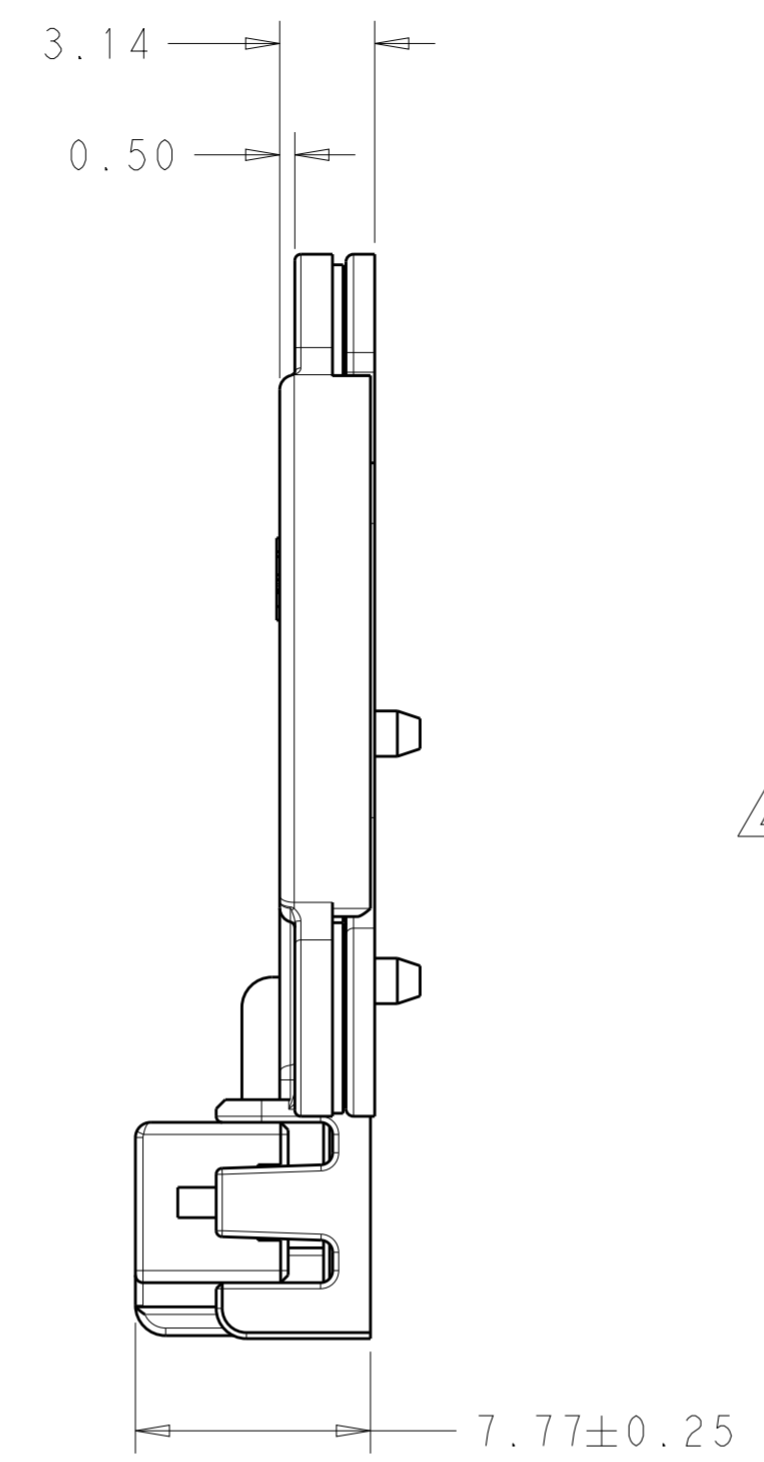
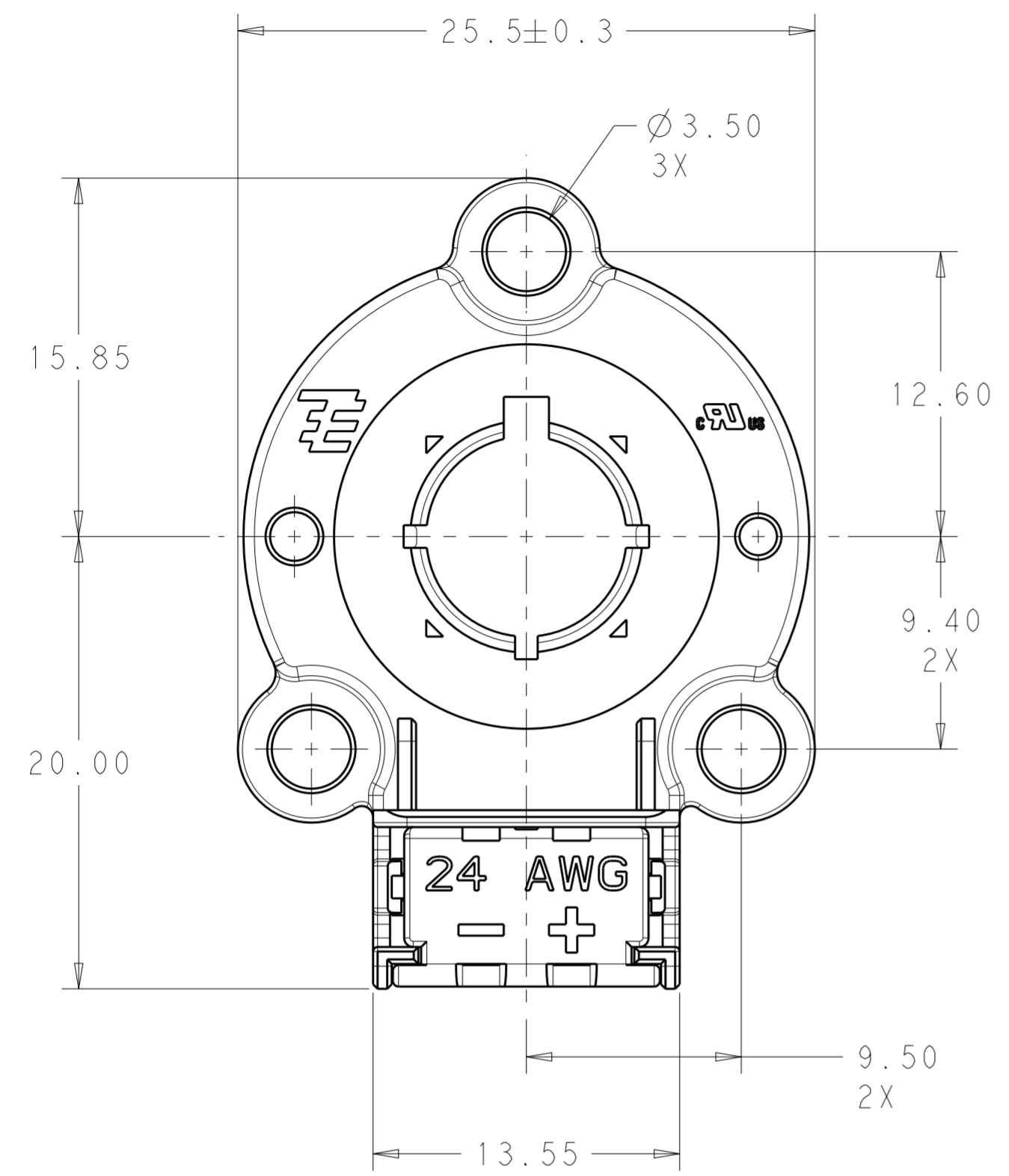
- 1 MATERIALS AND FINISH:
 - HOUSING: PBT-GF, COLOR: NATURAL
 - LED LOCATOR: PBT-GF, COLOR: NATURAL
 - STUFFER: PBT-GF, COLOR: NATURAL
 - IDC CONTACTS: COPPER ALLOY
 - FINISH: GOLD IN LED INTERFACE WITH TIN OVER NICKEL BALANCE
 - THERMAL SPRING: STAINLESS STEEL
- 2. MUST COMPLY WITH DIRECTIVE 2002/95/EC (ROHS)
- 3. THIS PRODUCT HAS NOT COMPLETED VALIDATION TESTING
- 4 REFER TO LUMILEDS LED DATASHEET FOR LED DIMENSIONS
- 5 REFER TO LUMILEDS LED DATASHEET FOR RECOMMENDED THERMAL INTERFACE MATERIALS
- 6 RECOMMENDED SCREW SIZE: M3 OR #4. TORQUE SCREWS TO 2.5 in-lbf TO 4.0 in-lbf
- 7 SOCKET TO BE USED WITH 24AWG UL1007/1569 INSULATED WIRE. MAX INSULATION O.D. TO BE $\varnothing 1.60$

SOCKET ASSEMBLY W/ OPTICS LATCH	2154235-2
SOCKET ASSEMBLY W/O OPTICS LATCH	2154235-1
DESCRIPTION	PART NO.

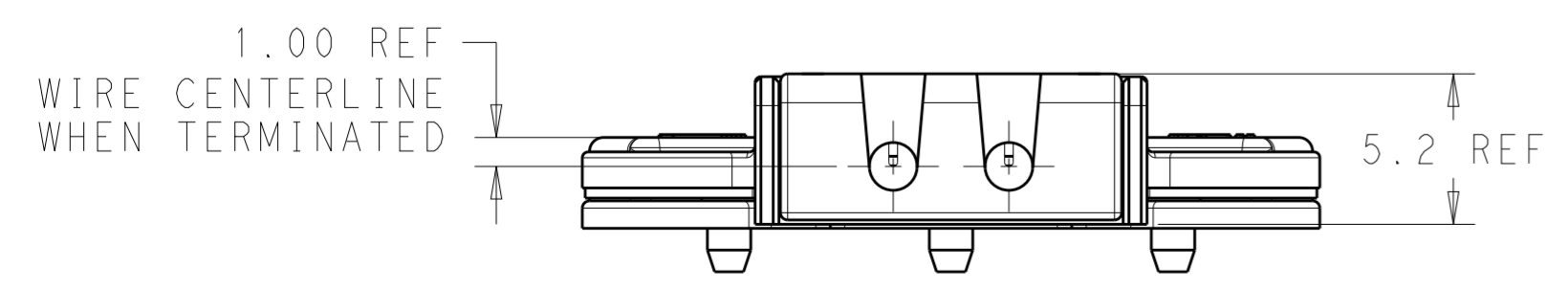
THIS DRAWING IS A CONTROLLED DOCUMENT.		DWN C. DAILY 14OCT2010	STE TE Connectivity	
		CHK R. NARANG 14OCT2010		
DIMENSIONS: mm		APVD -	NAME ASSEMBLY, SOLDERLESS LED SOCKET, TYPE LS	
TOLERANCES UNLESS OTHERWISE SPECIFIED:		PRODUCT SPEC 108-2455	SIZE A200779	
0 PLC ±-		APPLICATION SPEC 114-13294	DRAWING NO C-2154235	
1 PLC ±0.2		WEIGHT -	RESTRICTED TO -	
2 PLC ±0.15		SCALE 4:1 SHEET 1 OF 4 REV A		
3 PLC ±-		Customer Drawing		
4 PLC ±-				
ANGLES ±2°				
FINISH				

THIS DRAWING IS UNPUBLISHED. RELEASED FOR PUBLICATION 20
 © COPYRIGHT 20 BY - ALL RIGHTS RESERVED.

REVISIONS							
LOC	DIST	P	LTR	DESCRIPTION	DATE	DWN	APVD
-	-	-	-	SEE SHEET 1	-	-	-



2154235-1 SHOWN

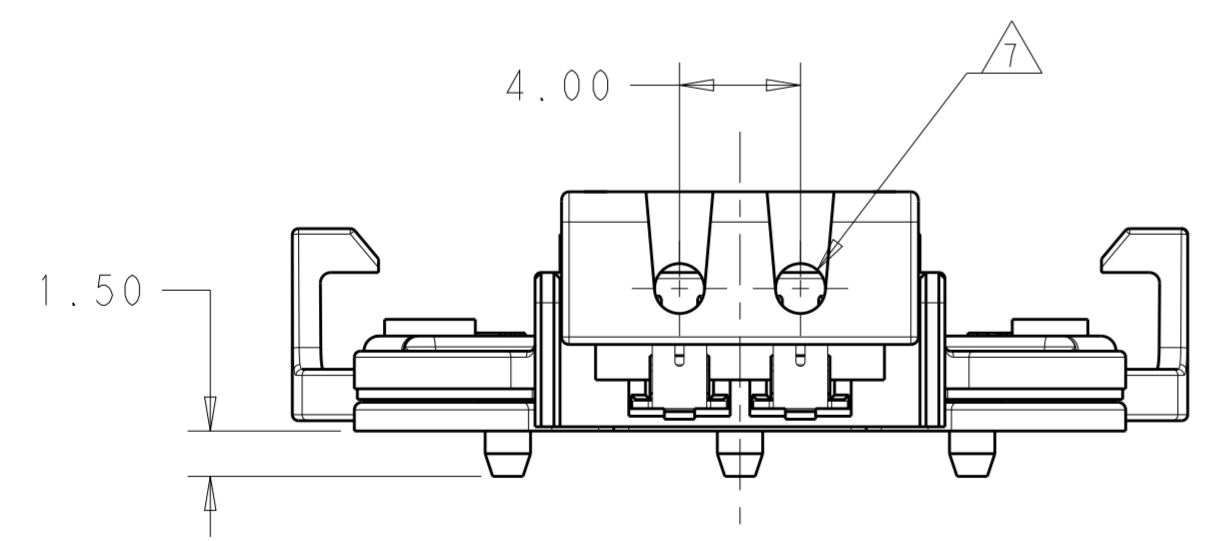
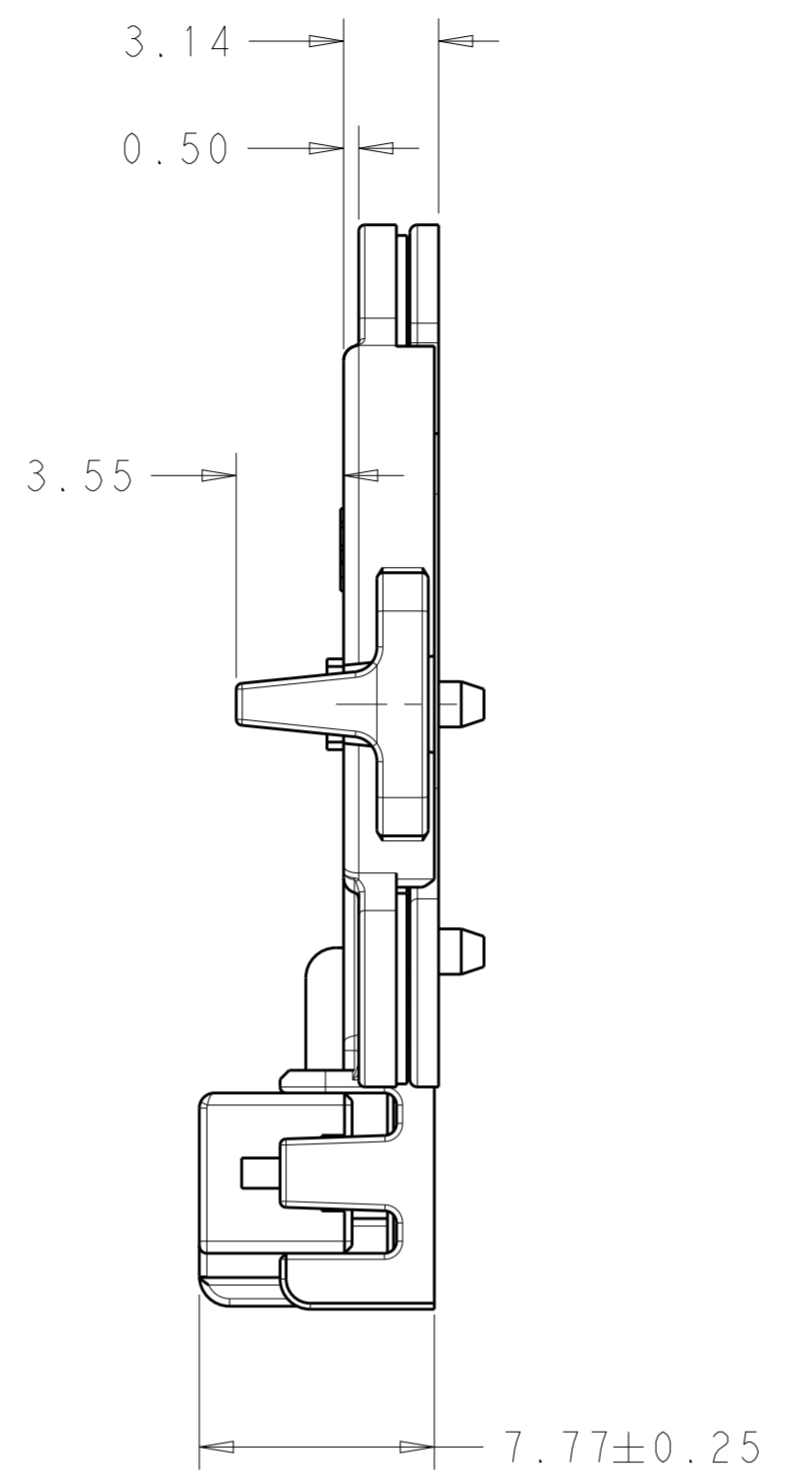
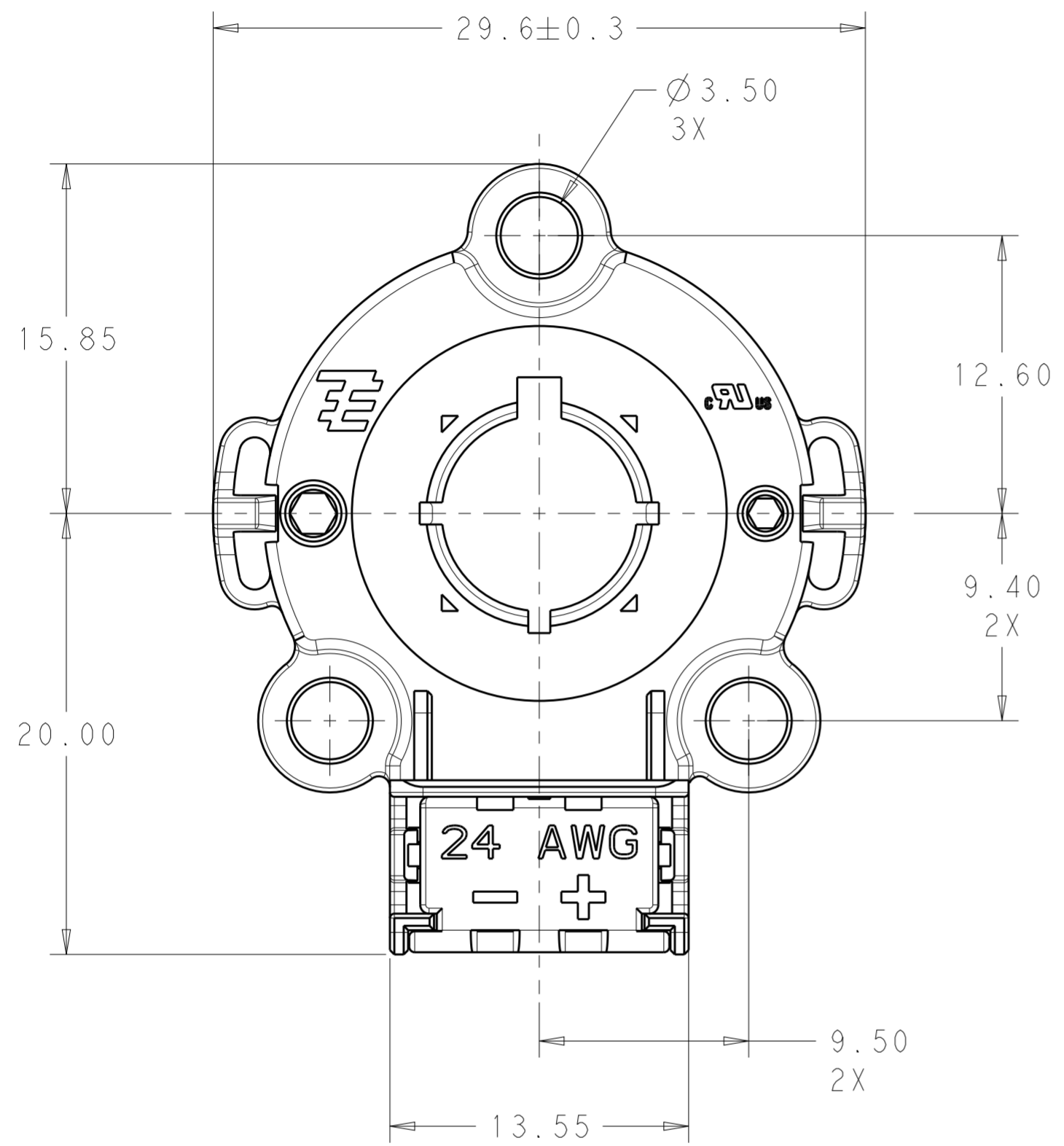


STUFFER CLOSED

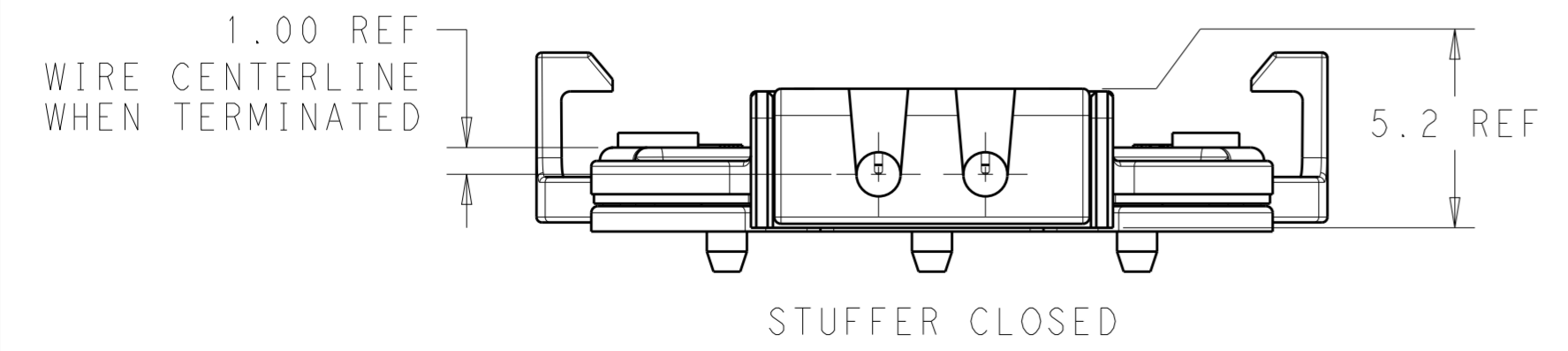
THIS DRAWING IS A CONTROLLED DOCUMENT.		DWN C. DAILY 14OCT2010	TE Connectivity	
		CHK R. NARANG 14OCT2010		
DIMENSIONS: mm		TOLERANCES UNLESS OTHERWISE SPECIFIED:		NAME ASSEMBLY, SOLDERLESS LED SOCKET, TYPE LS
		0 PLC ±	1 PLC ±0.2	PRODUCT SPEC 108-2455
		2 PLC ±0.15	3 PLC ±	APPLICATION SPEC 114-13294
		4 PLC ±	ANGLES ±	WEIGHT -
MATERIAL 1 -		FINISH ±2°	Customer Drawing	RESTRICTED TO -
		SCALE 4:1	SHEET 2 OF 4	REV A

THIS DRAWING IS UNPUBLISHED. RELEASED FOR PUBLICATION 20
 © COPYRIGHT 20 BY - ALL RIGHTS RESERVED.

REVISIONS							
LOC	DIST	P	LTR	DESCRIPTION	DATE	DWN	APVD
-	-	-	-	SEE SHEET 1	-	-	-



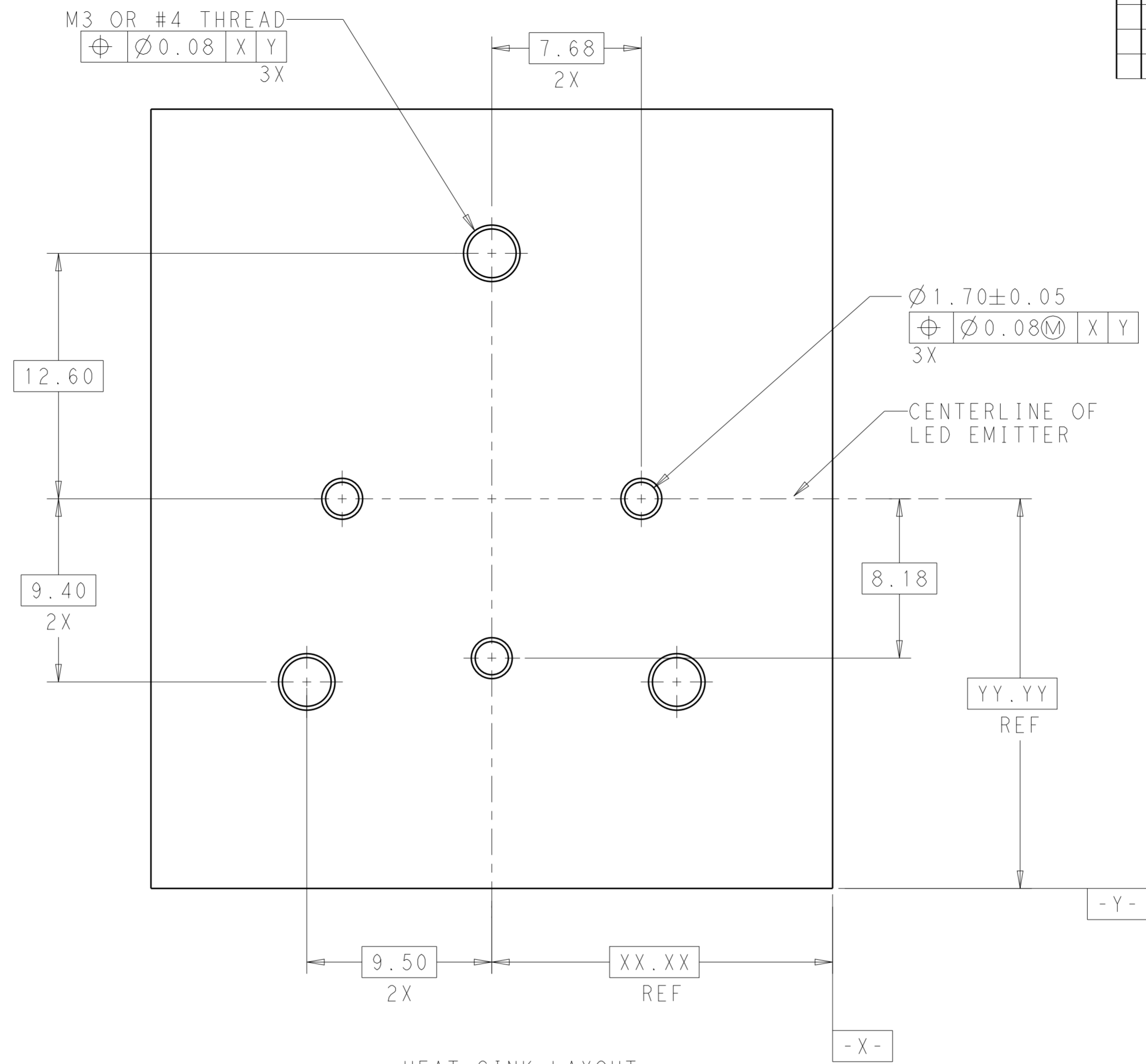
2154235-2 SHOWN



THIS DRAWING IS A CONTROLLED DOCUMENT.		DWN C. DAILY 14OCT2010	TE Connectivity	
DIMENSIONS: mm		CHK R. NARANG 14OCT2010		
TOLERANCES UNLESS OTHERWISE SPECIFIED:		APVD -	PRODUCT SPEC 108-2455	SIZE A200779
0 PLC ±		APPLICATION SPEC 114-13294	DRAWING NO C-2154235	RESTRICTED TO -
1 PLC ±0.2		WEIGHT -	SCALE 4:1	SHEET 3 OF 4
2 PLC ±0.15		Customer Drawing	REV A	
3 PLC ±				
4 PLC ±				
ANGLES ±2°				
FINISH				

THIS DRAWING IS UNPUBLISHED. RELEASED FOR PUBLICATION 20
 © COPYRIGHT 20 BY - ALL RIGHTS RESERVED.

LOC		DIST		REVISIONS			
P	LTR	DATE	DWN	APVD			
-	-	-	-	-	SEE SHEET 1		



HEAT SINK LAYOUT
 SCALE 5:1

THIS DRAWING IS A CONTROLLED DOCUMENT.		DWN C. DAILY 14OCT2010	STE TE Connectivity
		CHK R. NARANG 14OCT2010	
DIMENSIONS: mm		APVD -	NAME ASSEMBLY, SOLDERLESS LED SOCKET, TYPE LS
TOLERANCES UNLESS OTHERWISE SPECIFIED: 0 PLC ± 1 PLC ±0.2 2 PLC ±0.15 3 PLC ± 4 PLC ± ANGLES ±2° FINISH		PRODUCT SPEC 108-2455	SIZE A200779
MATERIAL -		APPLICATION SPEC 114-13294	DRAWING NO C-2154235
		WEIGHT -	RESTRICTED TO -
		Customer Drawing	SCALE 4:1 SHEET 4 OF 4 REV A

Mouser Electronics

Authorized Distributor

Click to View Pricing, Inventory, Delivery & Lifecycle Information:

[TE Connectivity:](#)

[2154235-1](#)