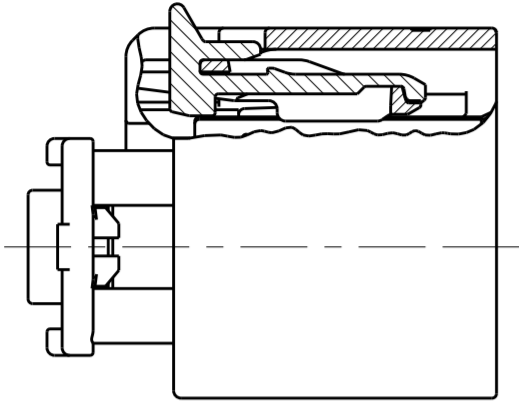
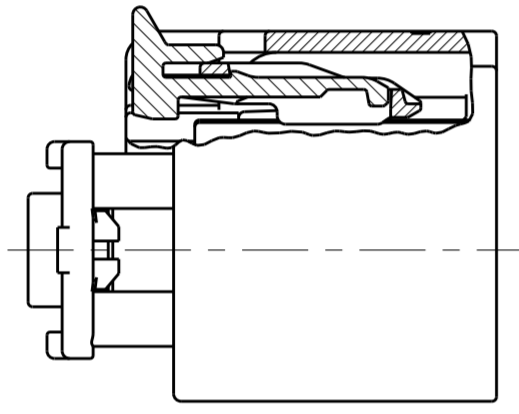


THIS DRAWING IS UNPUBLISHED. RELEASED FOR PUBLICATION 20  
 © COPYRIGHT 20 BY - ALL RIGHTS RESERVED.

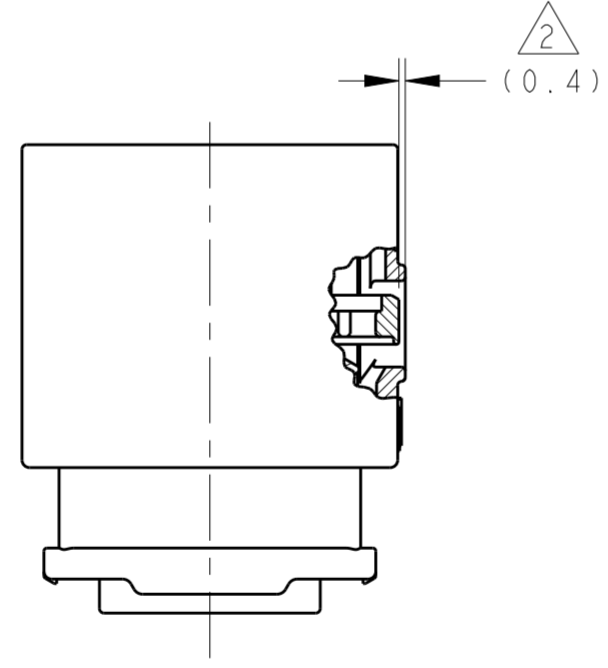
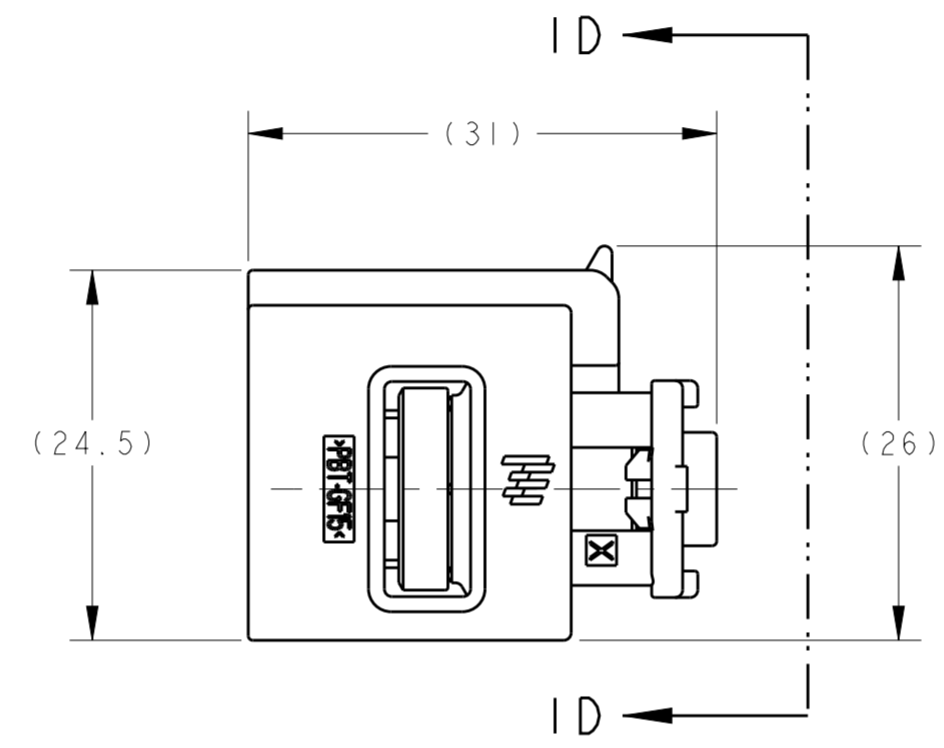
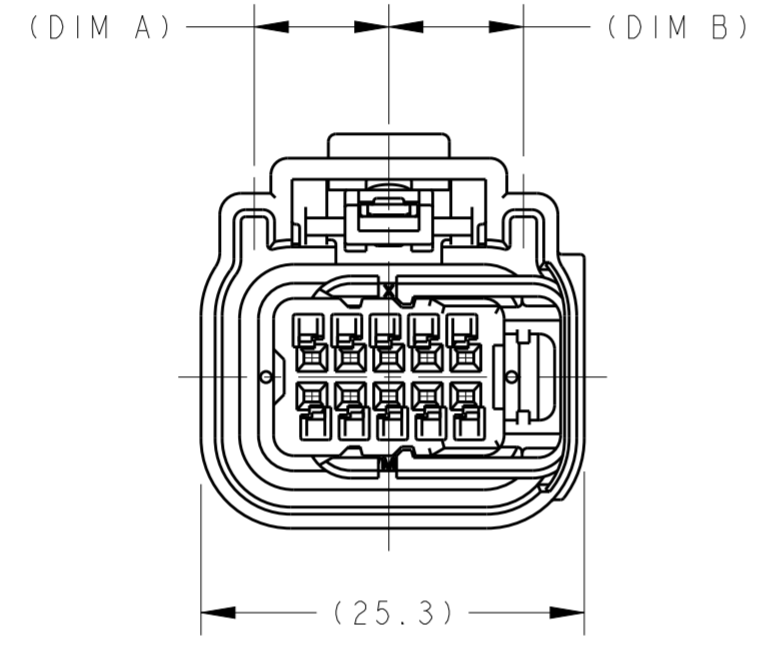
REVISIONS					
P	LTR	DESCRIPTION	DATE	DWN	APVD
B9		ECO-17-009985	01SEP2017	KP	CS
B10		REVISED PER ECO-17-012799	12SEP2017	JMS	CS
B11		REVISED PER ECO-17-016057	02NOV2017	JMS	CS
B12		REVISED PER ECO-18-000662	16JAN2018	JMS	CS



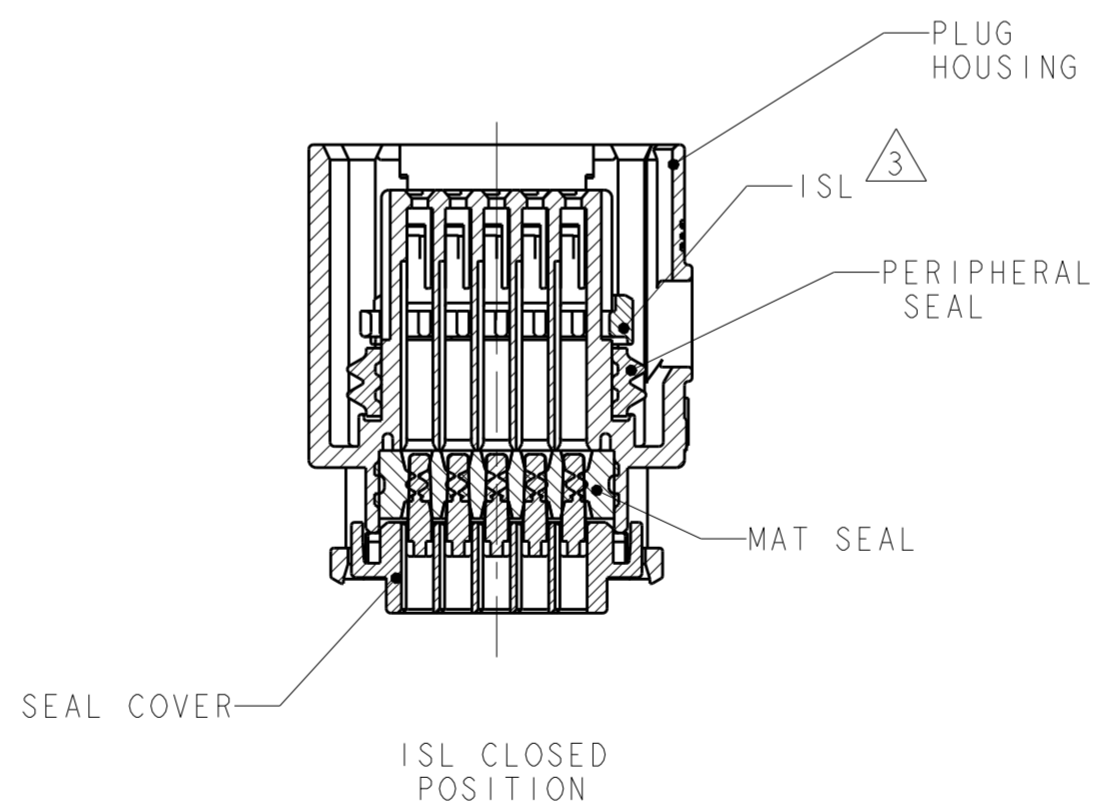
CPA CLOSED POSITION <sup>3</sup>



CPA PRE-LATCHED POSITION <sup>2</sup>



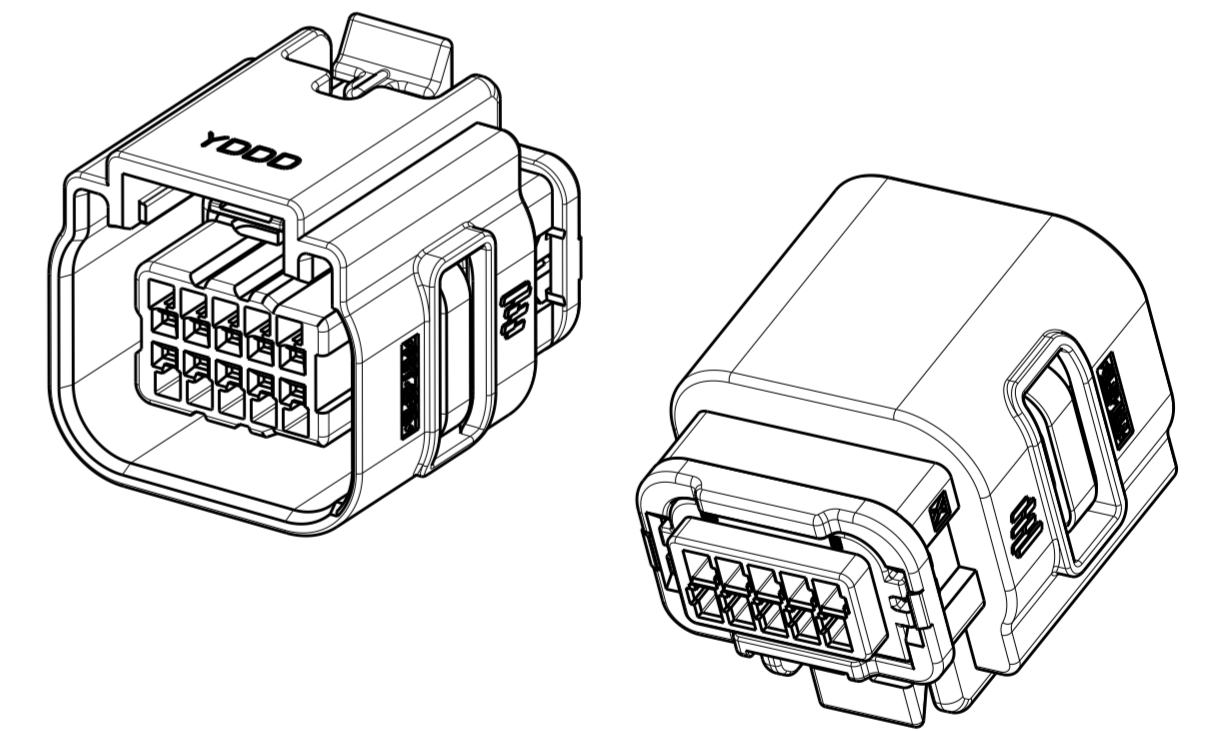
ISL PRE-LATCHED POSITION



ISL CLOSED POSITION

- <sup>1</sup> PLUG HOUSING: PBT, 15% GLASS-FILLED, COLOR: SEE TABLE  
 PERIPHERAL SEAL: SILICONE, GREEN  
 MAT SEAL: SILICONE, BLUE  
 SEAL COVER: NYLON 6/6, 15% GLASS-FILLED, BLACK  
 ISL: NYLON 6/6, 35% GLASS-FILLED, NATURAL  
 CPA: PBT, 33% GLASS-FILLED, GRAY

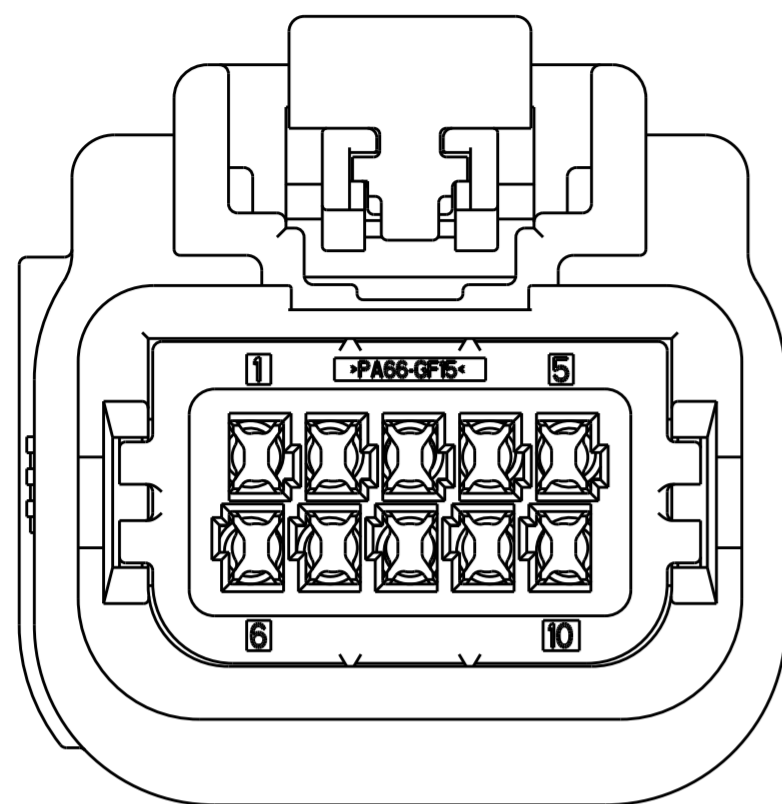
- <sup>2</sup> OPTIONAL CPA & ISL SHOWN IN PRE-LATCHED, AS SHIPPED, POSITION.
- <sup>3</sup> OPTIONAL CPA & ISL SHOWN IN CLOSED POSITION.
- 4. PLUG ASSEMBLY MATES WITH USCAR INTERFACE DRAWING 064-S-010-2-Z01.
- 5. PLUG ASSEMBLY WILL ACCEPT THE FOLLOWING TERMINAL PART NUMBERS: 2035170-1, 2035170-2
- <sup>6</sup> PART NUMBERS MARKED AS PRELIMINARY HAVE NOT BEEN RELEASED PER FORMAL QUALIFICATIONS.
- 7. REFERENCE INSTRUCTION SHEET 408-10350 FOR ASSEMBLY INSTRUCTIONS.



SEE SHEET 2 FOR PART NUMBERS AND CIRCUIT CONFIGURATIONS

THIS DRAWING IS A CONTROLLED DOCUMENT.		DWN S. VINAY 25MAR2009	TE Connectivity	
		CHK MD BROWN 14APR2009		
		APVD MD BROWN 14APR2009	NAME	
DIMENSIONS:		PRODUCT SPEC		
mm		APPLICATION SPEC		
		WEIGHT		
TOLERANCES UNLESS OTHERWISE SPECIFIED:		SCALE 2:1 SHEET 1 OF 2 REV B12		
0 PLC ±	1 PLC ±0.3	CUSTOMER DRAWING		
2 PLC ±0.1	3 PLC ±	RESTRICTED TO		
4 PLC ±	ANGLES ±1°	SIZE CAGE CODE DRAWING NO		
FINISH		A200779 C-2098269		

REVISIONS					
P	LTR	DESCRIPTION	DATE	DWN	APVD
-	-	SEE SHEET 1	-	-	-



VIEW ID-ID  
SCALE 4:1

<table border="1"> <tr><td>1</td><td>2</td><td>3</td><td>4</td><td>5</td></tr> <tr><td>X</td><td>X</td><td></td><td></td><td></td></tr> <tr><td>6</td><td>7</td><td>8</td><td>9</td><td>10</td></tr> <tr><td>X</td><td>X</td><td>X</td><td>X</td><td>X</td></tr> </table>	1	2	3	4	5	X	X				6	7	8	9	10	X	X	X	X	X	C16	<table border="1"> <tr><td>1</td><td>2</td><td>3</td><td>4</td><td>5</td></tr> <tr><td></td><td></td><td></td><td>X</td><td></td></tr> <tr><td>6</td><td>7</td><td>8</td><td>9</td><td>10</td></tr> <tr><td>X</td><td>X</td><td>X</td><td>X</td><td></td></tr> </table>	1	2	3	4	5				X		6	7	8	9	10	X	X	X	X		C15
1	2	3	4	5																																							
X	X																																										
6	7	8	9	10																																							
X	X	X	X	X																																							
1	2	3	4	5																																							
			X																																								
6	7	8	9	10																																							
X	X	X	X																																								
<table border="1"> <tr><td>1</td><td>2</td><td>3</td><td>4</td><td>5</td></tr> <tr><td></td><td></td><td></td><td></td><td></td></tr> <tr><td>6</td><td>7</td><td>8</td><td>9</td><td>10</td></tr> <tr><td></td><td>X</td><td></td><td>X</td><td></td></tr> </table>	1	2	3	4	5						6	7	8	9	10		X		X		C14	<table border="1"> <tr><td>1</td><td>2</td><td>3</td><td>4</td><td>5</td></tr> <tr><td>X</td><td>X</td><td>X</td><td>X</td><td>X</td></tr> <tr><td>6</td><td>7</td><td>8</td><td>9</td><td>10</td></tr> <tr><td>X</td><td></td><td></td><td>X</td><td>X</td></tr> </table>	1	2	3	4	5	X	X	X	X	X	6	7	8	9	10	X			X	X	C13
1	2	3	4	5																																							
6	7	8	9	10																																							
	X		X																																								
1	2	3	4	5																																							
X	X	X	X	X																																							
6	7	8	9	10																																							
X			X	X																																							
<table border="1"> <tr><td>1</td><td>2</td><td>3</td><td>4</td><td>5</td></tr> <tr><td>X</td><td>X</td><td>X</td><td>X</td><td>X</td></tr> <tr><td>6</td><td>7</td><td>8</td><td>9</td><td>10</td></tr> <tr><td></td><td></td><td></td><td>X</td><td>X</td></tr> </table>	1	2	3	4	5	X	X	X	X	X	6	7	8	9	10				X	X	C12	<table border="1"> <tr><td>1</td><td>2</td><td>3</td><td>4</td><td>5</td></tr> <tr><td></td><td></td><td></td><td></td><td></td></tr> <tr><td>6</td><td>7</td><td>8</td><td>9</td><td>10</td></tr> <tr><td>X</td><td>X</td><td>X</td><td></td><td></td></tr> </table>	1	2	3	4	5						6	7	8	9	10	X	X	X			C11
1	2	3	4	5																																							
X	X	X	X	X																																							
6	7	8	9	10																																							
			X	X																																							
1	2	3	4	5																																							
6	7	8	9	10																																							
X	X	X																																									
<table border="1"> <tr><td>1</td><td>2</td><td>3</td><td>4</td><td>5</td></tr> <tr><td></td><td></td><td></td><td></td><td></td></tr> <tr><td>6</td><td>7</td><td>8</td><td>9</td><td>10</td></tr> <tr><td></td><td></td><td>X</td><td></td><td></td></tr> </table>	1	2	3	4	5						6	7	8	9	10			X			C10	<table border="1"> <tr><td>1</td><td>2</td><td>3</td><td>4</td><td>5</td></tr> <tr><td>X</td><td>X</td><td></td><td></td><td></td></tr> <tr><td>6</td><td>7</td><td>8</td><td>9</td><td>10</td></tr> <tr><td>X</td><td>X</td><td></td><td></td><td>X</td></tr> </table>	1	2	3	4	5	X	X				6	7	8	9	10	X	X			X	C9
1	2	3	4	5																																							
6	7	8	9	10																																							
		X																																									
1	2	3	4	5																																							
X	X																																										
6	7	8	9	10																																							
X	X			X																																							
<table border="1"> <tr><td>1</td><td>2</td><td>3</td><td>4</td><td>5</td></tr> <tr><td>X</td><td>X</td><td>X</td><td></td><td></td></tr> <tr><td>6</td><td>7</td><td>8</td><td>9</td><td>10</td></tr> <tr><td></td><td>X</td><td>X</td><td></td><td></td></tr> </table>	1	2	3	4	5	X	X	X			6	7	8	9	10		X	X			C8	<table border="1"> <tr><td>1</td><td>2</td><td>3</td><td>4</td><td>5</td></tr> <tr><td></td><td></td><td></td><td></td><td></td></tr> <tr><td>6</td><td>7</td><td>8</td><td>9</td><td>10</td></tr> <tr><td>X</td><td>X</td><td></td><td></td><td>X</td></tr> </table>	1	2	3	4	5						6	7	8	9	10	X	X			X	C7
1	2	3	4	5																																							
X	X	X																																									
6	7	8	9	10																																							
	X	X																																									
1	2	3	4	5																																							
6	7	8	9	10																																							
X	X			X																																							
<table border="1"> <tr><td>1</td><td>2</td><td>3</td><td>4</td><td>5</td></tr> <tr><td></td><td></td><td></td><td></td><td></td></tr> <tr><td>6</td><td>7</td><td>8</td><td>9</td><td>10</td></tr> <tr><td></td><td></td><td>X</td><td></td><td>X</td></tr> </table>	1	2	3	4	5						6	7	8	9	10			X		X	C6	<table border="1"> <tr><td>1</td><td>2</td><td>3</td><td>4</td><td>5</td></tr> <tr><td></td><td></td><td></td><td></td><td></td></tr> <tr><td>6</td><td>7</td><td>8</td><td>9</td><td>10</td></tr> <tr><td></td><td></td><td></td><td></td><td>X</td></tr> </table>	1	2	3	4	5						6	7	8	9	10					X	C5
1	2	3	4	5																																							
6	7	8	9	10																																							
		X		X																																							
1	2	3	4	5																																							
6	7	8	9	10																																							
				X																																							
<table border="1"> <tr><td>1</td><td>2</td><td>3</td><td>4</td><td>5</td></tr> <tr><td></td><td></td><td>X</td><td>X</td><td></td></tr> <tr><td>6</td><td>7</td><td>8</td><td>9</td><td>10</td></tr> <tr><td></td><td></td><td>X</td><td>X</td><td>X</td></tr> </table>	1	2	3	4	5			X	X		6	7	8	9	10			X	X	X	C4	<table border="1"> <tr><td>1</td><td>2</td><td>3</td><td>4</td><td>5</td></tr> <tr><td>X</td><td></td><td></td><td></td><td></td></tr> <tr><td>6</td><td>7</td><td>8</td><td>9</td><td>10</td></tr> <tr><td></td><td></td><td></td><td></td><td></td></tr> </table>	1	2	3	4	5	X					6	7	8	9	10						C3
1	2	3	4	5																																							
		X	X																																								
6	7	8	9	10																																							
		X	X	X																																							
1	2	3	4	5																																							
X																																											
6	7	8	9	10																																							
<table border="1"> <tr><td>1</td><td>2</td><td>3</td><td>4</td><td>5</td></tr> <tr><td>X</td><td>X</td><td></td><td>X</td><td></td></tr> <tr><td>6</td><td>7</td><td>8</td><td>9</td><td>10</td></tr> <tr><td></td><td></td><td></td><td></td><td></td></tr> </table>	1	2	3	4	5	X	X		X		6	7	8	9	10						C2	<table border="1"> <tr><td>1</td><td>2</td><td>3</td><td>4</td><td>5</td></tr> <tr><td></td><td></td><td></td><td></td><td></td></tr> <tr><td>6</td><td>7</td><td>8</td><td>9</td><td>10</td></tr> <tr><td></td><td></td><td></td><td></td><td></td></tr> </table>	1	2	3	4	5						6	7	8	9	10						C1
1	2	3	4	5																																							
X	X		X																																								
6	7	8	9	10																																							
1	2	3	4	5																																							
6	7	8	9	10																																							

CIRCUIT CONFIGURATION

[X] INDICATES UNAVAILABLE (BLOCKED) CIRCUIT

COLOR	AVAILABILITY	CIRCUIT CONFIGURATION	OPTIONAL CPA	KEYING OPTION	PART NUMBER
BLACK	RELEASED	C16	YES	A	5-2098269-1
GRAY	RELEASED	C15	YES	B	5-2098269-0
GRAY	RELEASED	C14	YES	B	4-2098269-9
GRAY	RELEASED	C8	YES	B	4-2098269-8
GREEN	RELEASED	C13	YES	D	4-2098269-7
BLACK	RELEASED	C12	YES	A	4-2098269-6
BLACK	RELEASED	C11	YES	A	4-2098269-5
BLACK	RELEASED	C10	YES	A	4-2098269-4
BLACK	RELEASED	C9	YES	A	4-2098269-3
BLACK	RELEASED	C8	YES	A	4-2098269-2
BLACK	RELEASED	C7	YES	A	4-2098269-1
BROWN	RELEASED	C6	YES	C	4-2098269-0
GRAY	RELEASED	C6	YES	B	3-2098269-9
BLACK	RELEASED	C5	YES	A	3-2098269-8
BLACK	RELEASED	C4	YES	A	3-2098269-7
BLACK	RELEASED	C3	YES	A	3-2098269-6
BLACK	RELEASED	C2	YES	A	3-2098269-5
GREEN	PRELIMINARY	C1	YES	D	3-2098269-4
BROWN	RELEASED	C1	YES	C	3-2098269-3
GRAY	RELEASED	C1	YES	B	3-2098269-2
BLACK	RELEASED	C1	YES	A	3-2098269-1
BLACK	RELEASED	C2	NO	A	2098269-5
GREEN	RELEASED	C1	NO	D	2098269-4
BROWN	PRELIMINARY	C1	NO	C	2098269-3
GRAY	PRELIMINARY	C1	NO	B	2098269-2
BLACK	RELEASED	C1	NO	A	2098269-1

6.6	6.6	D
6.6	8.9	C
8.9	6.6	B
8.9	8.9	A
DIM B	DIM A	KEYING OPTION

THIS DRAWING IS A CONTROLLED DOCUMENT.

DWN S. VINAY 25MAR2009  
 CHK MD BROWN 14APR2009  
 APVD MD BROWN 14APR2009

**STE** TE Connectivity

PLUG ASSEMBLY, 10 POSITION (2x5), SEALED, GENERATION Y

SIZE A2 CAGE CODE 00779 DRAWING NO C-2098269 RESTRICTED TO -

MATERIAL - TOLERANCES UNLESS OTHERWISE SPECIFIED: 0 PLC ±0.3, 1 PLC ±0.3, 2 PLC ±0.1, 3 PLC ±, 4 PLC ANGLES ±1° FINISH -

PRODUCT SPEC - APPLICATION SPEC - WEIGHT -

CUSTOMER DRAWING SCALE 2:1 SHEET 2 OF 2 REV B12

# Mouser Electronics

Authorized Distributor

Click to View Pricing, Inventory, Delivery & Lifecycle Information:

[TE Connectivity:](#)

[3-2098269-6](#)