

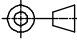


CODE 40 - BRAID TAIL BACKSHELL

208M716-19B08

SERIES _____
 ORDER NUMBER (TABLE 1) _____
 MATERIAL _____
 REFER TO CH00-0250-004 _____
 FINISH _____
 REFER TO CH00-0250-004 (2) _____
 ENTRY SIZE (TABLE 2) _____

NOTES:

1. THIS PRODUCT IS DESIGNED TO TERMINATE A HEAT SHRINKABLE LIPPED BOOT TO A CONNECTOR.
- 2 FOR ADDITIONAL DIMENSIONS, ORDERING INFORMATION AND MODIFICATIONS, SEE CH00-0250-004.
3. BACKSHELL TO BE PERMANENTLY MARKED/BAGGED AND LABELLED WITH CODE IDENTIFICATION NUMBER AND PART NUMBER. (e.g. 06090-208M712-19B08).
- 4 WHEN ENTRY SIZE EXCEEDS "MAX ENTRY", A 2 PIECE BACKSHELL (TYPE 2) IS SUPPLIED.
5. BRAID TERMINATION RING MAY BE SUPPLIED AS TINEL-LOCK SHAPE MEMORY RING AT MANUFACTURERS OPTION.
6. BACKSHELL MATES TO MIL-DTL-38999, SERIES III AND IV, CLASS C, F, K, AND W, D38999/20, /24, /26, /40, /46 AND /47 CONNECTORS, AND WHEN SO MATED SHALL PROVIDE A WATER-TIGHT SEAL MEETING THE REQUIREMENTS OF MIL-C-85049, PARA. 3. 5. 7.

| | | | | | | | | | | |
|--|---------------------------|-------------|-----------------|---|--|----------------------|--|-------------------------------|--------------------------|-----------------|
| DRAWN | K.WINCZURA | DATE | 18/02/2015 |  3RD ANGLE PROJECTION NOT TO SCALE | TITLE: | BRAID TAIL BACKSHELL |  Polamco  connectivity | | | |
| CHECKED | | DATE | 18/02/2015 | | | | | | | |
| APPROVED | K.SHEPPARD | DATE | 24/02/2015 | | UNLESS OTHERWISE SPECIFIED ALL DIMENSIONS IN MILLIMETRES GENERAL TOL LINEAR +/-0.25MM ANGULAR +/- 1° | ASSY USED ON: | | MIL-DTL-38999 SERIES III & IV | | |
| APPROVED | H.SMITH | DATE | 05/10/2015 | | | | | | | |
| REVISIONS | | | | | | | | | | |
| LTR | DESCRIPTION | DATE | APPROVED | | | | | | | |
| R | REVISED PER ECO-15-013980 | 05.10.15 | H.SMITH | | | | | | | |
| S | REVISED PER ECO-17-009011 | 21.06.17 | D.JONES | | | | | | | |
| TE CAGE CODE: 06090 POLAMCO/TE CAGE CODE: U5792 | | | | | TE CONNECTIVITY - POLAMCO LTD RESERVES THE RIGHT TO AMEND THIS DRAWING AND THE INFORMATION SET FORTH HEREON AT ANY TIME. USERS SHOULD INDEPENDENTLY EVALUATE THE SUITABILITY OF THE PRODUCT FOR THEIR APPLICATION. | | | DRAWING NO: 208M7XX | DRAWING REV: S | SHT 1 |

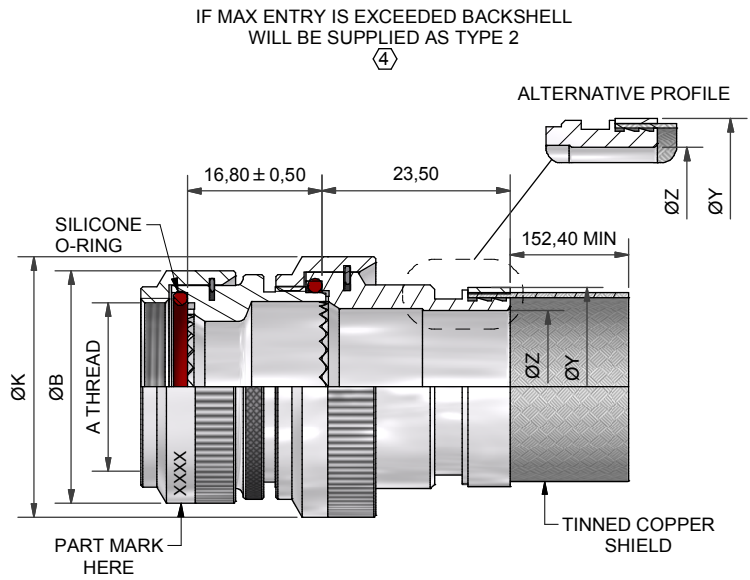
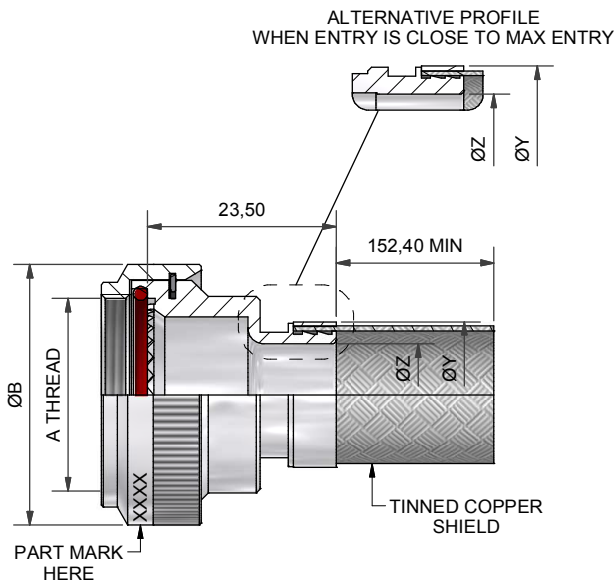


TABLE 1

| ORDER NUMBER | SHELL SIZE COML / MIL | A THREAD | ØB MAX | MAX ENTRY ④ |
|--------------|-----------------------|----------|--------|-------------|
| 08 | 9 / A | M12x1.0 | 18,0 | 04 |
| 10 | 11 / B | M15x1.0 | 21,0 | 07 |
| 12 | 13 / C | M18x1.0 | 24,5 | 09 |
| 14 | 15 / D | M22x1.0 | 29,0 | 10 |
| 16 | 17 / E | M25x1.0 | 32,5 | 12 |
| 18 | 19 / F | M28x1.0 | 35,5 | 14 |
| 20 | 21 / G | M31x1.0 | 37,0 | 16 |
| 22 | 23 / H | M34x1.0 | 40,0 | 18 |
| 24 | 25 / J | M37x1.0 | 43,5 | 20 |

TABLE 2

| ENTRY SIZE | ØK MAX | ØZ REF | ØY REF |
|------------|--------|--------|--------|
| 03 | NA | 4,77 | 13,1 |
| 04 | NA | 6,35 | 13,1 |
| 05 | 21,0 | 7,92 | 13,1 |
| 06 | 21,0 | 9,52 | 17,9 |
| 07 | 21,0 | 11,12 | 17,9 |
| 08 | 24,5 | 12,70 | 17,9 |
| 09 | 24,5 | 14,27 | 17,9 |
| 10 | 29,0 | 15,87 | 24,2 |
| 11 | 32,5 | 17,47 | 24,2 |
| 12 | 32,5 | 19,05 | 24,2 |
| 13 | 35,5 | 20,62 | 24,2 |
| 14 | 35,5 | 22,23 | 30,6 |
| 15 | 37,0 | 23,82 | 30,6 |
| 16 | 37,0 | 25,40 | 30,6 |
| 17 | 40,0 | 26,98 | 33,2 |
| 18 | 40,0 | 28,60 | 33,2 |
| 20 | 43,5 | 31,80 | 42,0 |
| 21 | 48,5 | 33,34 | 42,0 |
| 22 | 48,5 | 35,00 | 42,0 |
| 24 | 52,1 | 38,10 | 42,0 |
| 28 | 58,5 | 44,45 | 49,0 |

| DRAWN | K.WINCZURA | DATE | 18/02/2015 |
|----------|------------|------|------------|
| CHECKED | | DATE | 18/02/2015 |
| APPROVED | K.SHEPPARD | DATE | 24/02/2015 |
| APPROVED | H.SMITH | DATE | 05/10/2015 |

3RD ANGLE PROJECTION NOT TO SCALE

UNLESS OTHERWISE SPECIFIED ALL DIMENSIONS IN MILLIMETRES

GENERAL TOL
LINEAR +/-0,25MM
ANGULAR +/- 1°

| REVISIONS | | | |
|-----------|---------------------------|----------|----------|
| LTR | DESCRIPTION | DATE | APPROVED |
| R | REVISED PER ECO-15-013980 | 05.10.15 | H.SMITH |
| S | REVISED PER ECO-17-009011 | 21.06.17 | D.JONES |

TITLE: BRAID TAIL BACKSHELL

ASSY USED ON: MIL-DTL-38999 SERIES III & IV



TE CAGE CODE: 06090
POLAMCO/TE CAGE CODE: U5792

TE CONNECTIVITY - POLAMCO LTD RESERVES THE RIGHT TO AMEND THIS DRAWING AND THE INFORMATION SET FORTH HEREON AT ANY TIME. USERS SHOULD INDEPENDENTLY EVALUATE THE SUITABILITY OF THE PRODUCT FOR THEIR APPLICATION.

DRAWING NO: 208M7XX

DRAWING REV: S

SHT 2

Mouser Electronics

Authorized Distributor

Click to View Pricing, Inventory, Delivery & Lifecycle Information:

[TE Connectivity:](#)

[208M712-19B08](#)