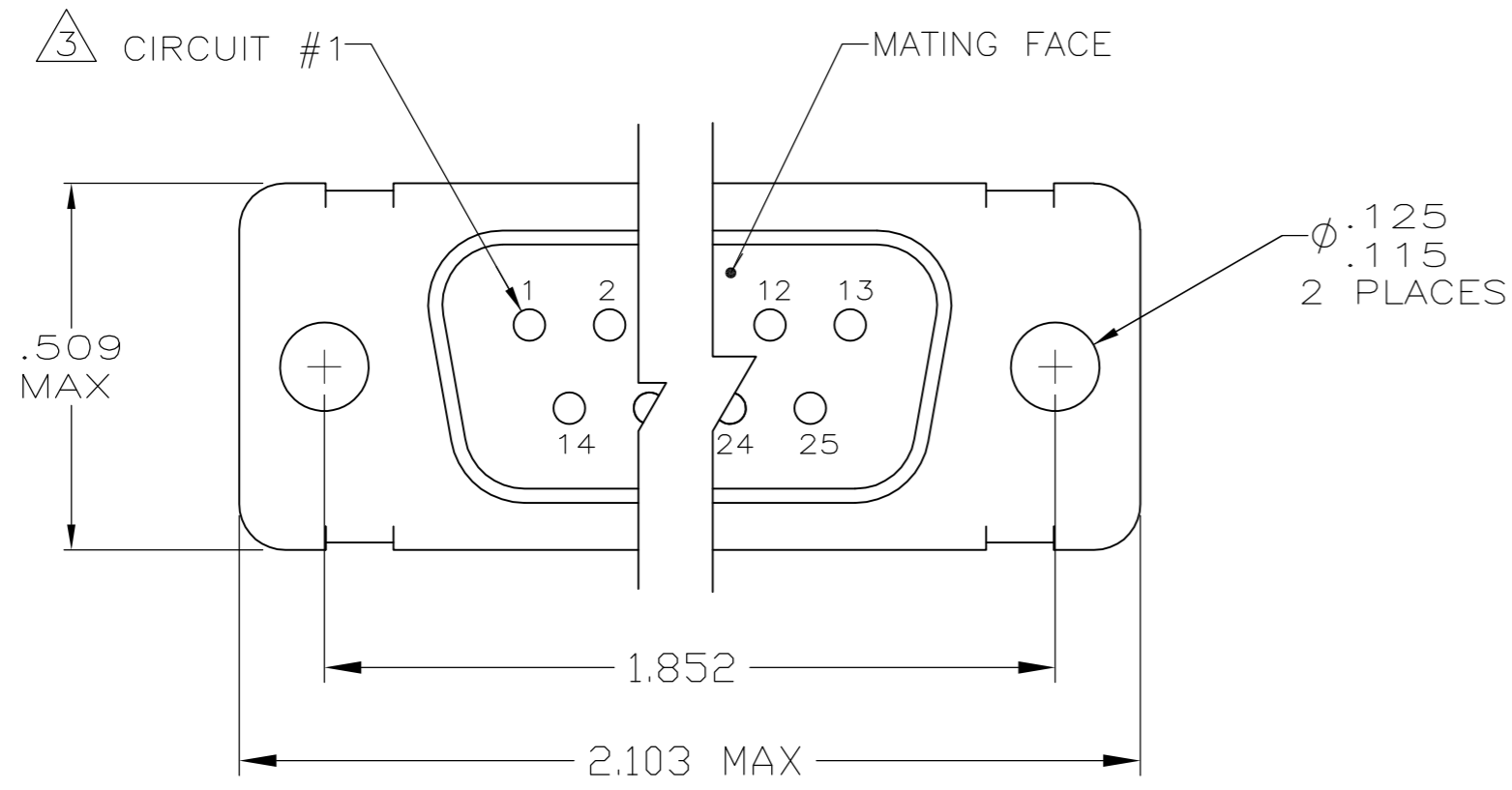
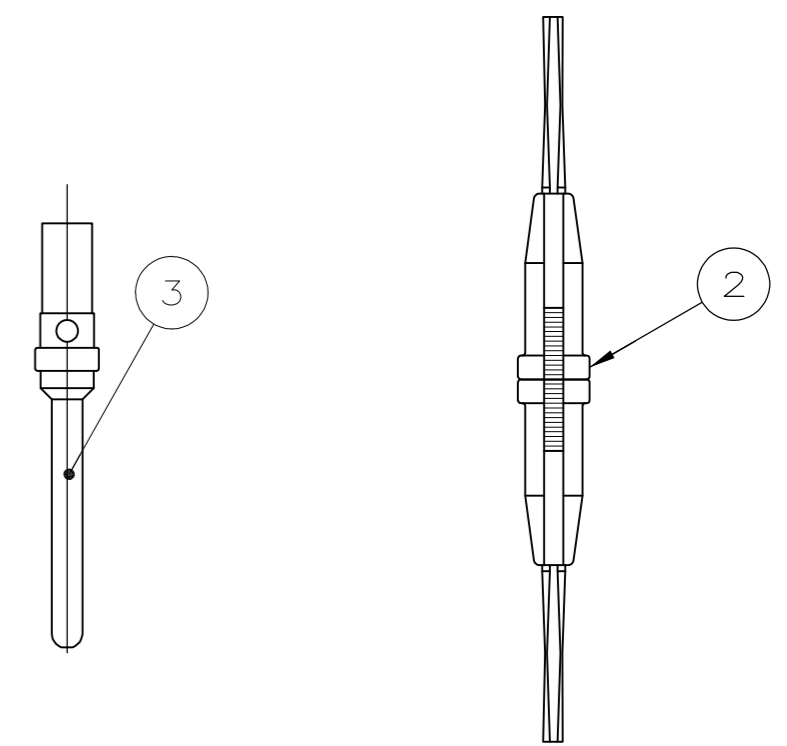
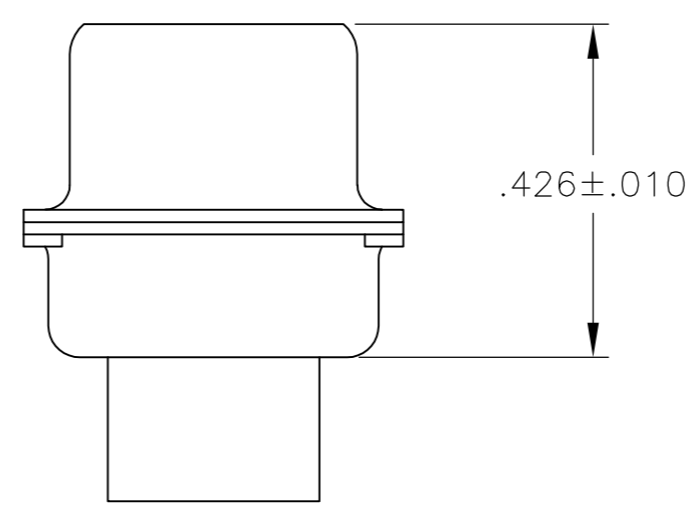
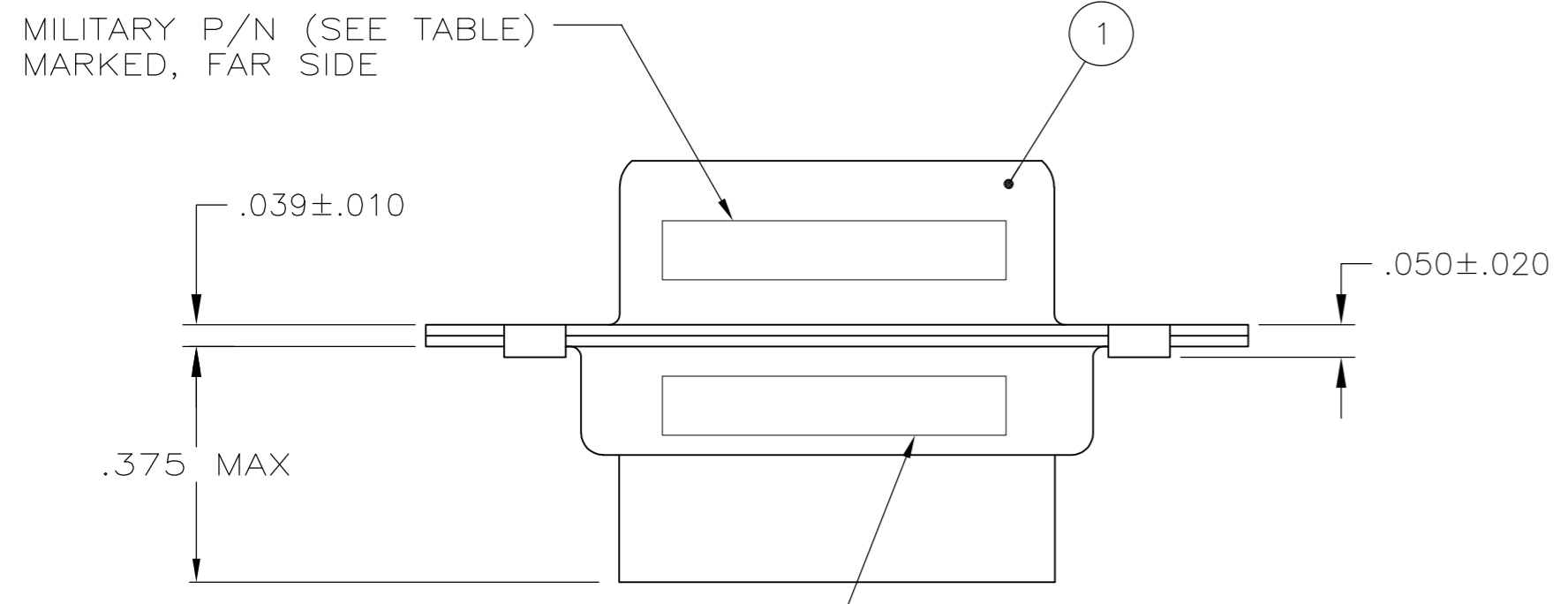


THIS DRAWING IS UNPUBLISHED. RELEASED FOR PUBLICATION  
 © COPYRIGHT - By - ALL RIGHTS RESERVED.

LOC		DIST		REVISIONS			
P	LTR	DESCRIPTION	DATE	DWN	APVD		
-	-	K	REVISED PER ECO-12-017755	15OCT12	PY	RL	



1 FOR CONNECTOR ASSEMBLIES, TE CONNECTIVITY CONTACT PART NOS. 205089-1 MUST BE ORDERED SEPARATELY. CONNECTORS WITH CONTACTS ARE SUPPLIED WITH CONTACT 205089-1



MFG'S NAME, BRAND OR LOGO AND DATE CODE MARKED, FAR SIDE

MILITARY P/N (SEE TABLE) MARKED, FAR SIDE

OBSELETE	205560-5	M24308/8-8F	205089-1	91067-2	205166-2	205560-5
SUPERSEDED BY 206800-2 AND 205089-1	205560-4	M24308/8-3F	205089-1	-	205166-2	205560-4
	205560-3	M24308/4-8F	205089-1	91067-2	205166-1	205560-3
	205560-2	M24308/4-3F	205089-1	-	205166-1	205560-2
SUPERSEDED BY 205166-1 AND 91067-2	205560-1	-	-	91067-2	205166-1	205560-1
	P/N MARKED ON PACKAGE	MILITARY P/N MARKED ON PACKAGE	3 PIN CONTACT QTY. = 25	1 INSERTION/EXTRACTION TOOL QTY. = 1	2 PLUG ASSY QTY. = 1	1 PART NUMBER

THIS DRAWING IS A CONTROLLED DOCUMENT.

DWN P. YEAGER 11MAR09		TE Connectivity	
CHK R. LEASE 12MAR09		NAME	
APVD R. LEASE 12MAR09		AMPLIMITE, KIT,HDM-20, SERIES, PLUG, SIZE 3, 25 POSITION	
PRODUCT SPEC		-	
APPLICATION SPEC	SIZE A2	CAGE CODE 00779	DRAWING NO C-205560
WEIGHT -	SCALE 4:1	SHEET 1 of 1	REV K
CUSTOMER DRAWING			

DIMENSIONS:	TOLERANCES UNLESS OTHERWISE SPECIFIED:
INCHES	0 PLC ± -
	1 PLC ± -
	2 PLC ± -
	3 PLC ± .005
	4 PLC ± -
	ANGLES ± -
MATERIAL -	FINISH -

# Mouser Electronics

Authorized Distributor

Click to View Pricing, Inventory, Delivery & Lifecycle Information:

[TE Connectivity:](#)

[M24308/4-3F](#)