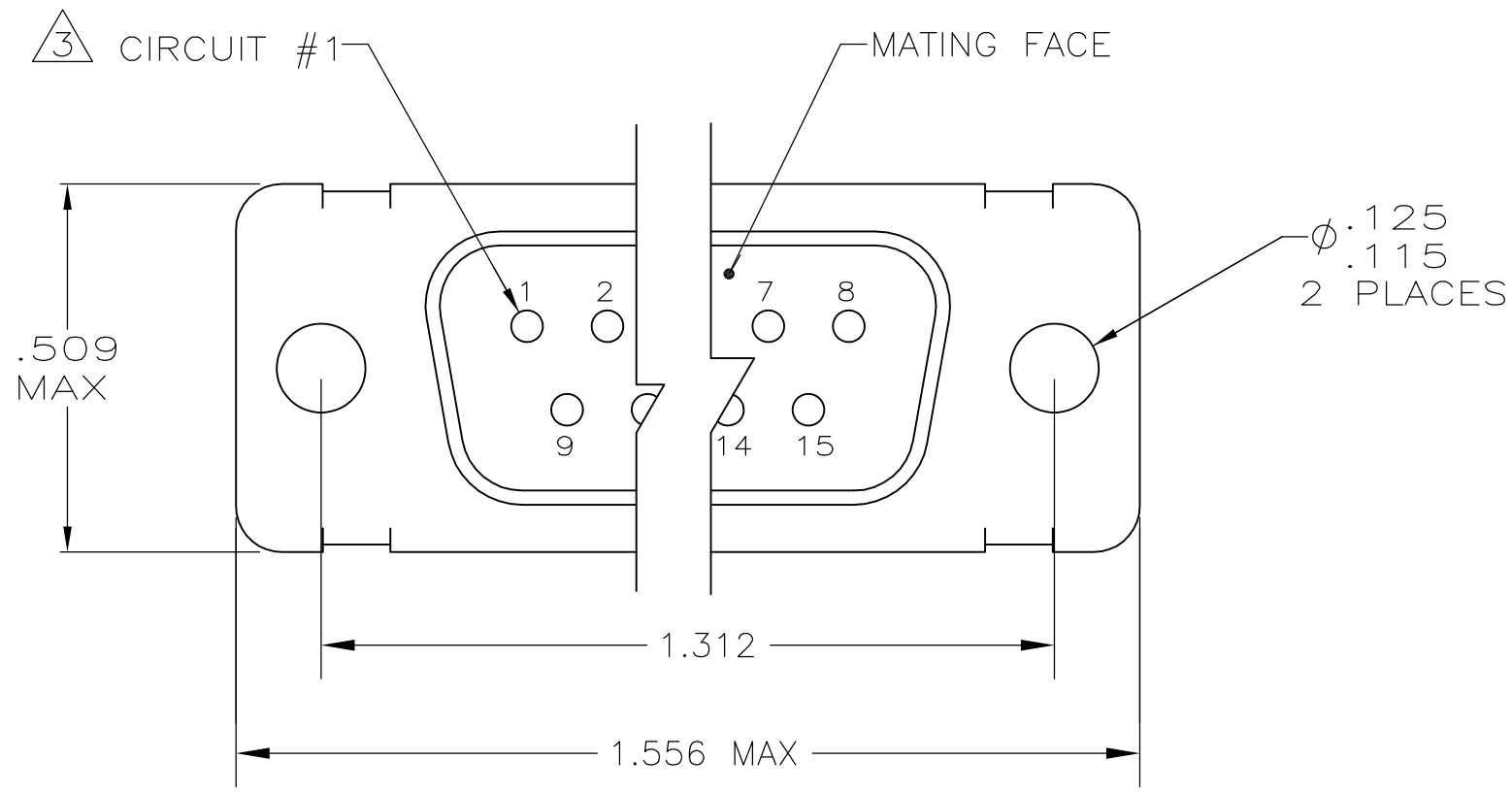
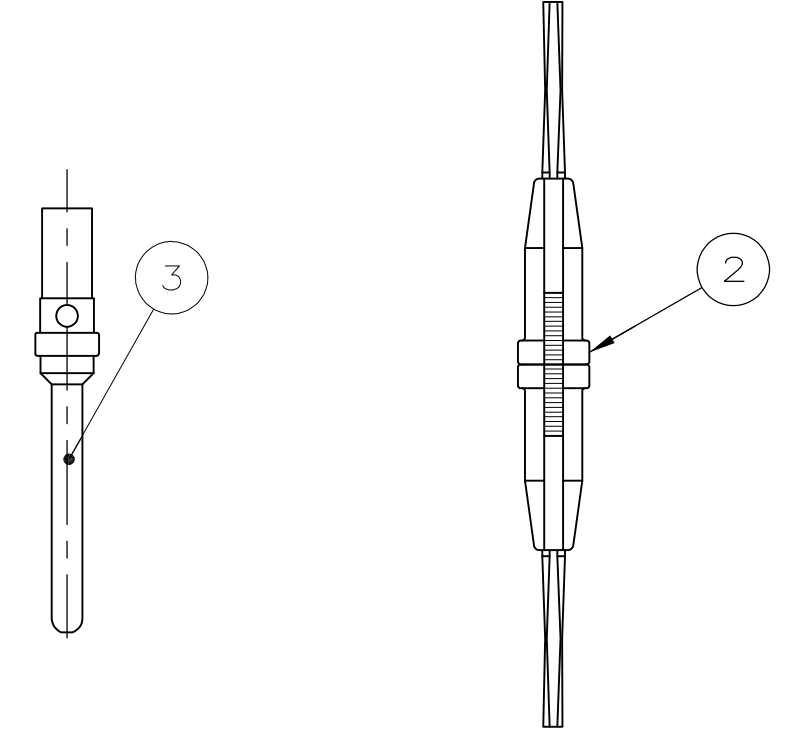
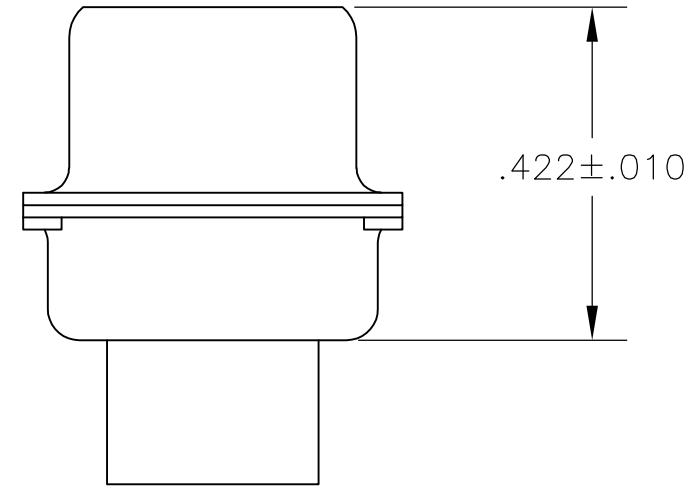
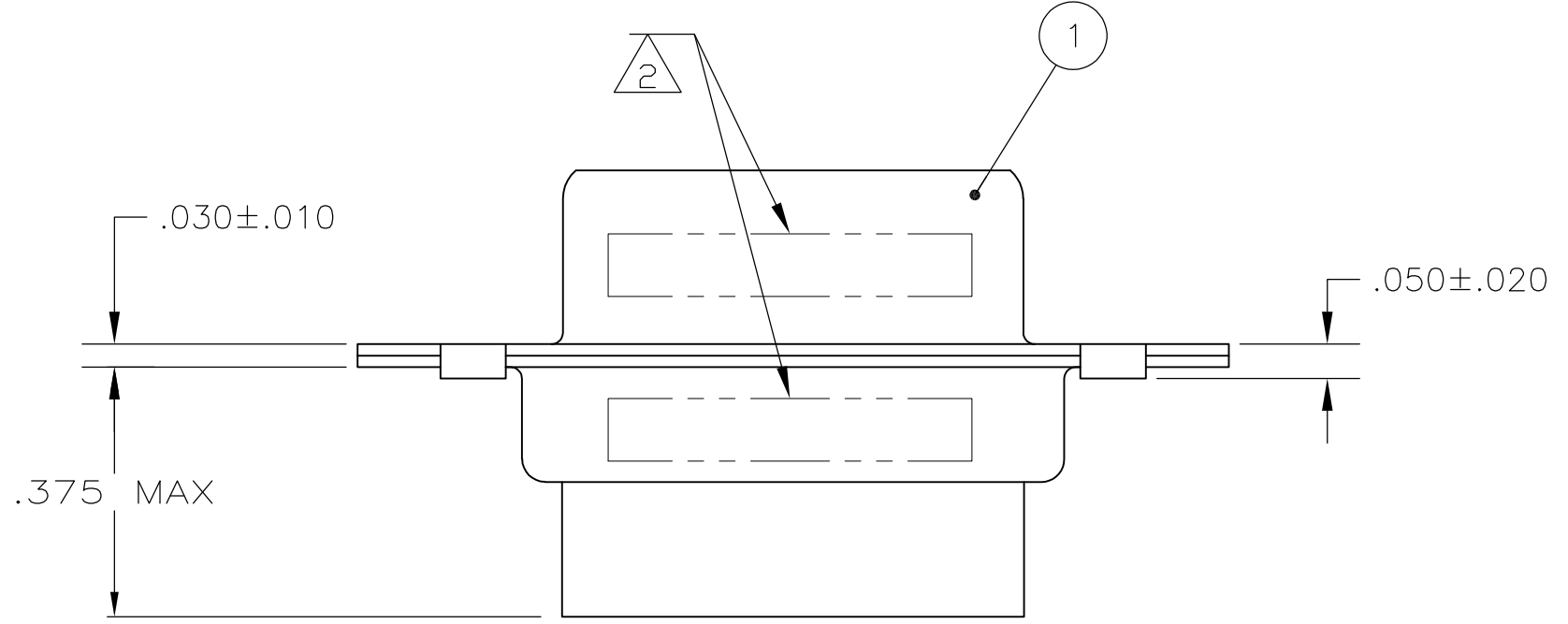


THIS DRAWING IS UNPUBLISHED. RELEASED FOR PUBLICATION  
 © COPYRIGHT BY TYCO ELECTRONICS CORPORATION. ALL INTERNATIONAL RIGHTS RESERVED.

| LOC |     | DIST                  |  | REVISIONS |     |      |  |
|-----|-----|-----------------------|--|-----------|-----|------|--|
| P   | LTR | DESCRIPTION           |  | DATE      | DWN | APVD |  |
|     | H   | REV PER ECO 09-016309 |  | 9-1-09    | CT  | RL   |  |



- 1 FOR CONNECTOR ASSEMBLIES, TE CONTACT PART NOS. 205089-1 MUST BE ORDERED SEPARATELY. CONNECTORS WITH CONTACTS ARE SUPPLIED WITH CONTACT 205089-1
- 2 MARKING SHALL BE LOCATED ON PART AS FOLLOWS:
  - A. "M24308" ON FRONT SHELL, FAR SIDE.
  - B. SLASH SHEET AND DASH NUMBER ON REAR SHELL, FAR SIDE.
  - C. "MFG'S NAME, BRAND OR LOGO" AND DATE CODE ON FRONT SHELL, NEAR SIDE.
  - D. MFG'S PART NUMBER ON REAR SHELL, NEAR SIDE.



|   |          |             |             |          |          |          |
|---|----------|-------------|-------------|----------|----------|----------|
| SUPERSEDED BY 206795-2 & 205089-1 & 91067-2 | 205558-5 | M24308/8-7F | 205089-1    | 91067-2  | 205164-2 | 205558-5 |
|   | OBSOLETE | 205558-4    | M24308/8-2F | 205089-1 | -        | 205558-4 |
|   |          | 205558-3    | M24308/4-7F | 205089-1 | 91067-2  | 205558-3 |
|   |          | 205558-2    | M24308/4-2F | 205089-1 | -        | 205558-2 |
| SUPERSEDED BY 205164-1 AND 91067-2          | 205558-1 | -           | -           | 91067-2  | 205164-1 | 205558-1 |

|                          |                                |                         |   |                                      |                      |             |
|--------------------------|--------------------------------|-------------------------|---|--------------------------------------|----------------------|-------------|
| TE P/N MARKED ON PACKAGE | MILITARY P/N MARKED ON PACKAGE | 3 PIN CONTACT QTY. = 15 | 1 | 2 INSERTION/EXTRACTION TOOL QTY. = 1 | 1 PLUG ASSY QTY. = 1 | PART NUMBER |
|--------------------------|--------------------------------|-------------------------|---|--------------------------------------|----------------------|-------------|

THIS DRAWING IS A CONTROLLED DOCUMENT.

|                       |   |
|-----------------------|---|
| DWN P. YEAGER 11MAR09 | Tyco Electronics Corporation<br>Harrisburg, PA 17105-3608     |
| CHK R. LEASE 12MAR09  |   |
| APVD R. LEASE 12MAR09 |   |
| PRODUCT SPEC          |   |
| APPLICATION SPEC      | NAME AMPLIMITE, KIT,HDM-20, SERIES, PLUG, SIZE 2, 15 POSITION |
| WEIGHT -              | SIZE A2 CAGE CODE 00779 C=205558                              |
| CUSTOMER DRAWING      | RESTRICTED TO -   |
|                       | SCALE 4:1 SHEET 1 of 1 REV H                                  |

205558

# Mouser Electronics

Authorized Distributor

Click to View Pricing, Inventory, Delivery & Lifecycle Information:

[TE Connectivity:](#)

[M24308/4-7F](#)