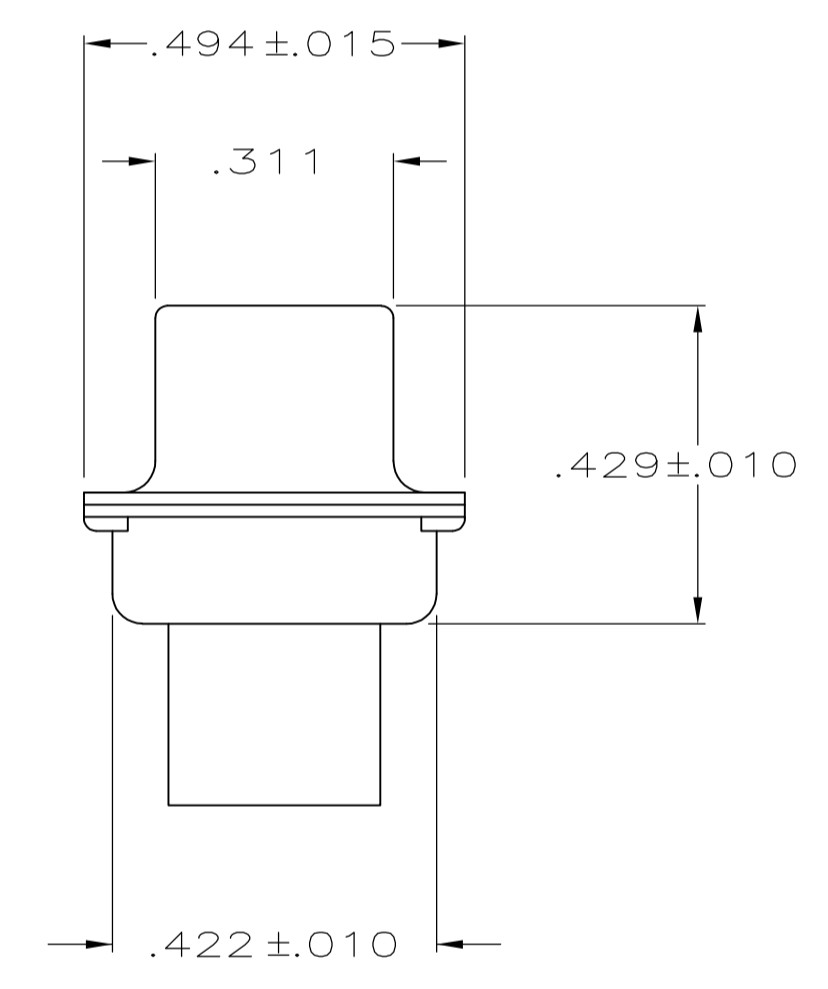
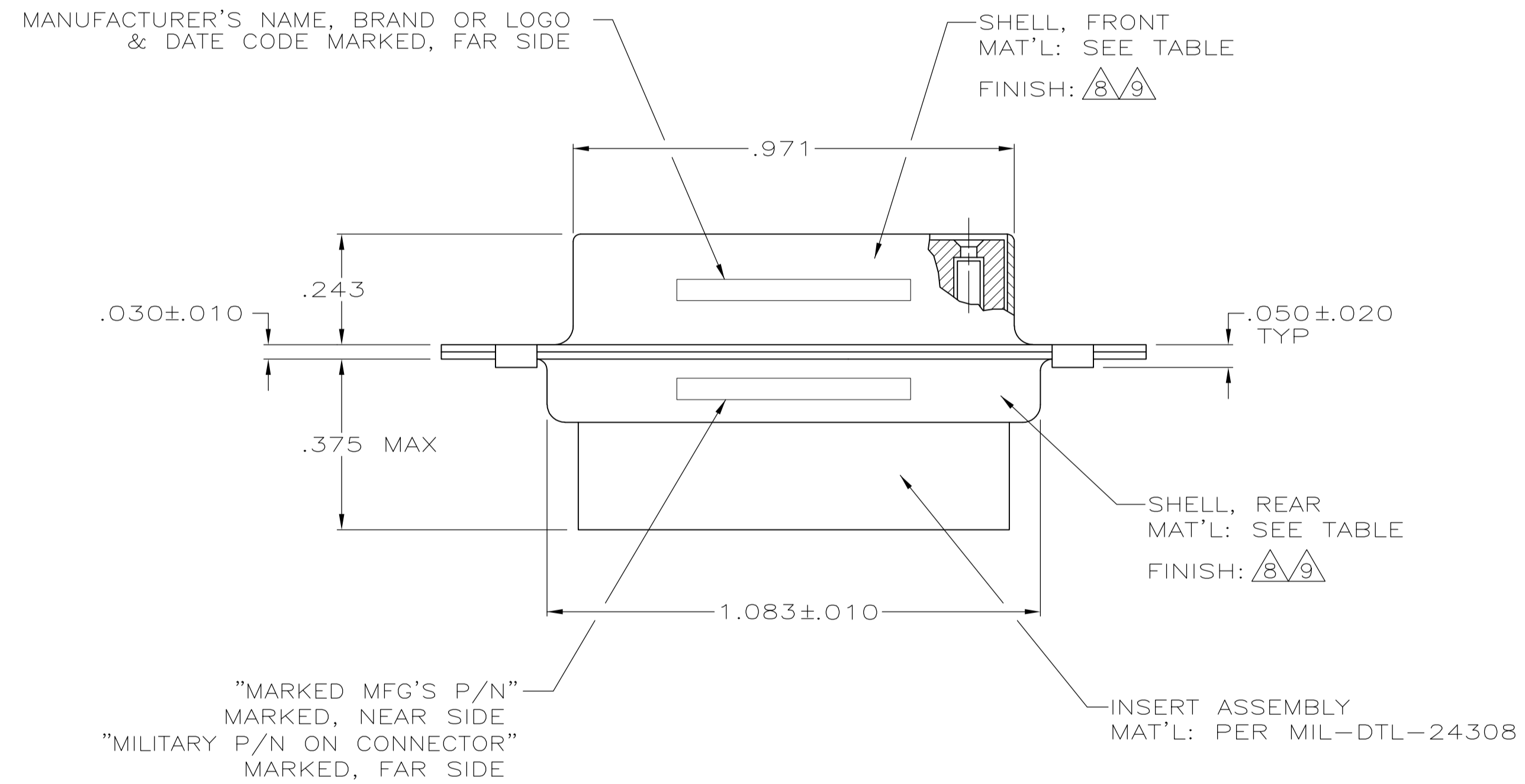
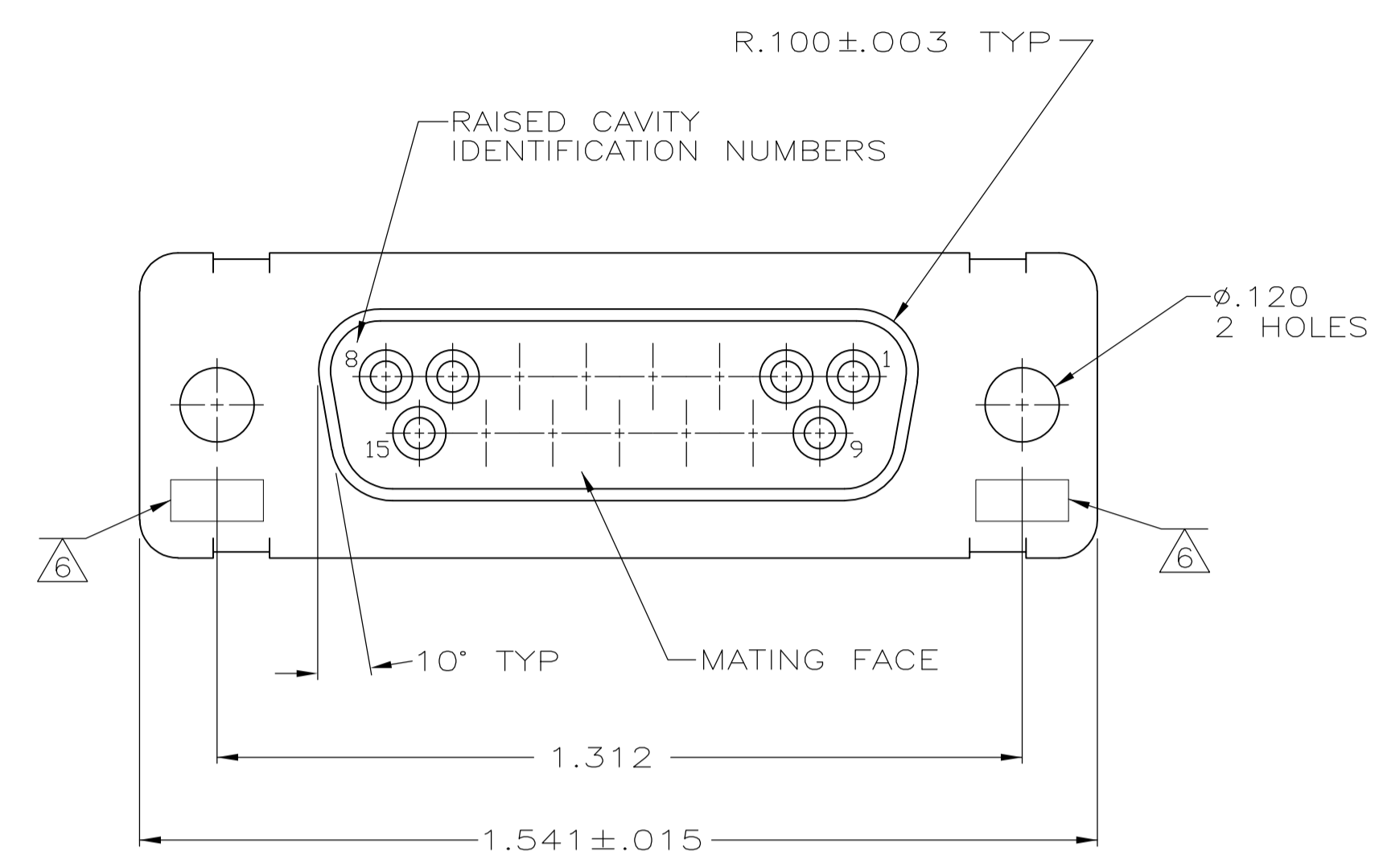


REVISIONS							
LOC	DIST	P	LTR	DESCRIPTION	DATE	DWN	APVD
		R		REV PER ECO-15-016062	10NOV15	KG	CD

- THIS RCPT. IS DESIGNED TO CONFORM TO THE LATEST ISSUE OF MIL-C-24308.
  - MAX WIRE INSUL TO BE USED WITH THIS RCPT IS .068 DIA.
  - STAINLESS STEEL RETENTION CLIPS ARE INCLUDED IN INSERTS.
  - THIS RCPT. WILL ACCEPT SIZE 20 SOCKET CONTACT M39029/63-368 OR ANY TYCO HD-20 SOCKET CONTACT. CONTACTS ORDERED SEPARATELY.
- ⑤ MFG'S PART NO. MARKED ON CONNECTOR REPRESENTS KIT NUMBER WITH CONTACTS.
  - ⑥ UL/CSA DESIGNATION STAMPED IN THIS AREA, OPTIONAL.
  - ⑦ RESTRICTED ITAR ASSEMBLY.
  - ⑧ CADMIUM PER QQ-P-416.
  - ⑨ BRIGHT TIN PER ASTM-B-545 .000400-.000550 THK OVER COPPER PER AMS2418 .000050 MIN THK.



205163-5	-	-	-	⑨	STEEL PER ASTM-A-109	205163-5
-	-	-	⑦	-	-	205163-4
SUPSD BY 205187-1	-	-	-	-	STEEL PER ASTM-A-109	205163-3
SUPSD BY 206799-2	-	-	-	-	BRASS	205163-2
205557-2	M24308/2-282F	M24308/2-2F	⑤	⑧	STEEL PER ASTM-A-109	205163-1
MFG'S P/N MARKED ON CONNECTOR	MILITARY P/N ON PACKAGE	MILITARY P/N ON CONNECTOR	REMARKS	SHELL FINISH	SHELL MAT'L	PART NO.

THIS DRAWING IS A CONTROLLED DOCUMENT.

DIMENSIONS: INCHES	TOLERANCES UNLESS OTHERWISE SPECIFIED:	DIN C.C.THOMAS 12-DEC-87	TE Connectivity
0 PLC ± -	1 PLC ± -	CHK F.C.BALLEW 10-DEC-87	APVD F.C.BALLEW 10-DEC-87
2 PLC ± -	3 PLC ± .005	NAME	
4 PLC ± -	ANGLES ± 0'30"	PRODUCT SPEC	
MATERIAL SEE CALLOUTS	FINISH SEE CALLOUTS	APPLICATION SPEC	SIZE CASE CODE DRAWING NO
		WEIGHT	A1 00779C=205163
		CUSTOMER DRAWING	RESTRICTED TO

SCALE 4:1 SHEET 1 OF 1 REV R

# Mouser Electronics

Authorized Distributor

Click to View Pricing, Inventory, Delivery & Lifecycle Information:

[TE Connectivity:](#)

[205163-4](#)