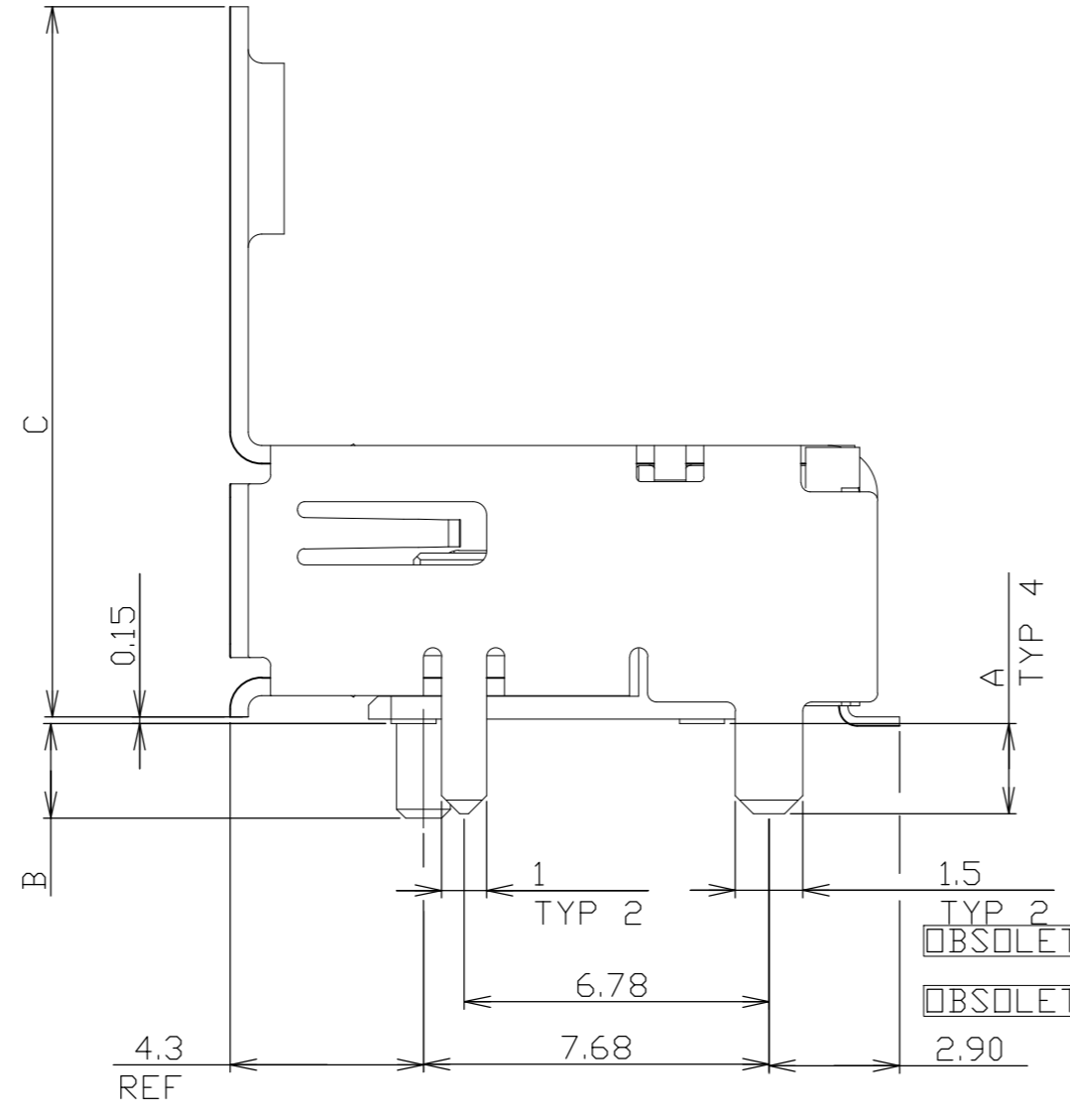
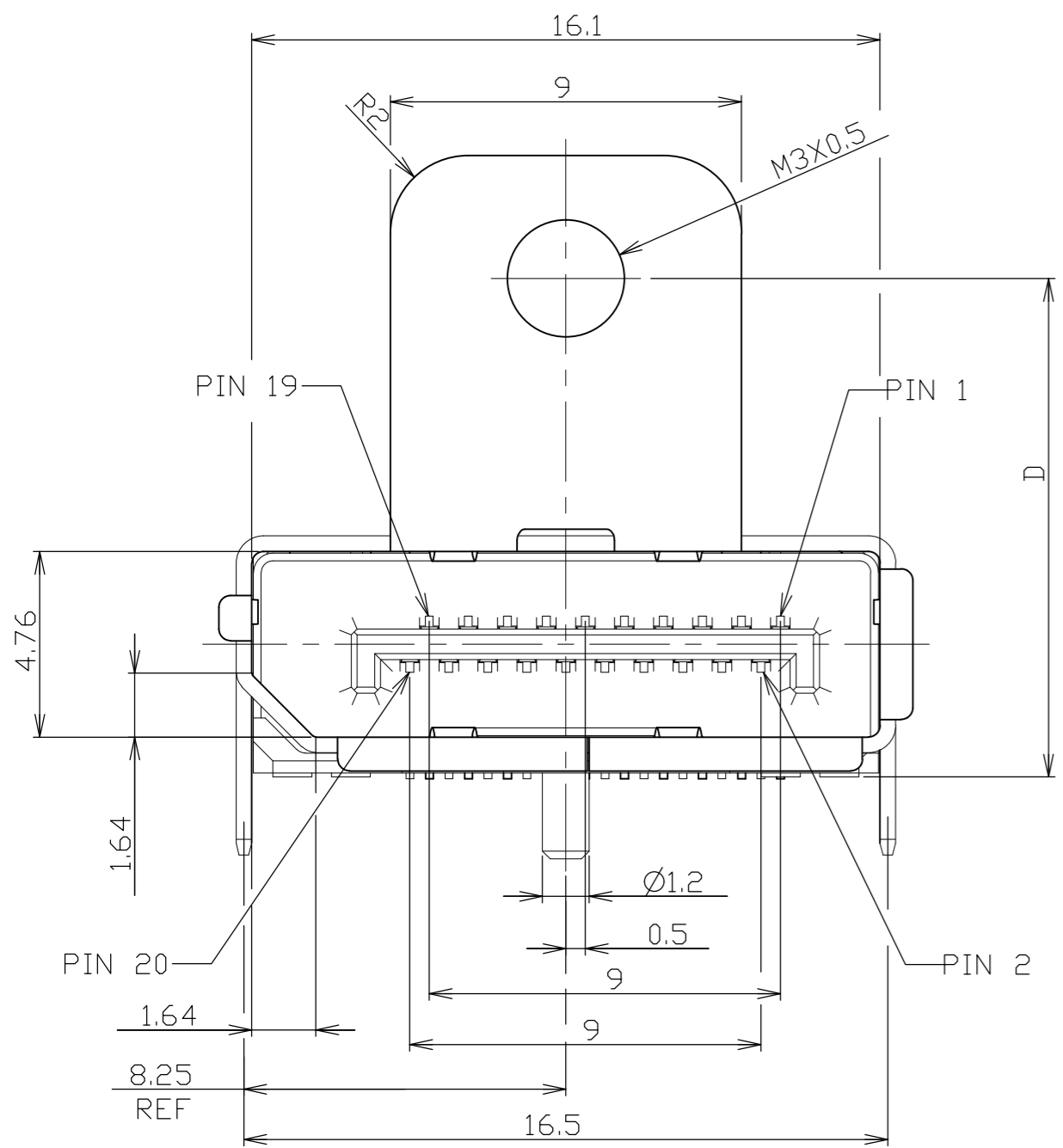
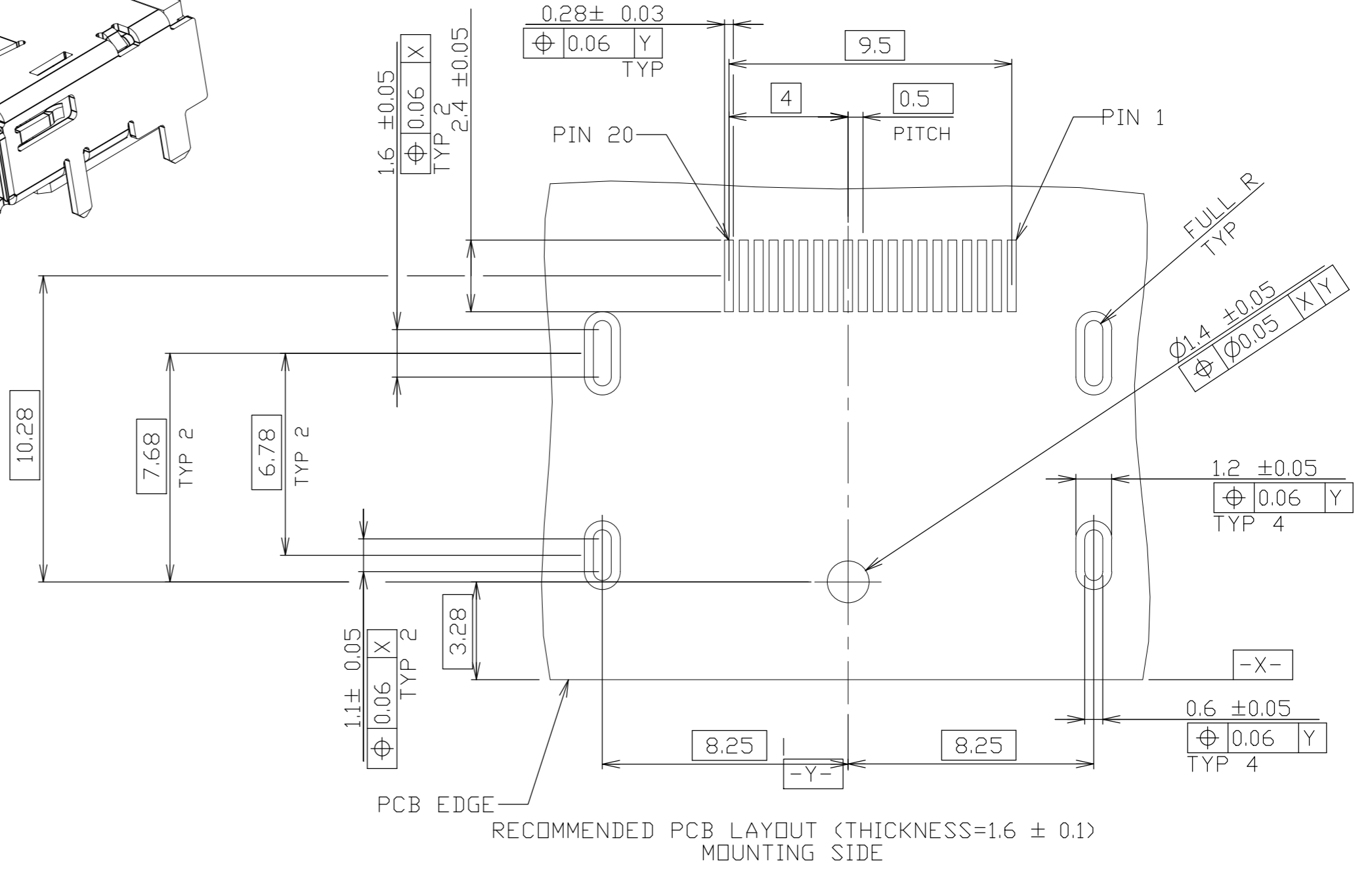
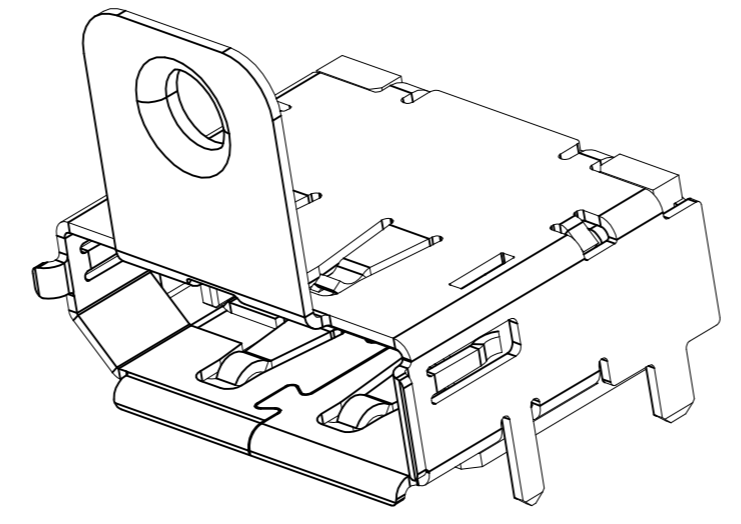
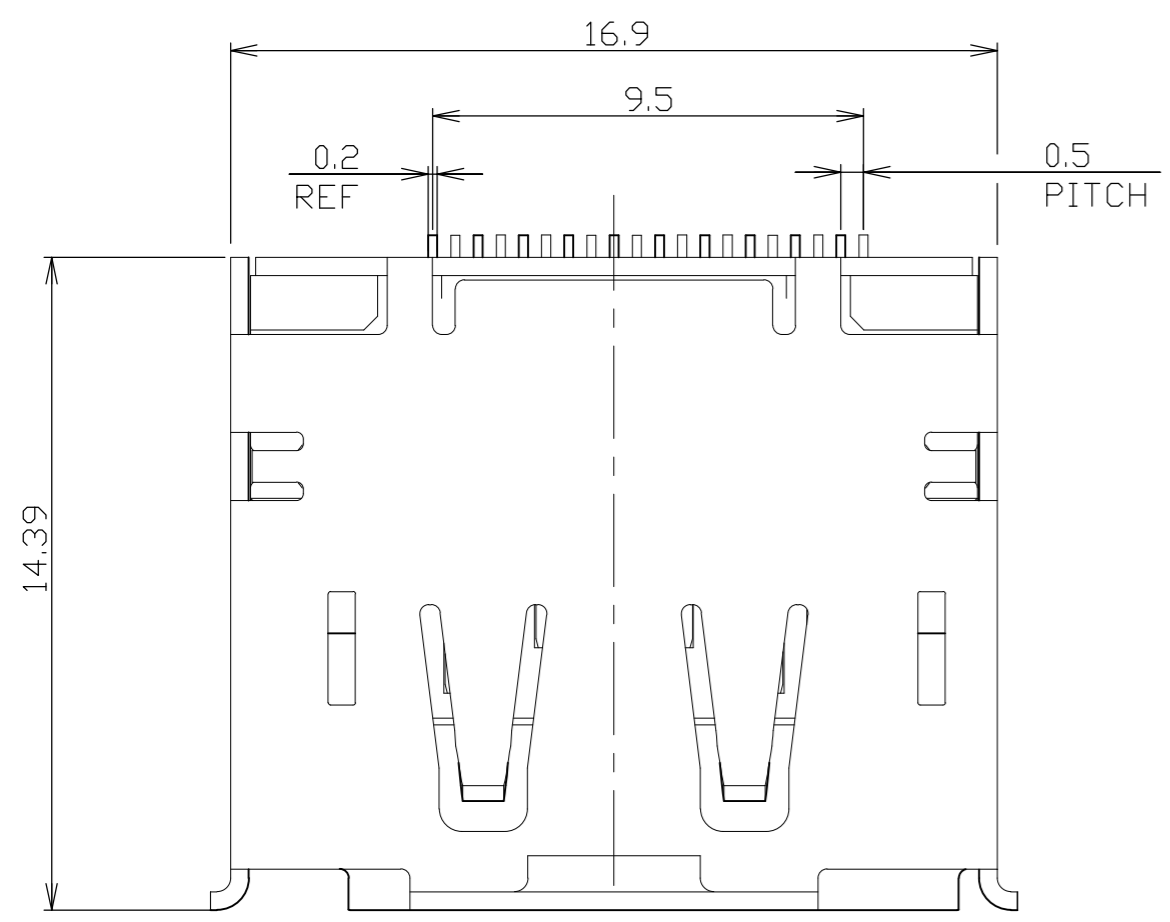


LOC		DIST		REVISIONS		
P	LTR	DESCRIPTION	DATE	DWN	APVD	
J						
E		REVISED (ECR-15-017380)	02DEC2015	T.Z	H.W	



1. MATERIAL:
 HOUSING: HIGH TEMPERATURE THERMAL PLASTIC, BLACK, UL94V-0.
 CONTACT: COPPER ALLOY.
 SHELL: COPPER ALLOY.
 MYLAR: POLYIMIDE FILM.

2. FINISH:
 CONTACT: CONTACT AREA: GOLD PLATING (SEE TABLE) OVER 1.27
 MINIMUM MICRON NICKEL PLATING ALL
 SOLDER TAIL AREA: 2.54 MINIMUM MICRON TIN PLATING.
 SHELL: NICKEL PLATING SOLDERABILITY IS WORSE THAN MATTE TIN PLATING
 IN SOME CONDITION, IN SUCH CASE, PLEASE SELECT MATTE TIN

3. THIS PRODUCT IS PACKED IN TRAY.

PLATING	CONTACT FINISH	SHELL PLATING	DIM D	DIM C	DIM B	DIM A	PART NUMBER
YES	0.38 MICRON	NICKEL	9.5	12.5	2.1	2	9-2040204-2
YES	0.76 MICRON	NICKEL	9.5	12.5	2.1	2	9-2040204-1
YES	0.76 MICRON	NICKEL	12.78	15.78	2.1	2	5-2040204-1
NO	0.76 MICRON	MATTE TIN	12.78	15.78	1.9	1.8	1-2040204-5
NO	0.76 MICRON	NICKEL	12.78	15.78	1.9	1.8	1-2040204-1
NO	0.76 MICRON	MATTE TIN	12.78	15.78	2.1	2	2040204-5
NO	0.76 MICRON	NICKEL	12.78	15.78	2.1	2	2040204-1

THIS DRAWING IS A CONTROLLED DOCUMENT FOR TYCO ELECTRONICS CORPORATION
 IT IS SUBJECT TO CHANGE AND THE CONTROLLING ENGINEERING ORGANIZATION
 SHOULD BE CONTACTED FOR THE LATEST REVISION.

DWN: Y. HIRATA 15FEB2008
 CHK: T. KUSUHARA 15FEB2008
 APVD: T. KUSUHARA 15FEB2008

PRODUCT SPEC: 108-78515
 APPLICATION SPEC

TOLERANCES UNLESS OTHERWISE SPECIFIED:
 0 PLC ±0.3
 1 PLC ±0.3
 2 PLC ±0.3
 3 PLC ±0.3
 4 PLC ±0.3
 ANGLES ±2°
 FINISH

TYCO ELECTRONICS Corporation
 Kawasaki, Japan

NAME: RECEPTACLE ASSEMBLY
 DISPLAYPORT RA SMT STD TH-LEG
 WITH FLANGE

SIZE: A2
 CAGE CODE: 0779
 DRAWING NO: 2040204
 RESTRICTED TO: -

SCALE: 4:1
 SHEET: 1 OF 2
 REV: E

4

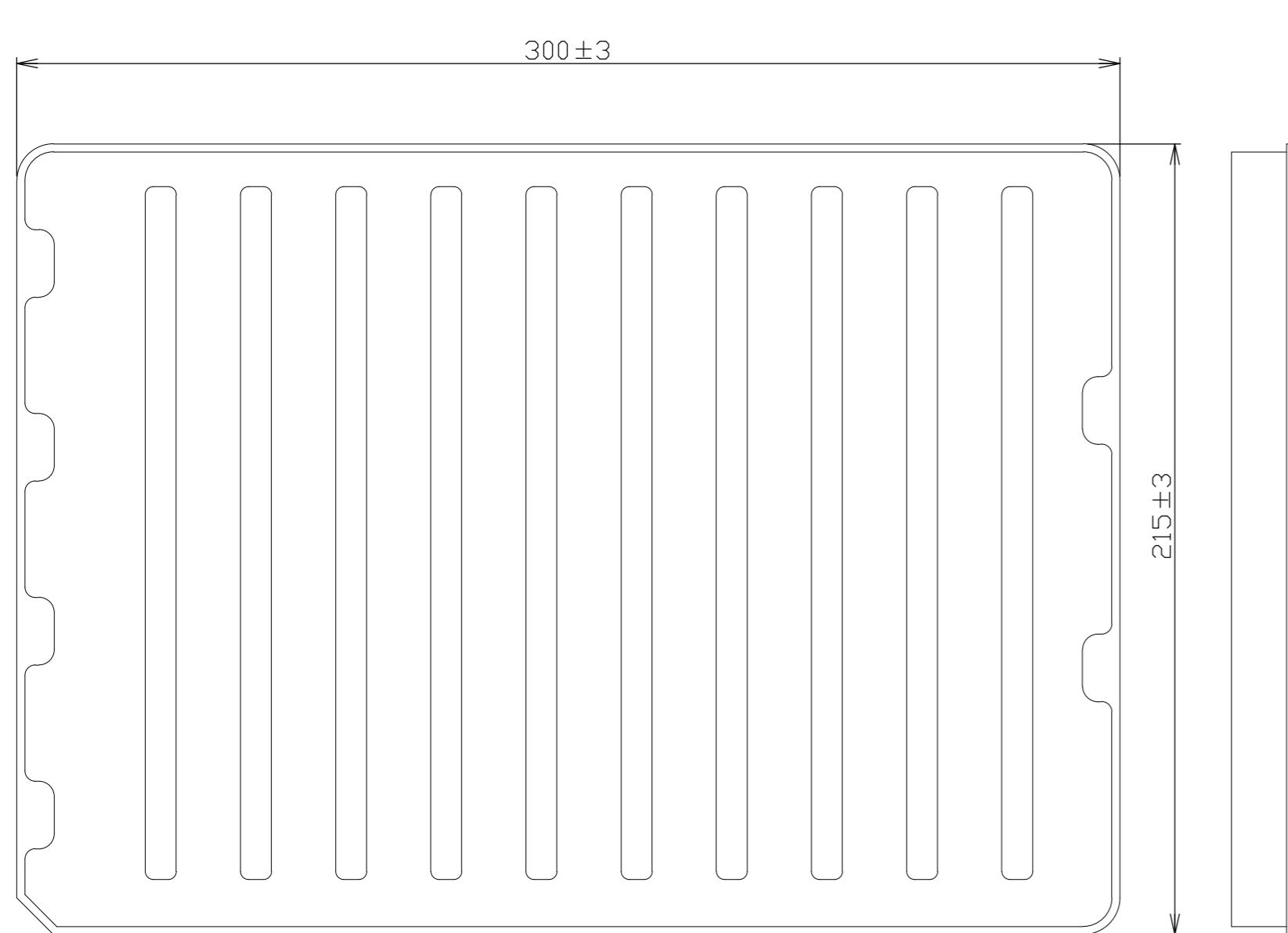
3

2

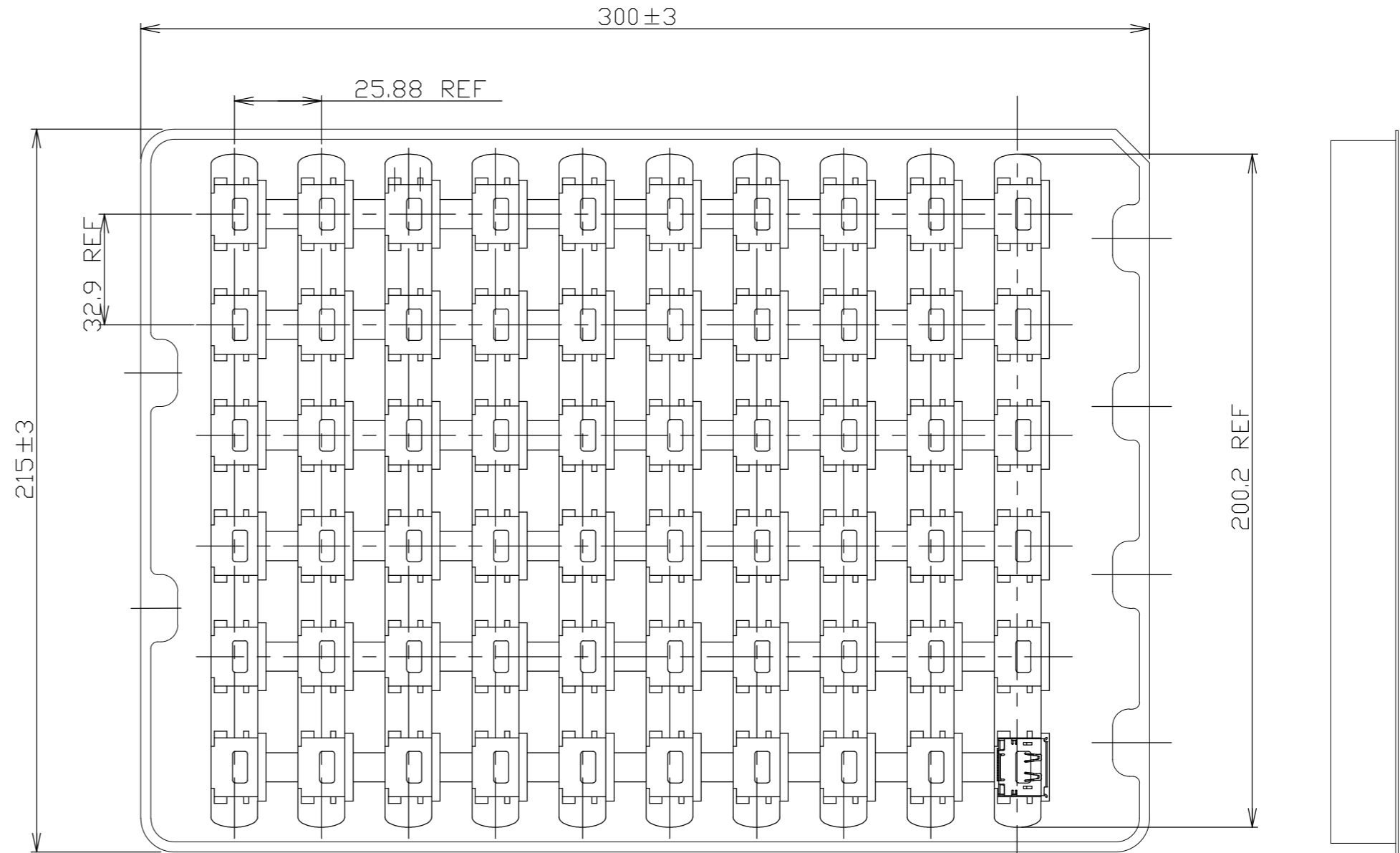
1

THIS DRAWING IS UNPUBLISHED. RELEASED FOR PUBLICATION 2008
 © COPYRIGHT 2008 BY TYCO ELECTRONICS CORPORATION. ALL RIGHTS RESERVED.

LOC	DIST	REVISIONS			
P	LTR	DESCRIPTION	DATE	DWN	APVD
-	-	SEE SHEET 1	-	-	-



UPPER TARY



LOWER TARY

PACKAGE TARY

THIS DRAWING IS A CONTROLLED DOCUMENT FOR TYCO ELECTRONICS CORPORATION. IT IS SUBJECT TO CHANGE AND THE CONTROLLING ENGINEERING ORGANIZATION SHOULD BE CONTACTED FOR THE LATEST REVISION.		DWN	Tyco Electronics Corporation Kawasaki, Japan	
DIMENSIONS: mm		CHK	NAME RECEPTACLE ASSEMBLY DISPLAYPORT RA SMT STD TH-LEG WITH FLANGE	
TOLERANCES UNLESS OTHERWISE SPECIFIED: 0 PLC ± 1 PLC ± 2 PLC ± 3 PLC ± 4 PLC ± ANGLES ± FINISH ±		APVD	SIZE	RESTRICTED TO
MATERIAL		PRODUCT SPEC	A2	-
		APPLICATION SPEC	CAGE CODE	DRAWING NO
		WEIGHT	00779	2040204
		CUSTOMER DRAWING	SCALE	SHEET
			NTS	2 OF 2
			REV	E

Mouser Electronics

Authorized Distributor

Click to View Pricing, Inventory, Delivery & Lifecycle Information:

[TE Connectivity:](#)

[2040204-1](#)