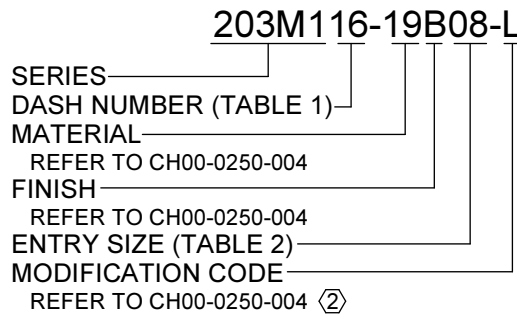


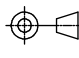


## CODE 54 - BRAID TAIL BACKSHELL



### NOTES:

1. THIS PRODUCT IS DESIGNED TO TERMINATE A HEAT SHRINKABLE LIPPED BOOT TO A CONNECTOR.
- ② FOR ADDITIONAL DIMENSIONS, ORDERING INFORMATION AND MODIFICATIONS, SEE CH00-0250-004
3. BACKSHELL TO BE PERMANENTLY MARKED/BAGGED AND LABELLED WITH CODE IDENTIFICATION NUMBER AND PART NUMBER. (e.g. 06090-203M116-19B08).
- ④ WHEN ENTRY SIZE EXCEEDS "MAX ENTRY", A 2 PIECE BACKSHELL (TYPE 2) IS SUPPLIED.
5. BRAID TERMINATION RING MAY BE SUPPLIED AS TINEL-LOCK SHAPE MEMORY RING AT MANUFACTURERS OPTION.
- ⑥ BACKSHELL MATES TO MIL-C-81703, SERIES III, MS3424, MS3446, MS3464, MS3467, MS3468, CLASS E & L
- ⑦ BACKSHELL MATES TO MIL-C-5015G, MS3400 SERIES, CLASS D, E, K, L, U & W, MS3400, MS3401, MS3404, MS3406, MS3450, MS3451, MS3454, MS3456, MS3470, MS3471, MS3472, MS3474, MS3475, MS3476. MIL-C-83723, SERIES II, CLASS A & L. MIL-C-83723, SERIES I & III, CLASS A, G, K, R & S: M83723/1, /2, /3, /4, /5, /6, /7, /8, /13, /14, /36, /37, /38, /40, /41, /42, /43, /48, /49, /65, /66, /67, /68, /69, /70, /71, /72, /73, /74, /75, /76, /77, /78, /82, /83, /84, /85, /86, /87, /91, /92, /95, /97, /98, (MS3155 CONTROLLED INTERFACE).
8. WHEN "L" MODIFICATION IS SPECIFIED, COUPLING NUT SHALL HAVE 3 WIRE HOLES, 120° APART.

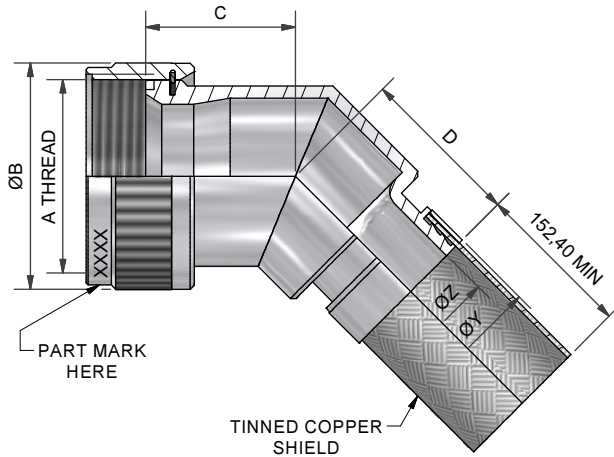
If this document is printed it becomes uncontrolled. Check for the latest revision

DRAWN	K.WINCZURA	DATE 20/04/2015	 3RD ANGLE PROJECTION NOT TO SCALE	TITLE:  <b>BRAID TAIL BACKSHELL</b>	 <b>Polamco</b>  TE connectivity
CHECKED		20/04/2015	UNLESS OTHERWISE SPECIFIED ALL DIMENSIONS IN MILLIMETRES GENERAL TOL LINEAR +/-0.25MM ANGULAR +/- 1°	ASSY USED ON:  <b>MIL-DTL-26482 SERIES II / MIL-DTL-83723 SERIES I &amp; III</b>	
APPROVED	K.SHEPPARD	27/04/2015			
APPROVED	H.SMITH	02/09/2015			
REVISIONS					
LTR	DESCRIPTION	DATE	APPROVED		
N1	REVISED PER ECO-12-011624	21/06/2012	K.YEE		
P	REVISED PER ECO-15-012672	02/09/2015	H.SMITH		
TE CAGE CODE: 06090 POLAMCO/TE CAGE CODE: U5792				TE CONNECTIVITY - POLAMCO LTD RESERVES THE RIGHT TO AMEND THIS DRAWING AND THE INFORMATION SET FORTH HEREON AT ANY TIME. USERS SHOULD INDEPENDENTLY EVALUATE THE SUITABILITY OF THE PRODUCT FOR THEIR APPLICATION.	DRAWING NO: <b>203M1XX</b>
				DRAWING REV: <b>P</b>	SHT <b>1</b>

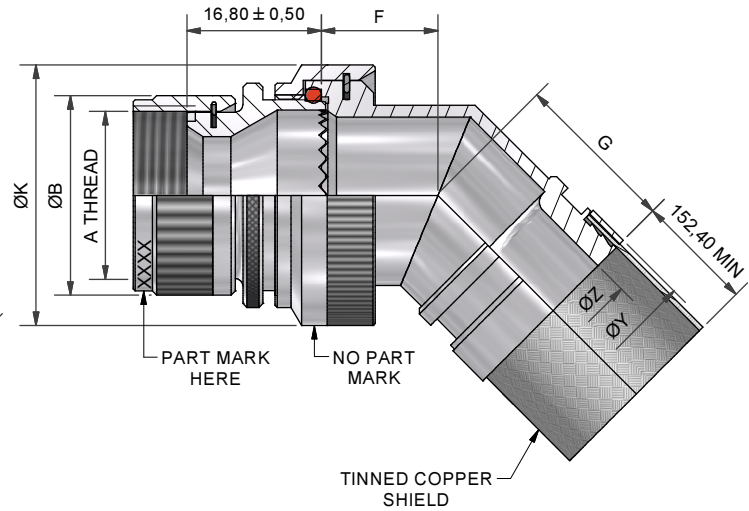
IF MAX ENTRY IS EXCEEDED ADAPTER  
WILL BE SUPPLIED AS TYPE 2



STAINLESS  
STEEL  
TEETH VIEW



45° - TYPE 1



45° - TYPE 2

TABLE 1

ORDER NUMBER	SHELL SIZE		A THREAD	ØB MAX	MAX ENTRY	C ±0,5	D ±0,5
	(6)	(7)					
03	3		9/16-24 UNEF	17,0	04	16,8	16,6
08		8 & 8S	1/2-20 UNF	15,6	04	16,6	16,4
10	10	10, 10S, 10SL	5/8-24 UNEF	18,6	06	16,8	16,7
12	7	12 & 12S	3/4-20 UNEF	21,7	08	17,3	17,1
14	12	14 & 14S	7/8-20 UNEF	24,9	09	18,1	17,9
16	19	16 & 16S	1-20 UNEF	28,2	11	19,0	18,7
18	27	18	1 1/16-18 UNEF	30,9	12	19,2	19,0
20	37	20	1 3/16-18 UNEF	34,1	14	20,1	19,8
22		22	1 5/16-18 UNEF	37,3	16	20,3	20,1
24		24	1 7/16-18 UNEF	40,4	18	21,8	21,5
28		28	1 3/4-18UNS	50,0	22	23,3	22,0
32		32	2-18 UNS	56,3	24	25,0	23,7
36		36	2 1/4-16 UN	62,7	28	26,2	24,9
40		40	2 1/2-16 UN	69,0	28	28,6	26,1
44		44	2 3/4-16 UN	75,4	28	30,1	27,8
48		48	3-16UN	81,7	28	31,3	29,0
61	61		1 1/2-18 UNEF	42,0	18	22,1	21,4

TABLE 2

ENTRY SIZE	ØK MAX	ØZ REF	ØY REF	F ±0,5	G ±0,5
03	NA	4,77	13,1	NA	NA
04	NA	6,35	13,1	NA	NA
05	21,0	7,92	13,1	12,5	14,5
06	21,0	9,52	17,9	12,5	14,5
07	21,0	11,12	17,9	12,5	14,5
08	24,5	12,70	17,9	13,1	15,1
09	24,5	14,27	17,9	13,1	15,1
10	29,0	15,87	24,2	13,5	16,6
11	29,0	17,47	24,2	13,5	16,6
12	32,5	19,05	24,2	14,5	18,3
13	35,5	20,62	24,2	15,5	18,8
14	35,5	22,23	30,6	15,5	18,8
15	37,0	23,82	30,6	16,1	19,7
16	37,0	25,40	30,6	16,1	19,7
17	40,0	26,98	33,2	16,5	20,0
18	40,0	28,60	33,2	16,5	20,0
20	43,5	31,80	42,0	17,0	22,9
21	48,5	33,34	42,0	18,5	24,8
22	48,5	35,00	42,0	18,5	24,8
24	52,1	38,10	42,0	21,9	25,8
28	58,5	44,45	49,0	25,7	26,4

If this document is printed it becomes uncontrolled. Check for the latest revision

DRAWN	K.WINCZURA	DATE	20/04/2015	<p>3RD ANGLE PROJECTION NOT TO SCALE</p>	<p>TITLE:</p> <p><b>BRAID TAIL BACKSHELL (CODE 54)</b></p>	<p>Polamco</p>												
CHECKED		20/04/2015																
APPROVED	K.SHEPPARD	27/04/2015	<p>UNLESS OTHERWISE SPECIFIED ALL DIMENSIONS IN MILLIMETRES GENERAL TOL LINEAR +/-0,25MM ANGULAR +/- 1°</p>															
APPROVED	H.SMITH	02/09/2015																
<p>REVISIONS</p> <table border="1"> <thead> <tr> <th>LTR</th> <th>DESCRIPTION</th> <th>DATE</th> <th>APPROVED</th> </tr> </thead> <tbody> <tr> <td>N1</td> <td>REVISED PER ECO-12-011624</td> <td>21/06/2012</td> <td>K.YEE</td> </tr> <tr> <td>P</td> <td>REVISED PER ECO-15-012672</td> <td>02/09/2015</td> <td>H.SMITH</td> </tr> </tbody> </table>				LTR	DESCRIPTION	DATE	APPROVED	N1	REVISED PER ECO-12-011624	21/06/2012	K.YEE	P	REVISED PER ECO-15-012672	02/09/2015	H.SMITH	<p>ASSY USED ON:</p> <p><b>MIL-DTL-26482 SERIES II / MIL-DTL-83723 SERIES I &amp; III</b></p>		<p>TE connectivity</p>
LTR	DESCRIPTION	DATE	APPROVED															
N1	REVISED PER ECO-12-011624	21/06/2012	K.YEE															
P	REVISED PER ECO-15-012672	02/09/2015	H.SMITH															
<p>TE CAGE CODE: 06090 POLAMCO/TE CAGE CODE: U5792</p>				<p>TE CONNECTIVITY - POLAMCO LTD RESERVES THE RIGHT TO AMEND THIS DRAWING AND THE INFORMATION SET FORTH HEREON AT ANY TIME. USERS SHOULD INDEPENDENTLY EVALUATE THE SUITABILITY OF THE PRODUCT FOR THEIR APPLICATION.</p>														
DRAWING NO:		DRAWING REV:		SHT														
203M1XX		P		2														

# Mouser Electronics

Authorized Distributor

Click to View Pricing, Inventory, Delivery & Lifecycle Information:

[TE Connectivity:](#)

[203M114-19A08-CS5352](#)