

REVISIONS

P	LTR	DESCRIPTION	DATE	DWN	APVD
	AA	ECO-18-002373	08FEB2018	PV	HS

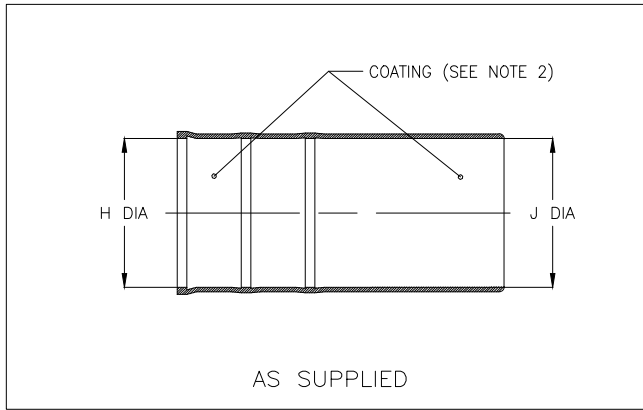


TABLE OF DIMENSIONS

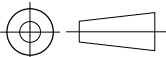
PART NUMBER	H		J			P ±10% b	R Ref b	S Ref b	T Ref b	JO ±10% b	W ±20% b	PP ±10% b	RR ±10% b
	Min a	Max b	Min a	Min a	Max b								
202D121	23.3 [.92]	10.5 [.41]	23.3 [.92]	23.3 [.92]	5.6 [.22]	38.1 [1.50]	21.1 [.83]	3.0 [.12]	1.0 [.04]	10.2 [.40]	1.78 [.07]	15.2 [.60]	N/A
202D132	28.4 [1.12]	14.3 [.56]	28.4 [1.12]	28.4 [1.12]	6.6 [.26]	54.9 [2.16]	27.7 [1.09]	3.0 [.12]	1.0 [.04]	16.5 [.65]	1.78 [.07]	15.2 [.60]	21.6 [.85]
202D142	31.0 [1.22]	17.8 [.70]	31.0 [1.22]	31.0 [1.22]	7.2 [.28]	66.8 [2.63]	35.3 [1.39]	3.0 [.12]	1.0 [.04]	17.8 [.70]	2.03 [.08]	15.2 [.60]	24.5 [.96]
202D153	36.0 [1.42]	22.4 [.88]	36.0 [1.42]	36.0 [1.42]	8.4 [.33]	80.0 [3.15]	41.4 [1.63]	3.0 [.12]	1.0 [.04]	20.8 [.82]	2.03 [.08]	15.2 [.60]	29.7 [1.17]
202D163	42.7 [1.68]	28.2 [1.11]	42.7 [1.68]	42.7 [1.68]	9.9 [.39]	103.6 [4.08]	56.4 [2.22]	3.0 [.12]	1.65 [.065]	24.6 [.97]	2.29 [.09]	15.2 [.60]	36.7 [1.44]
202D174	51.8 [2.04]	35.1 [1.38]	51.8 [2.04]	51.8 [2.04]	15.8 [.62]	130.3 [5.13]	64.5 [2.54]	3.0 [.12]	1.65 [.065]	39.6 [1.56]	3.30 [.13]	15.2 [.60]	53.8 [2.12]
202D185	66.0 [2.60]	44.5 [1.75]	66.0 [2.60]	66.0 [2.60]	20.4 [.80]	165.1 [6.50]	84.1 [3.31]	3.0 [.12]	2.0 [.08]	48.3 [1.90]	4.06 [.16]	15.2 [.60]	65.6 [2.59]
202D196	81.7 [3.22]	57.6 [2.27]	81.7 [3.22]	57.1 [2.25]	25.4 [1.00]	177.8 [7.00]	95.3 [3.75]	3.0 [.12]	2.0 [.08]	47.8 [1.88]	4.06 [.16]	15.2 [.60]	67.1 [2.64]

RELEASED FOR PUBLICATION

ALL RIGHTS RESERVED.

© COPYRIGHT 2018 TE Connectivity Ltd.

THIS DRAWING IS UNPUBLISHED.

DIMENSIONS: mm [INCHES]	DWN P. VU	08FEB2018	MATERIAL	SEE SHEET 2	FINISH	-	
	CHK S. KURUP	08FEB2018	 TE Connectivity Ltd.				
TOLERANCES UNLESS OTHERWISE SPECIFIED:	APVD H. SMITH	08FEB2018					
0 PLC ± -	PRODUCT SPEC	-	NAME				STRAIGHT BOOT, WITH LIPS
1 PLC ± -	-	-	SIZE	CAGE CODE	DRAWING NO	RESTRICTED TO	
2 PLC ± -	APPLICATION SPEC	-	A4	00779	C-202D121THRU196	-	
3 PLC ± -	-	-	CUSTOMER DRAWING				SCALE DNS
4 PLC ± -	WEIGHT	-	SHEET 1 OF 2				REV AA
ANGLES ± -							

REVISIONS					
P	LTR	DESCRIPTION	DATE	DWN	APVD
	-	SEE SHEET 1	-	-	-

COMPATIBILITY CHART				
MATERIAL DASH NO.	MATERIAL DESCRIPTION	SPEC REFERENCE	COATING SLASH NO.	COATING S NO.
-3	Polyolefin, semi-rigid	RT-301	/42;/86;/180	S1017;S1048;S1030
-4	Polyolefin, flexible	RT-1304	/42;/86;/180	S1017;S1048;S1030
-12	Fluoroelastomer, flexible	RT-1312	N/A	N/A
-25	Elastomer, fluid-resistant	RW-2070	/42;/86;/225	S1017;S1048;S1125
-100	Polyolefin, semi-flexible Zerohal	RT-1323 RW-2082	/86;/180	S1048;S1030

ORDERING INFORMATION



NOTES:

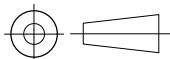
- Dimensions appearing in table are as follows:
a - As supplied
b - After unrestricted recovery
- Coating is optional. As supplied dimensions appearing in table are for uncoated parts. When coating is added, entry diameter will reduce by 1.5mm [.06] Max.
- Injection and vent ports are optional. When -00 modification no. is specified parts shall have injection and vent ports as shown, and shall be supplied with plug 002A011 and riser 204A711. Note that size 202D121 does not have vent port.
- On sizes 202D121 thru 202D153 parts only have 2 lips.
- /225 adhesive coating is not applicable to size 202D196.

RELEASED FOR PUBLICATION

ALL RIGHTS RESERVED.

© COPYRIGHT 2018 TE Connectivity Ltd.

DIMENSIONS: mm [INCHES]	DWN P. VU	08FEB2018	MATERIAL	-	FINISH	-
	CHK S. KURUP	08FEB2018	TE Connectivity Ltd.			
TOLERANCES UNLESS OTHERWISE SPECIFIED:	APVD H. SMITH	08FEB2018				
0 PLC ± -	PRODUCT SPEC	-	NAME			STRAIGHT BOOT, WITH LIPS
1 PLC ± -	APPLICATION SPEC	-	SIZE	CAGE CODE	DRAWING NO	RESTRICTED TO
2 PLC ± -	WEIGHT	-	A4	00779	☺-202D121THRU196	-
3 PLC ± -			CUSTOMER DRAWING			SCALE
4 PLC ± -						DNS
ANGLES ± -						SHEET
						2 OF 2
						REV
						AA



Mouser Electronics

Authorized Distributor

Click to View Pricing, Inventory, Delivery & Lifecycle Information:

[TE Connectivity:](#)

[202D121-12-0](#)