

# INTERCHANGEABLE WALL PLUG POWER SUPPLY 12VDC 18WATT



## T5880ST

### Features:

- Interchangeable AC Heads
- 1 Year Warranty
- Level VI Efficiency
- Worldwide Approvals



### Description:

The Stontronics range of 18 Watt Interchangeable wall plug power supplies provide 18 watts of continuous power with the flexibility of worldwide usage as they are supplied with UK, Euro, USA AC Heads , all Efficiency Level VI and carry worldwide safety approvals.

Specification	
Part Code	T5880ST
Input Voltage Range	90-264 Vac
Input Frequency Range	47-63Hz
Input Current Rated	600A Max
Input AC Heads	UK, Euro, USA
Output Voltage Rating	+12V
Output Current Range	1.5A
Output Min Current	0.0A
Output Connection Type	2.1x5.5x12mm centre positive – Straight
Total Output Regulation	+/-5%
Line and Load Regulation	+/-2%
Ripple & Noise	200mVp-p
Efficiency	85.45%Min
Over Voltage Protection	Output shut down and auto restart
Over Load Protection	Output shut down and auto restart
Operating Temperature	0 to 40°C
Storage Temperature	-10 to 70%
Operating Humidity	20 to 80%
Storage Humidity	10 to 90%
Hi-Pot	3000VAC 10mA 1min
Leakage Current	<0.25mA max
Safety Standard	UL/CUL,GS,CE,RCM
EMI Standard	FCC class B , CE ,VCCI – II
MTBF	50K Hours
Size mm max.	74 (L) 43.5(W) 35.3(H)
Weight	95g

### General Note

TT Electronics reserves the right to make changes in product specification without notice or liability. All information is subject to TT Electronics' own data and is considered accurate at time of going to print.

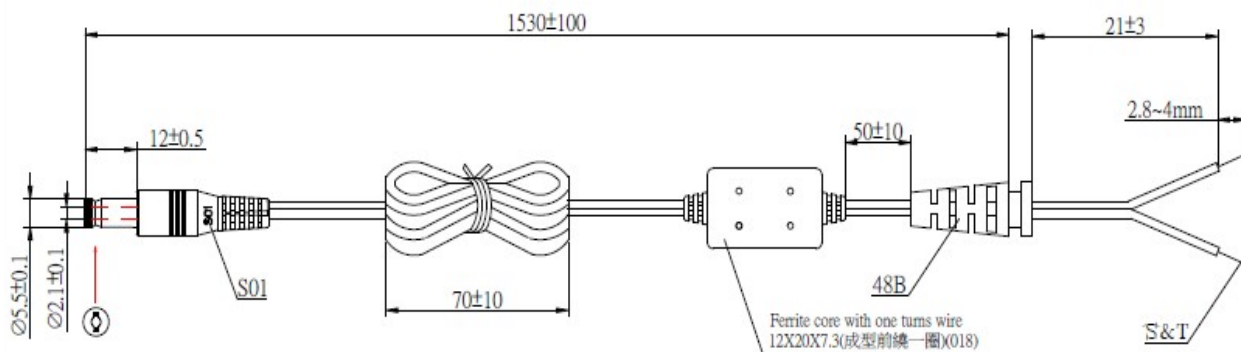
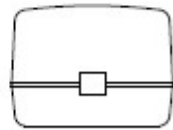
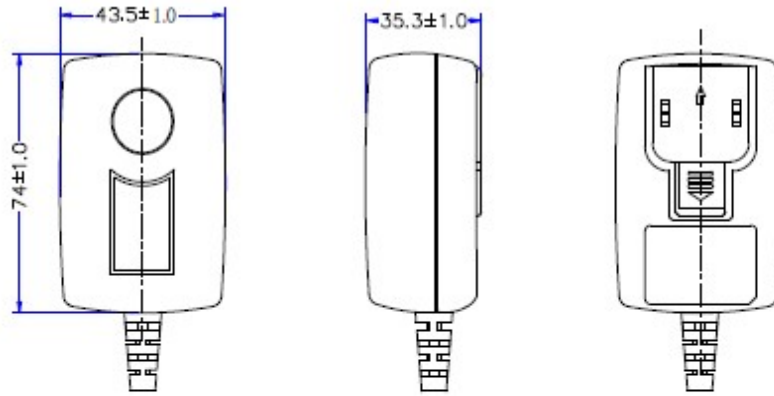
TT Electronics | Stontronics Ltd  
Chancerygate Business Centre, Cradock Road, Reading RG2 0AH, UK  
t: +44 (0) 118 931 1199

# INTERCHANGEABLE WALL PLUG POWER SUPPLY 12VDC 18WATT



T5880ST

## Diagrams



tuning fork cannellure entire insulation type  
(音叉彈簧/斜角凹槽)

# Mouser Electronics

Authorized Distributor

Click to View Pricing, Inventory, Delivery & Lifecycle Information:

[TT Electronics:](#)

[T5880ST](#)