

# EXTERNAL DESKTOP POWER SUPPLY 12VDC 288WATT



## SW4604B

### Features:

- Universal Input
- IEC-320-C14 Input Connector
- 3 Year Warranty
- Efficiency Level VI
- Safety approved to: UL,CUL,FCC,GS,CE,RCM



### Description:

The Stontronics Range of 288 watt AC/DC switch mode power supplies provide 288 watts of continuous output power in a high quality compact enclosure suitable for many general power applications.

| Specification                |   |
|------------------------------|---|
| Part Number                  | SW4604B   |
| Input Voltage Range          | 100 → 240 V ac  |
| Input Frequency Range        | 50 → 60Hz   |
| Input Connector              | Standard 3 pin IEC C14 input connector                |
| Input Current Rated          | 3.9A Max.   |
| Inrush Current               | 150 A Max. / 230 Vac (Cold start at 25 °C, full load) |
| Efficiency                   | 87% Min   |
| Input Power(Output: No Load) | <0.5 W ( At 230Vac & No load)                         |
| Output Voltage Rating        | 12vdc   |
| Output Current Range         | 0-24A Max.  |
| Output Min Current           | 0.05A   |
| Output Connection Type       | Terminal block  |
| Line and Load Regulation     | +/-5%   |
| Over Voltage Protection      | V out * 150% Max.                                     |
| Over Load Protection         | I out * 150% Max.                                     |
| Short Circuit Protection     | Latch protection                                      |
| Ripple Voltage               | 240mV   |
| Hi-Pot                       | 3000Vac 10mA  |
| Safety Approved              | UL,CUL,GS,PSE,BSMI                                    |
| EMI Standard                 | FCC Class B, CE                                       |
| Operating Temperature Range  | 0 → +40 °C  |
| Storage Temperature          | -20 to 80°C   |
| Operating Humidity           | 20% to 80%  |
| Storage Humidity             | 10% to 90%  |
| Dimensions                   | (L) 254mm x (W) 116mm x (H) 47mm                      |
| Product Weight               | 1600 gm   |
| Regulator Type               | Switched Mode Power Supply                            |

#### General Note

TT Electronics reserves the right to make changes in product specification without notice or liability. All information is subject to TT Electronics' own data and is considered accurate at time of going to print.

TT Electronics | Stontronics Ltd  
Chancerygate Business Centre, Cradock Road, Reading RG2 0AH, UK  
t: +44 (0) 118 931 1199

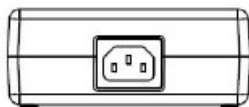
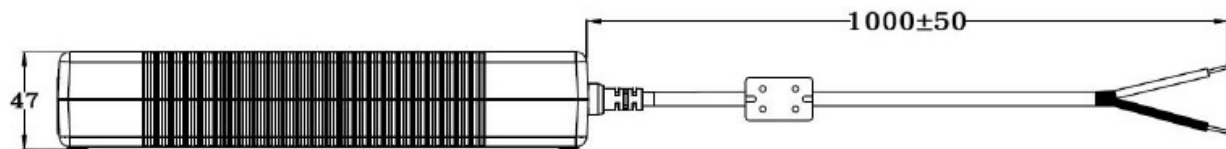
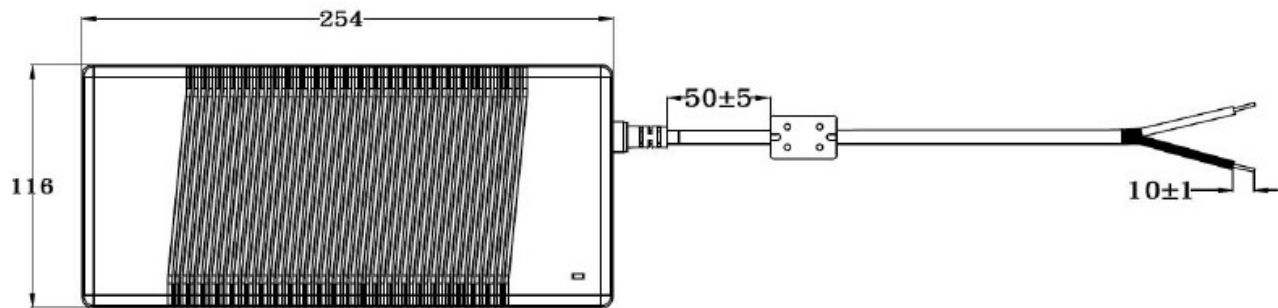
# EXTERNAL DESKTOP POWER SUPPLY

## 12VDC 288WATT

### SW4604B



### Diagrams



FRONT-VIEW

# Mouser Electronics

Authorized Distributor

Click to View Pricing, Inventory, Delivery & Lifecycle Information:

[TT Electronics:](#)

[SW4604B](#)