

EXTERNAL DESKTOP POWER SUPPLY 20VDC 65WATT



SW4325C

Features:

- Universal Input
- IEC-320-C14 Input Connector
- 3 Year Warranty
- Efficiency Level VI
- Safety approved to: UL,CUL,FCC,GS,CE,RCM



Description:

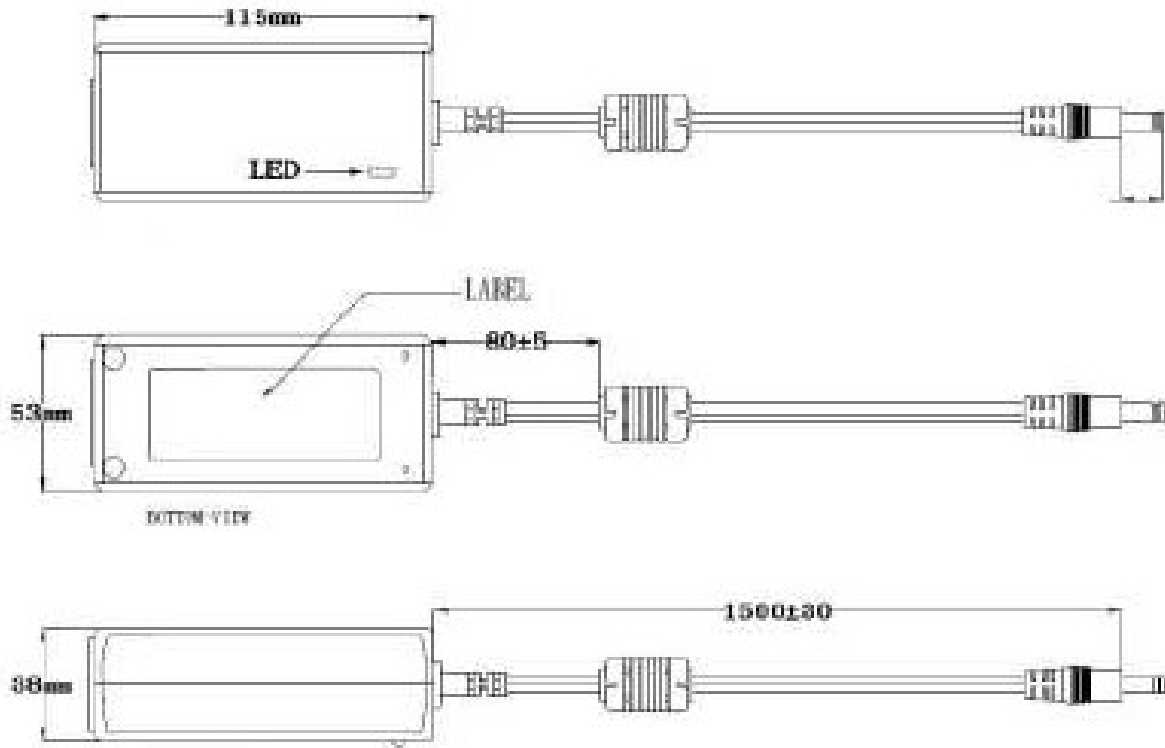
The Stontronics Range of 65watt AC/DC switch mode power supplies provide 65 watts of continuous output power in a high quality compact enclosure suitable for many general power applications.

Specification	
Part Code	SW4325C
Input Voltage Range	100 → 240 Vac
Input Frequency Range	50 → 60Hz
Input Connector	IEC 320-C14
Input Current Rated	1.4A Max
Inrush Current	80A Max
Leakage Current	<3.5mA
Efficiency	DOE CEC VI /rP Stage2
Input Power(Output: No Load)	0.21W max
Output Voltage Rating	20VDC
Output Current Range	3A Max
Output Min Current	0A
Output Connection Type	2.1 x 5.5 x 12 mm centre positive – Straight
Line and Load Regulation	+/-5%
Over Voltage Protection	Vout * 150% Max. (Latch)
Over Load Protection	Iout * 150% Max. (Auto recovery)
Short Circuit Protection	Shut down
Ripple Voltage	1-2% Vp-p Max of O/P V At Full Load
Hi-Pot	3000Vac 10mA 1 min.
Safety Approved	CB, UL, Cul, FCC, GS, CE, PSE, BSMI, CCC
EMI Standard	Conduction & Radiation: Compliance to EN55022
Operating Temperature Range	0 → +40 °C
Storage Temperature	-20 to 80°C
Operating Humidity	20% to 80%
Storage Humidity	10% to 90%
Dimensions	(L) 115 x (W) 53 x (H) 38 mm
Product Weight	310g
Regulator Type	Switched Mode Power Supply

EXTERNAL DESKTOP POWER SUPPLY 20VDC 65WATT SW4325C



Diagrams



Mouser Electronics

Authorized Distributor

Click to View Pricing, Inventory, Delivery & Lifecycle Information:

[TT Electronics:](#)

[SW4325C](#)