

# Linear Motorized Potentiometer

## LM1001



### Features:

- Resistance range 1 k $\Omega$
- Temperature range -10°C to 60°C
- Rotational life of 30,000 minimum
- Option lever height
- Touch sense build in
- RoHS compliant

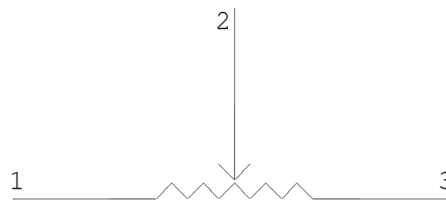


### Description:

Motorized linear potentiometer family, perfect for digital mixing boards and other audio visual equipment.

### Applications:

- Audio mixers
- Video mixers
- Light boards
- Keyboards
- Musical instruments
- Stage equipment



### 3D Model

To view 3D model:  
1) Enable 3D content  
2) Click and drag below



If unable to view 3D content,  
[download and save this PDF](#)  
to your computer and open it  
in Adobe Acrobat Reader.

## Electrical Characteristics

TA=25°C unless otherwise noted

Resistance Range	10 k $\Omega$
Standard Resistance Tolerance	$\pm$ 20%
Residual Resistance	100 M $\Omega$ 1 minimum at 250 Vdc
Resistance Taper	A, B, C
Maximum Operating Voltage	200 Vac
Rated Power	0.5 W
Dielectric Strength	1 minimum at 250 Vac
Slider Noise	68 mV
Insulation Resistance	100 M $\Omega$ 1 minimum at 250 Vdc
Touch Sense Track	Yes
Element Count	Single unit

### General Note

TT Electronics reserves the right to make changes in product specification without notice or liability. All information is subject to TT Electronics' own data and is considered accurate at time of going to print.

© TT electronics plc

TT Electronics | BI Technologies  
Circulo de la Amistad #102 PIMSA IV Mexicali B.C. Mexico C.P 21210  
Ph: + 1 (714) 447-2345  
[www.ttelectronics.com/bi-technologies](http://www.ttelectronics.com/bi-technologies)

Rev - 06/2019 Page 1

Document #: \_\_\_\_\_

### Mechanical Characteristics

T<sub>A</sub> = 25°C unless otherwise noted

Mechanical Travel	60 mm, 100 mm
Operating Force	15—45 gf.cm
Stopper Strength	≥5,000 gf
Lever Wobble	1.6 mm p-p maximum
Lever Deviation	0.5 mm maximum (one side)
Operational Life	30,000 cycles minimum
TR Shift	±15%
Touch Sense Track	Yes

### Motor Characteristics

T<sub>A</sub> = 25°C unless otherwise noted

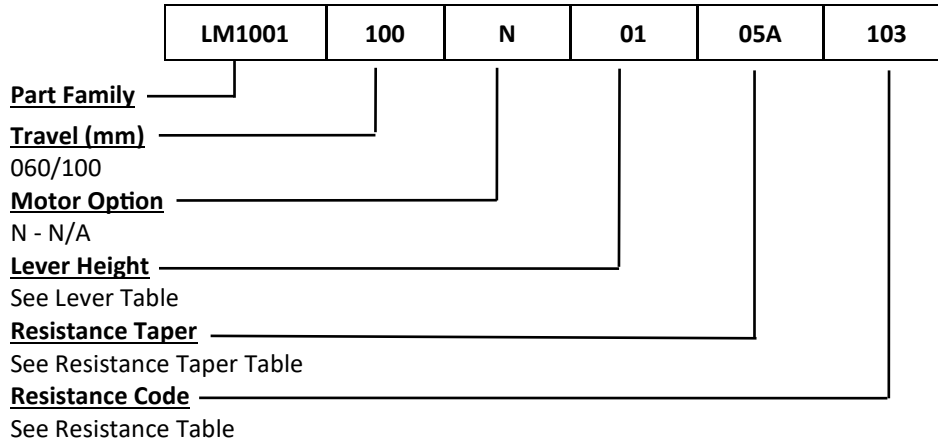
Rated Voltage	10 Vdc
Rated Current	400 mA - 800 mA
Operating Supply Voltage Range	6 V - 10 V
Starting Force	≥0.2 N

### Environmental Characteristics

T<sub>A</sub> = 25°C unless otherwise noted

Operating Temperature Range	-10 °C to 60 °C
IP Rating	N/A
Soldering Condition	260°C maximum for 3 seconds
RoHS	Please refer to TT Electronics website
REACH	Please refer to TT Electronics website

### Ordering Info



Lever Table		
Order Code	L (mm)	Lever Style
01	9.5	A
02	11	
03	14	
04	8.2	B

Resistance Taper Table (Code)		
Taper "A"	Taper "B"	Taper "C"
05A	00B	05C
10A	01B	10C
15A	02B	15C
20A	03B	20C
25A	04B	25C
30A	05B	30C

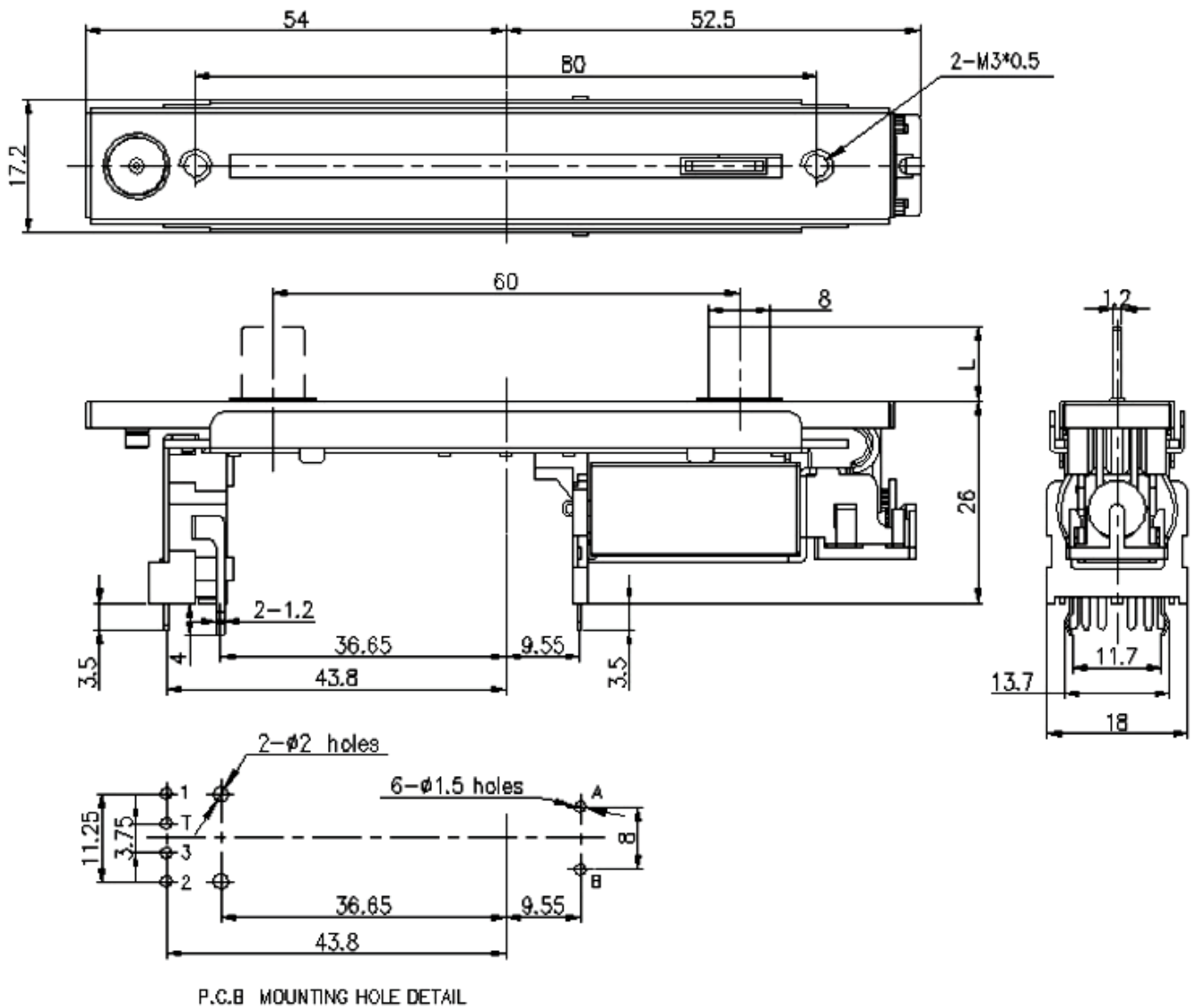
Resistance Table	
Code	Resistance
102	1K
202	2K
502	5K
103	10K
203	20K
503	50K
104	100K
204	200K
504	500K

# Linear Motorized Potentiometer

## LM1001

### Outline Drawings

LM1001—60mm



General Note  
TT Electronics reserves the right to make changes in product specification without notice or liability. All information is subject to TT Electronics' own data and is considered accurate at time of going to print.

© TT electronics plc

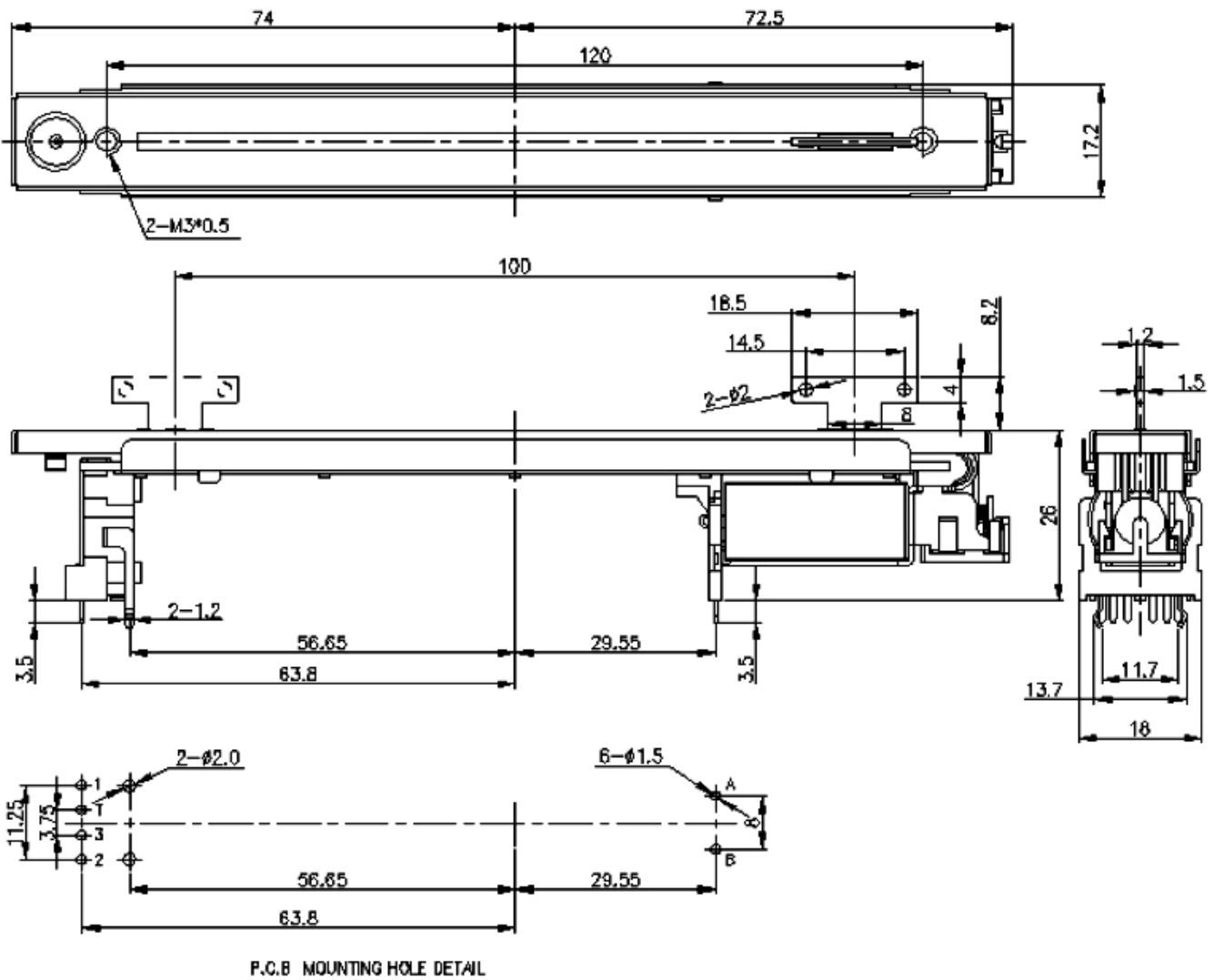
TT Electronics | BI Technologies  
Circulo de la Amistad #102 PIMSA IV Mexicali B.C. Mexico C.P 21210  
Ph: + 1 (714) 447-2345  
www.ttelectronics.com/bi-technologies

Rev - 06/2019 Page 4

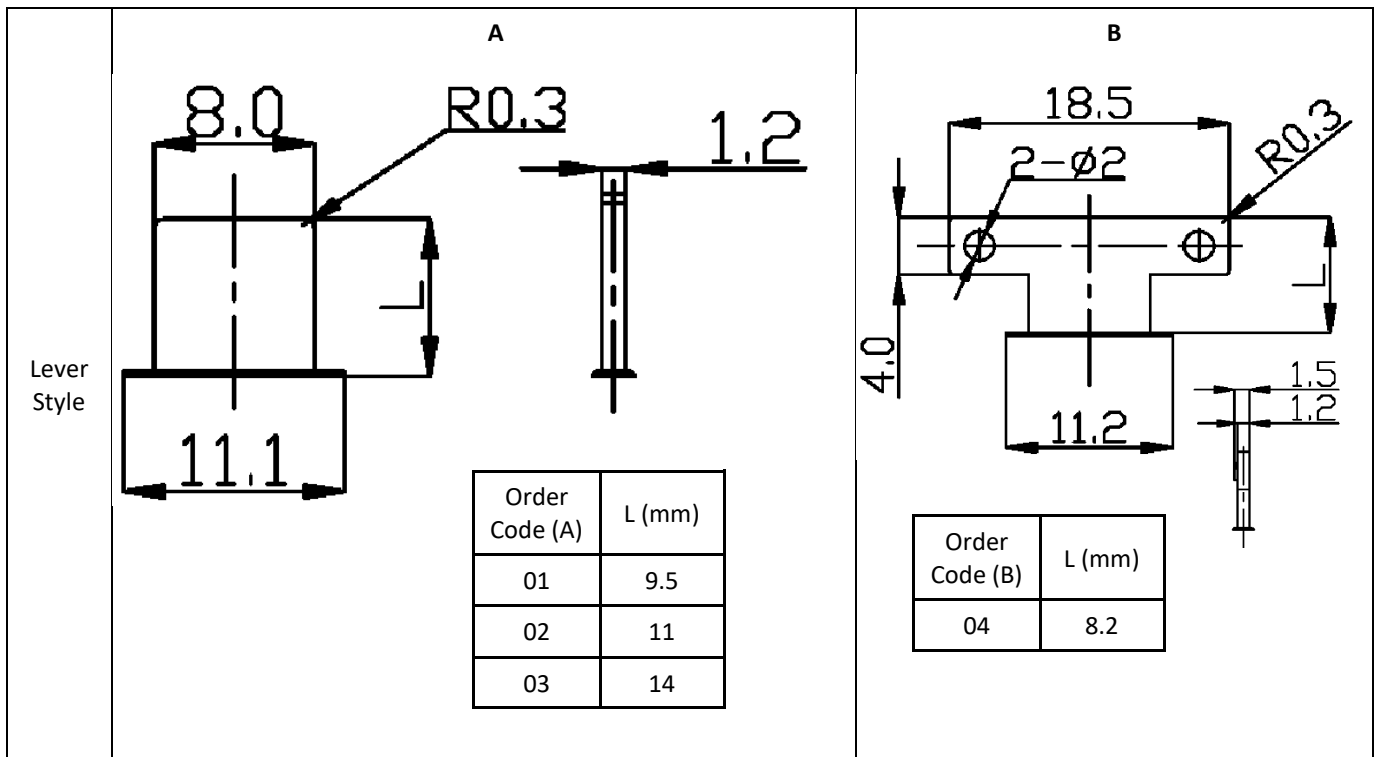
Document #: \_\_\_\_\_

### Outline Drawings

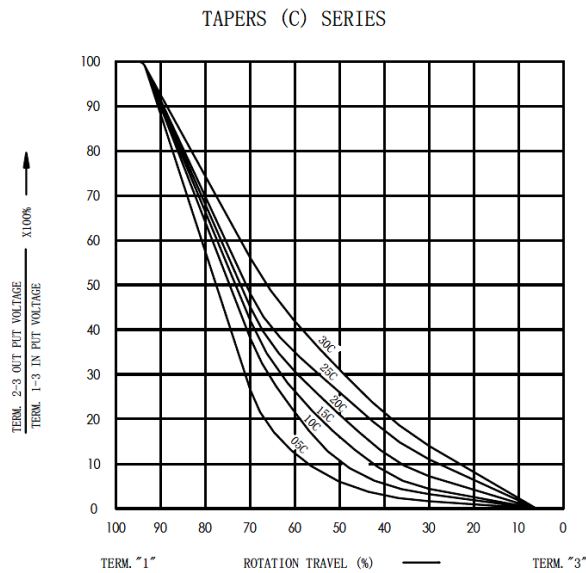
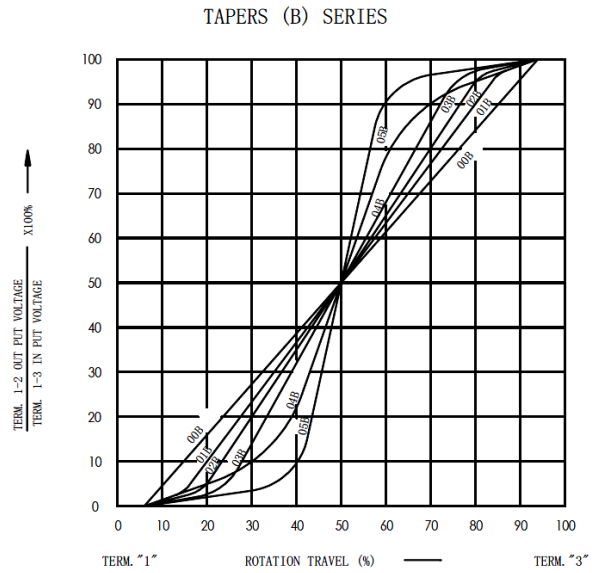
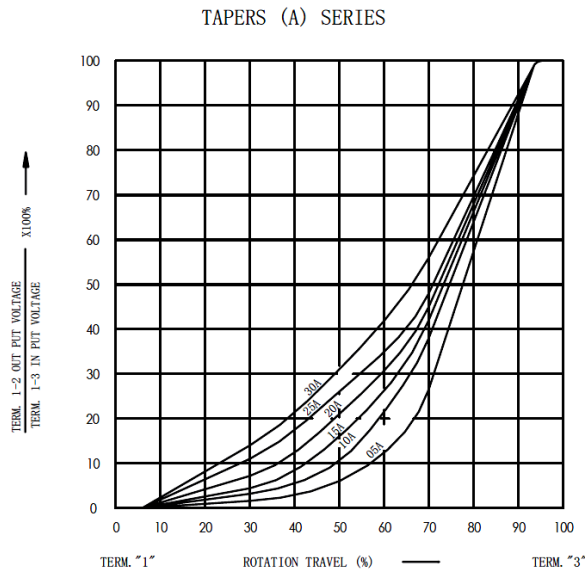
LM1001—100mm



### Lever Table



### Taper Charts



Resistance Taper Table (Code)		
Taper "A"	Taper "B"	Taper "C"
05A	00B	05C
10A	01B	10C
15A	02B	15C
20A	03B	20C
25A	04B	25C
30A	05B	30C

### Packaging

Standard Packaging	N/A
Included Hardware	None

General Note  
 TT Electronics reserves the right to make changes in product specification without notice or liability. All information is subject to TT Electronics' own data and is considered accurate at time of going to print.

TT Electronics | BI Technologies  
 Circulo de la Amistad #102 PIMSA IV Mexicali B.C. Mexico C.P 21210  
 Ph: + 1 (714) 447-2345  
[www.ttelectronics.com/bi-technologies](http://www.ttelectronics.com/bi-technologies)

# Mouser Electronics

Authorized Distributor

Click to View Pricing, Inventory, Delivery & Lifecycle Information:

[TT Electronics:](#)

[LM1001060N0100B103](#) [LM1001100N0400B103](#)