

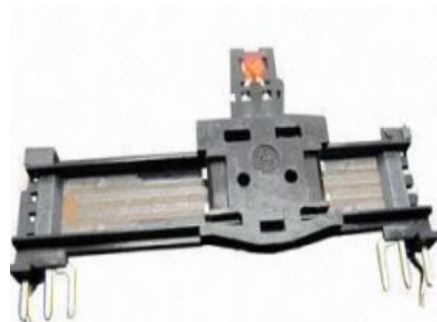
Slim Slide Potentiometer with 20/30 mm Travel, w/LED

PSS2 Series



Features:

- Dual gang
- Resistance range 1 kΩ to 1 MΩ
- Temperature range -10°C to +70°C
- Rotational cycles of 15,000 minimum
- With or without LED
- Vertical and horizontal mount versions
- RoHS compliant

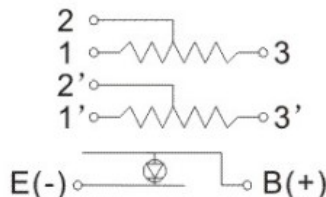


Description:

Slim slide dual gang potentiometer. Options include 20mm or 30 mm slide travel; with or without LED; center tap and center detent.

Applications:

- Electric guitars
- Amplifiers
- Mixers
- Drum machines
- Synthesizers



Schematic

3D Model

To view 3D model:
1) Enable 3D content
2) Click and drag below



If unable to view 3D content, [download and save](#) this PDF to your computer and open it in Adobe Acrobat Reader.

Electrical Characteristics

T_A = 25°C unless otherwise noted

Resistance Range	1 kΩ to 1 MΩ
Standard Resistance Tolerance	500 Ω < R < 1 MΩ: ±2.0% R ≤ 500 Ω or R ≥ 1 MΩ: ±30%
Residual Resistance	Term. 1~2: Less than 30 Ω Term. 2~3: Less than 50 Ω
Resistance Taper	B,W
Maximum Operating Voltage	50 Vac/10 Vdc
Rated Power	0.025 W
Dielectric Strength	1 minute at 250 Vac
Sliding Noise	Less than 100 mV
Insulation Resistance	More than 100 MΩ at 250 Vdc
Gang Error (Dual Unit)	±2 dB at the 50% travel point

General Note

TT Electronics reserves the right to make changes in product specification without notice or liability. All information is subject to TT Electronics' own data and is considered accurate at time of going to print.

© TT electronics plc

TT Electronics | BI Technologies
Circulo de la Amistad #102 PIMSA IV Mexicali B.C. Mexico C.P 21210
Ph: + 1 (714) 447-2345
www.ttelectronics.com/bi-technologies

Rev - 06/2019 Page 1

Document #: _____

Mechanical Characteristics

T_A = 25°C unless otherwise noted

Slide Travel	20 mm, 30 mm
Operating Force	10 gf ~ 100 gf
Stopper Strength	3.0 kgf (from the base level to a point of 2mm)
Lever Deviation	30 ~ 150 gf
Lever Push-Pull Strength	3.0 kgf min. at 10 seconds
Lever Wobble	2 (2XL)/20 mm (maximum) (L: level length both sides)
Operational Life	15,000 cycles minimum

Environmental Characteristics

T_A = 25°C unless otherwise noted

Operating Temperature	-10 °C to +70 °C
Soldering Condition	Wave soldering 260 °C max. for 1-3 seconds Hand soldering 300° C max. for 3 seconds
IP Rating	IP 40
RoHS	Please refer to TT Electronics website
REACH	Please refer to TT Electronics website

Ordering Information

PSS2	20	N	2	00	N	09	B	103
------	----	---	---	----	---	----	---	-----

Part Family

Slide Travel

20 mm

30 mm

Motor Option

N - None

Gang Number

2 - 2 Gangs

Detents

00 - No Position

01 - Center Detent

LED/Indicator Color

(See Note 1 page 6)

N - Cap, with No color indicator

W - Cap, with White Color indicator

R - LED, Red Color

Y - LED, Yellow Color

G - LED, Green Color

Lever Height (mm) - L

09 - 9.5 mm

Resistance Taper

B - Linear (3B)

W - Logarithmic (4B)

Resistance

See Resistance Table

Resistance Table	
Resistance (Ohms)	Code
1,000	102
2,000	202
5,000	502
10,000	103
20,000	203
50,000	503
100,000	104
200,000	204
500,000	504
1,000,000	105

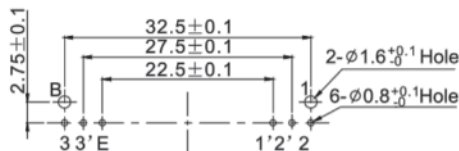
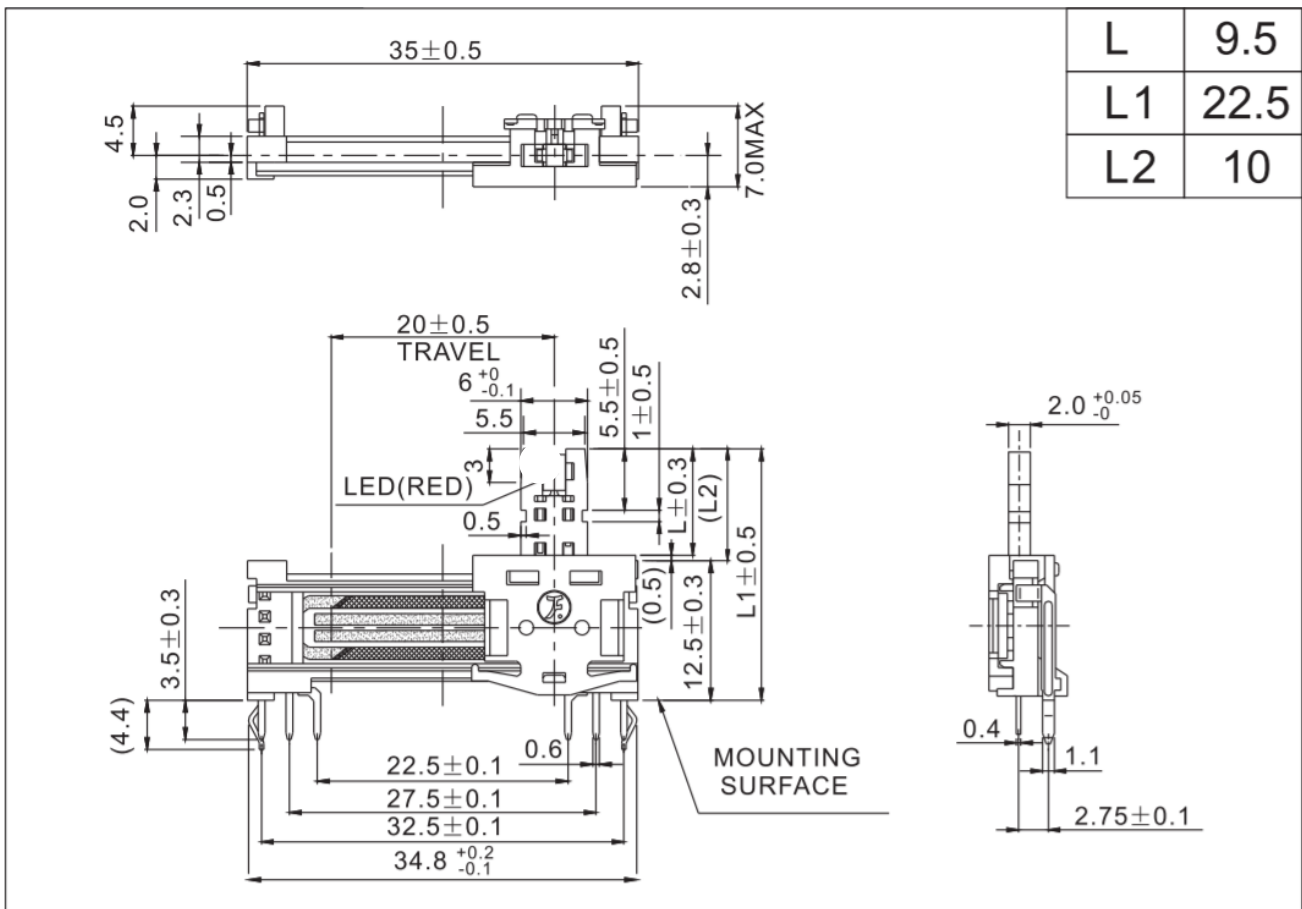
General Note

TT Electronics reserves the right to make changes in product specification without notice or liability. All information is subject to TT Electronics' own data and is considered accurate at time of going to print.

© TT electronics plc

Outline Drawings

20 mm Travel, Standard Type, 2 Gangs, with LED



PCB layout Dimension

General Note
 TT Electronics reserves the right to make changes in product specification without notice or liability. All information is subject to TT Electronics' own data and is considered accurate at time of going to print.

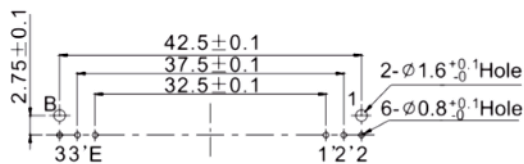
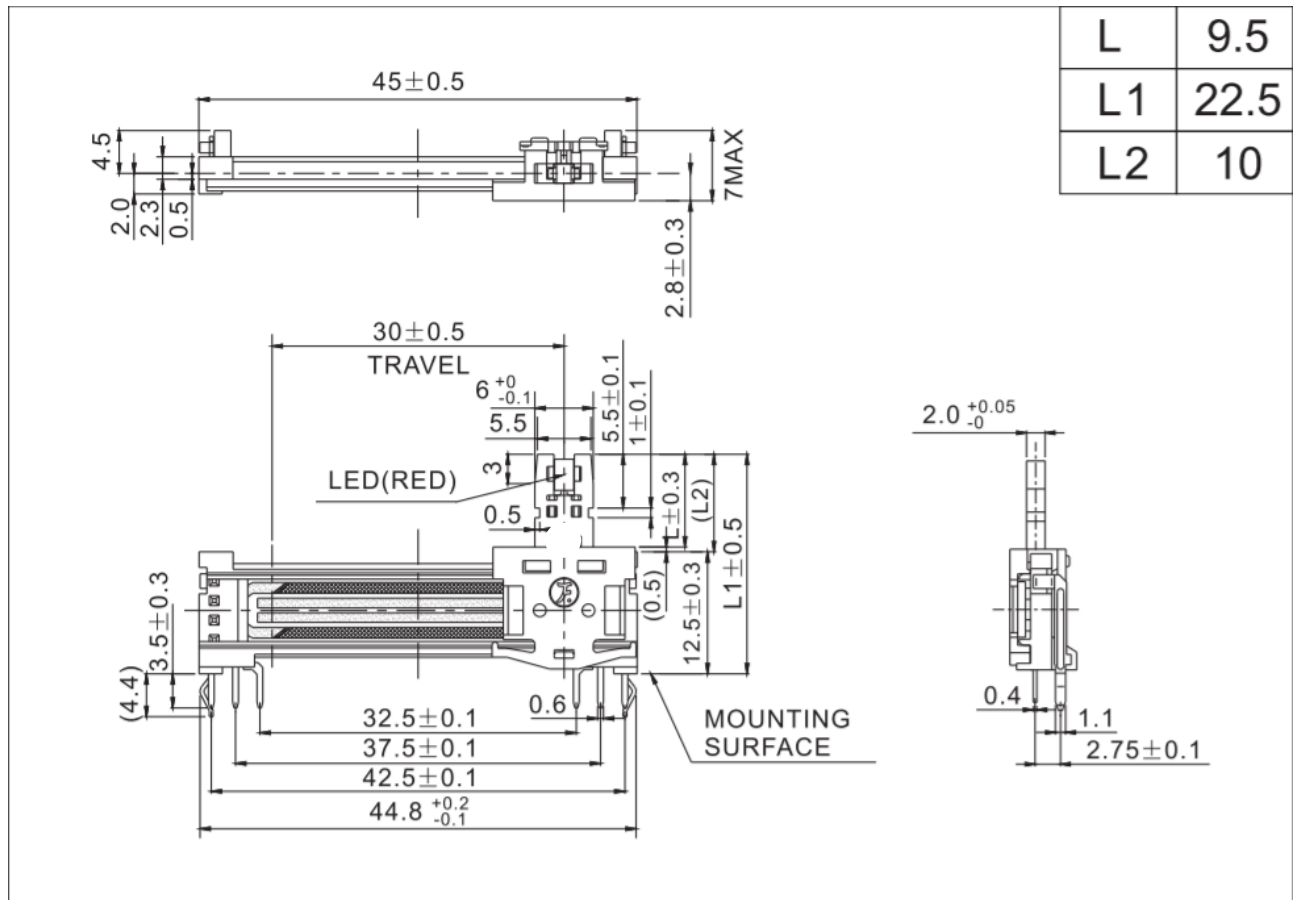
TT Electronics | BI Technologies
 Circulo de la Amistad #102 PIMSA IV Mexicali B.C. Mexico C.P 21210
 Ph: + 1 (714) 447-2345
 www.ttelectronics.com/bi-technologies

Rev - 06/2019 Page 4

Document #: _____

Outline Drawings

30 mm Travel, Standard Type, 2 Gangs, with LED



General Note
 TT Electronics reserves the right to make changes in product specification without notice or liability. All information is subject to TT Electronics' own data and is considered accurate at time of going to print.

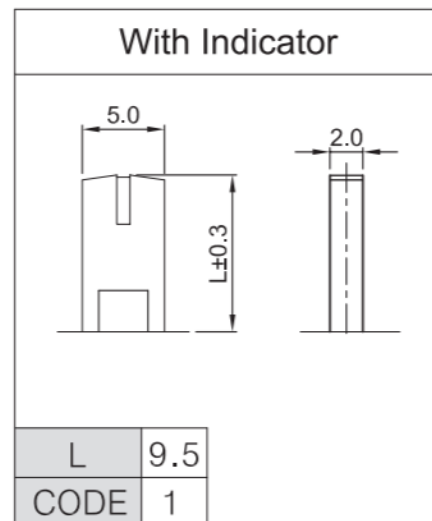
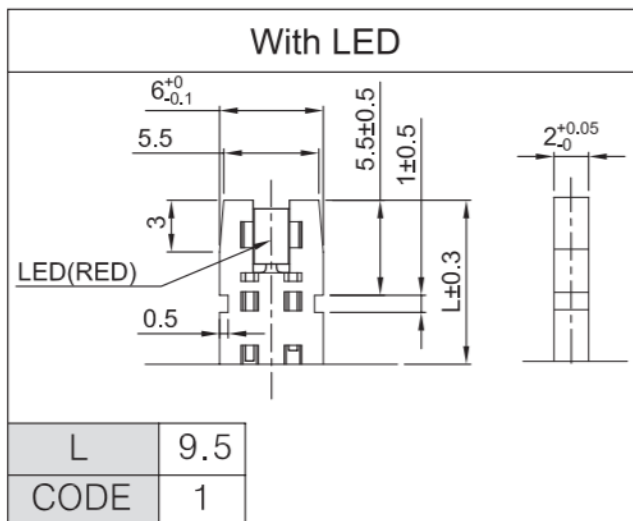
TT Electronics | BI Technologies
 Circulo de la Amistad #102 PIMSA IV Mexicali B.C. Mexico C.P 21210
 Ph: + 1 (714) 447-2345
www.ttelectronics.com/bi-technologies

Rev - 06/2019 Page 5

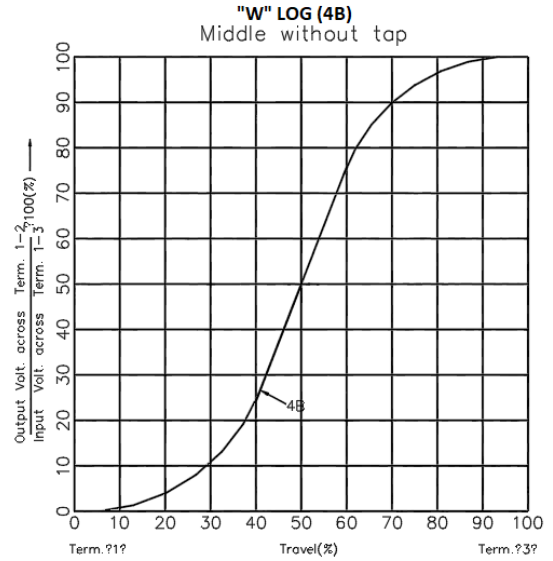
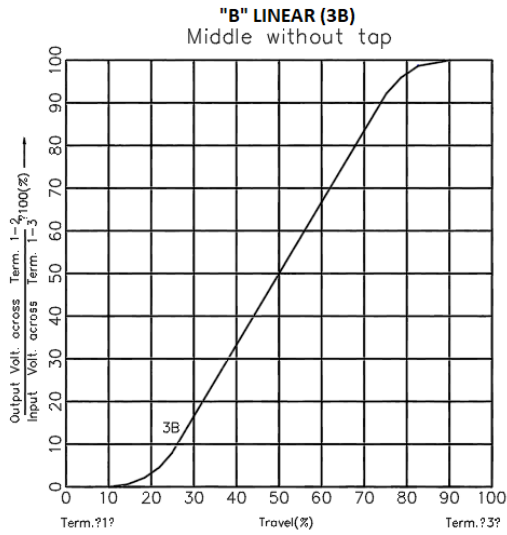
Document #: _____

Outline Drawings

Note 1: LED/Indicator Option



Standard Tapers



Packaging

Standard Packaging	Plastic Trays
Hardware	N/A

Mouser Electronics

Authorized Distributor

Click to View Pricing, Inventory, Delivery & Lifecycle Information:

[TT Electronics:](#)

[PSS220N200W09B103](#) [PSS220N201R09B103](#) [PSS230N200G09B103](#) [PSS230N201Y09W103](#)