

Rotary Potentiometer

P120 Series



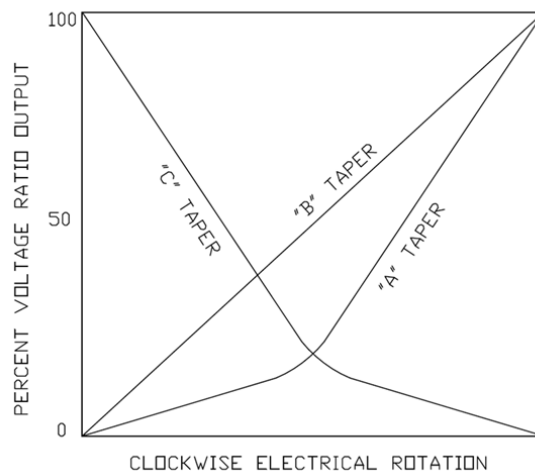
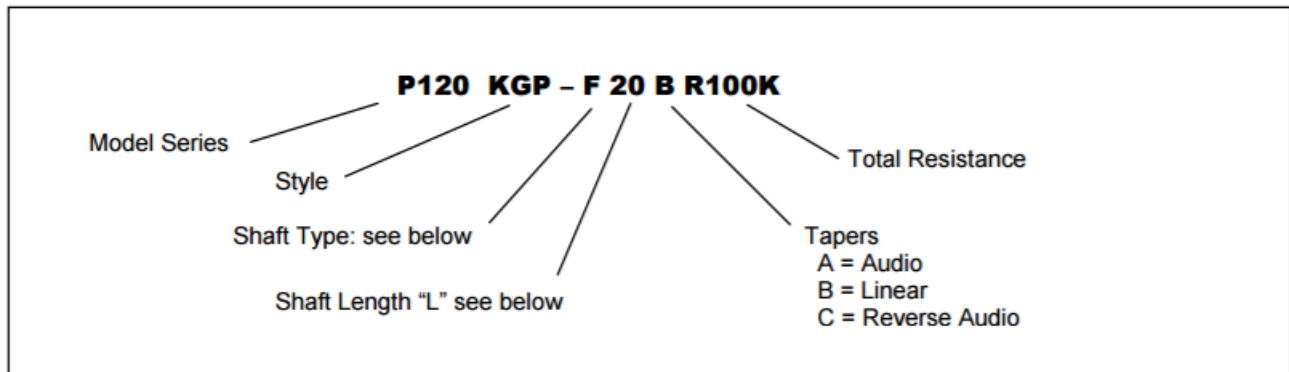
Features:

- 12 mm
- Conductive plastic element
- Single/dual unit
- 100,000 cycle life
- Insulated shaft
- RoHS compliant



Model Styles

Side Adjust, PCB pins, Single unit	P120K
Top Adjust, PCB pins, Single unit	P120PK
Top Adjust, PCB pins, Dual unit	P120KGP
Side Adjust, PCB pins, Dual unit	P120KGE



General Note

TT Electronics reserves the right to make changes in product specification without notice or liability. All information is subject to TT Electronics' own data and is considered accurate at time of going to print.

© TT electronics plc

TT Electronics | BI Technologies
413 Rood RD, Suite 7
Calexico, CA 92231
Ph: +1 714 447 2345
www.ttelectronics.com/bi-technologies

Electrical Specifications

Resistance Range, Ohms	1K- 1M
Standard Resistance Tolerance	± 20%
Residual Resistance	20 ohms max.
Input Voltage, maximum	50 Vac max.
Power rating, Watts	0.05w
Dielectric Strength	300Vac, 1 minute
Insulation Resistance, Minimum	100M ohms at 250Vdc
Sliding Noise	100mV max.
Gang Error (Multi-ganged)	-40dB – 0dB, ±3dB
Actual Electrical Travel, Nominal	260°

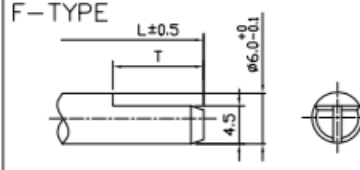
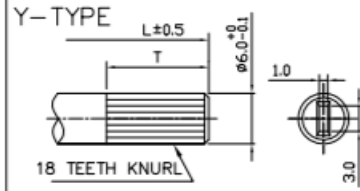
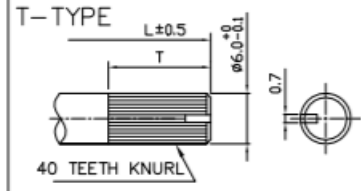
Mechanical Specifications

Total Mechanical Travel	300°± 10°
Static Stop Strength	50 oz-in
Rotational Torque	0.5 to 1.25 oz-in

Environmental Specifications

Operating Temperature Range	-40°C to +85°C
Rotational Life	100,000 cycles

Shaft Types

	F-TYPE								Y-TYPE								T-TYPE					
																						
TOP ADJUST	L	15	17	20	25	30	35	40	L	15	20	25	30	35	40	L	15	20	25	30	35	
	T	5	7	7	12	12	12	12	T	5	8	12	12	12	12	T	5	7	7	12	12	
SIDE ADJUST	L	10	15	20	25	30	L	10	15	20	25	30	L	10	15	20	25	30				
	T	5	8	12	12	12	T	5	8	12	12	12	T	5	7	7	12	12				

Standard Resistance Values, Ohms

1K 2K 5K 10K 20K 50K 100K 200K 500K 1MEG

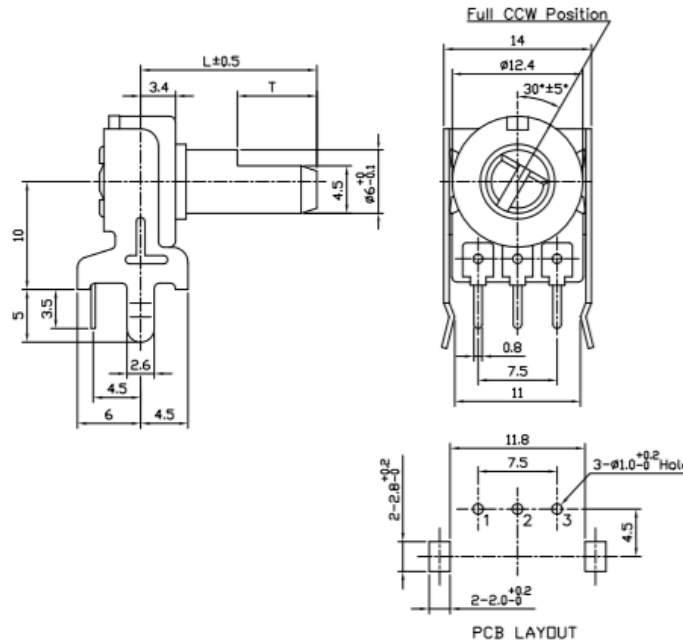
CIRCUIT DIAGRAM

Unless otherwise specified

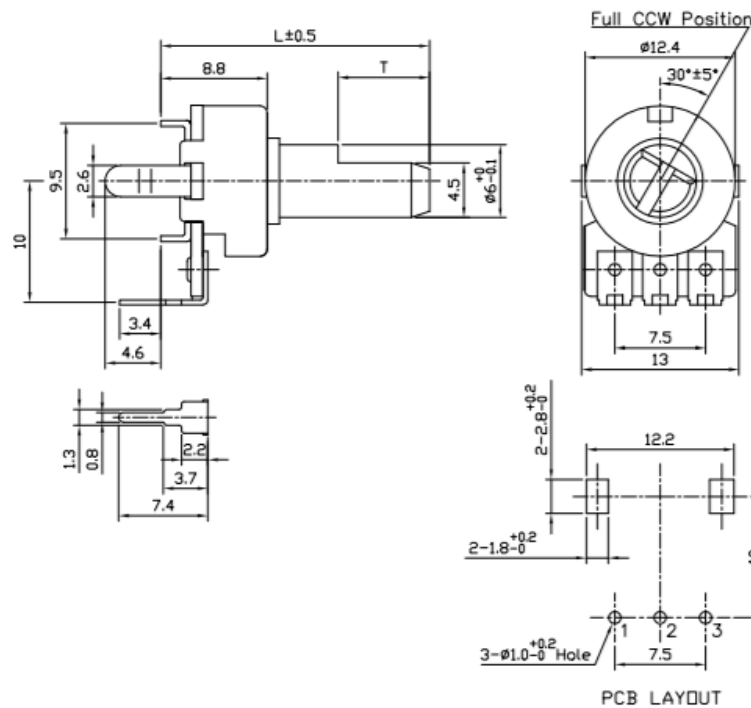


Outline Drawings

Model P120K (Side Adjust, PCB pins, Single unit)



Model P120PK (Top Adjust, PCB pins, Single unit)



General Note

TT Electronics reserves the right to make changes in product specification without notice or liability. All information is subject to TT Electronics' own data and is considered accurate at time of going to print.

© TT electronics plc

TT Electronics | BI Technologies
 413 Rood RD, Suite 7
 Calexico, CA 92231
 Ph: +1 714 447 2345
www.ttelectronics.com/bi-technologies

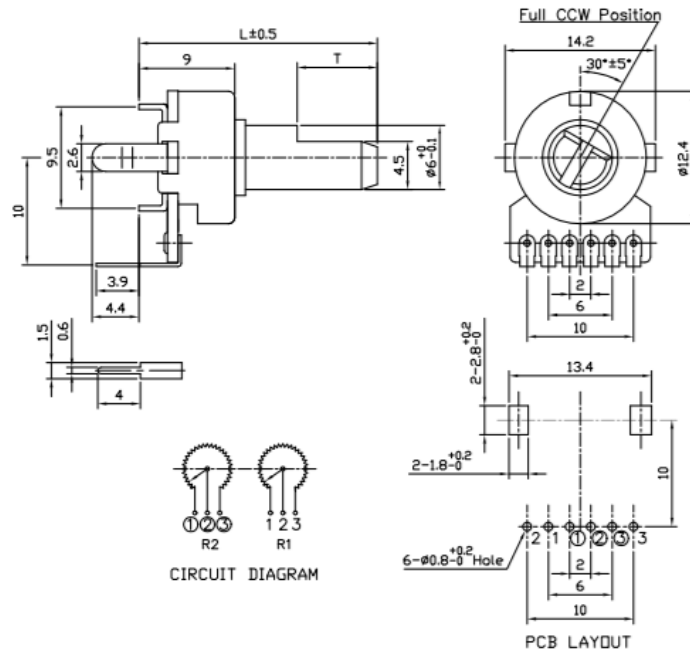
Rotary Potentiometer

P120 Series

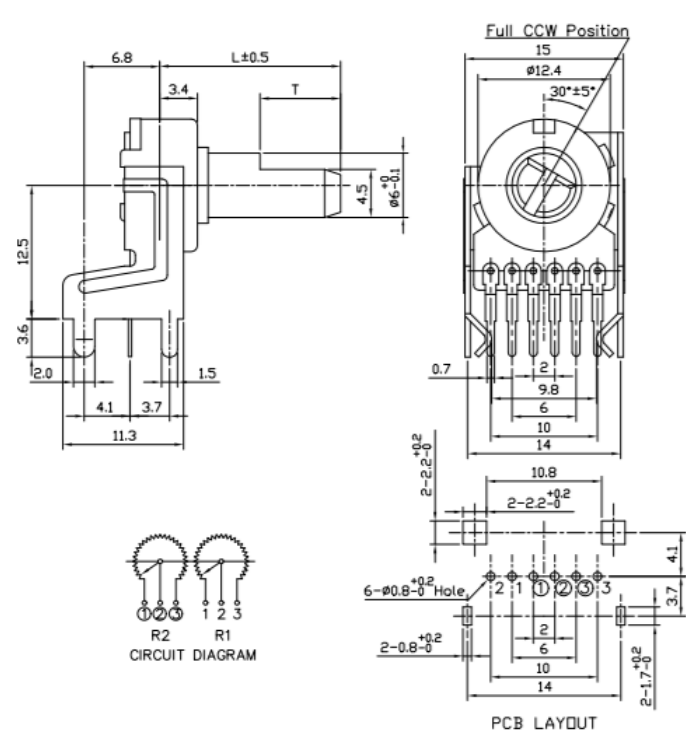


Outline Drawings

Model P120KGP (Top Adjust, PCB pins, Dual unit)



Model P120KGE (Side Adjust, PCB pins, Dual unit)



General Note
 TT Electronics reserves the right to make changes in product specification without notice or liability. All information is subject to TT Electronics' own data and is considered accurate at time of going to print.

TT Electronics | BI Technologies
 413 Rood RD, Suite 7
 Calexico, CA 92231
 Ph: +1 714 447 2345
 www.ttelectronics.com/bi-technologies

Mouser Electronics

Authorized Distributor

Click to View Pricing, Inventory, Delivery & Lifecycle Information:

TT Electronics:

[P120K-Y20BR50K](#) [P120KGP-Y35BR50K](#) [P120K-Y20AR10K](#) [P120PK-F17BR5K](#) [P120PK-Y20BR20K](#) [P120KGP-T35BR50K](#) [P120KGE-Y30BR50K](#) [P120KGE-Y35BR50K](#) [P120PK-F20BR5K](#) [P120K-F20BR5K](#) [P120KGP-F20BR100K](#) [P120KGP-F15BR10K](#) [P120KGP-F20BR10K](#) [P120K-Y20B100K](#) [P120PK-Y25BR10K](#) [P120KGP-Y15BR100K](#) [P120PK-Y20AR100K](#) [P120K-F20AR100K](#) [P120PK-F20AR2K](#) [P120PK-Y20AR50K](#) [P120KGE-F17AR50K](#) [P120PK-F40BR10K](#) [P120K-Y25AR50K](#) [P120KGP-F15B10K](#) [P120PK-Y20BR50K](#) [P120K-F25BR100K](#) [P120PK-F25BR100K](#) [P120KGE-F15AR50K](#) [P120KGP-Y15AR100K](#) [P120K-Y25BR10K](#) [P120PK-Y20BR100K](#) [P120K-F15AR10K](#) [P120PK-F04BR10K](#) [P120KGE-Y20BR50K](#) [P120KGP-Y15BR500K](#) [P120PK-Y25BR5K](#) [P120KGPT25BR100K](#)