

High Temperature Through Hole Inductors

Model HM53E-2211

Features and Benefits

- Operating Temperature Range -40°C to +220°C
- Temperature Rise, Maximum 50°C
- Operating Frequency Up to 200KHz
- RoHS Compliant



Specification @ 25°C

Part Number	Inductance ⁽¹⁾ μH±15%	Heating Current ⁽²⁾ (Adc)	I _{rated} ⁽³⁾ (Adc)	DCR (mΩ)	
				Typ.	Max.
HM53E-2211100VLF	10.4	11.5	10.5	6.4	8.32
HM53E-2211160VLF	15.9	8.5	8.5	12.1	15.73
HM53E-2211210VLF	20.8	11.5	5.0	6.4	8.32
HM53E-2211260VLF	26.2	6.0	6.5	23.7	30.81
HM53E-2211320VLF	31.8	8.5	4.0	12.1	15.73
HM53E-2211360VLF	35.5	11.5	3.5	6.4	8.32
HM53E-2211530VLF	52.5	6.0	3.1	23.7	30.81
HM53E-2211540VLF	54.2	8.5	2.7	12.1	15.73
HM53E-2211900VLF	89.7	6.0	2.1	23.7	30.81

Notes:

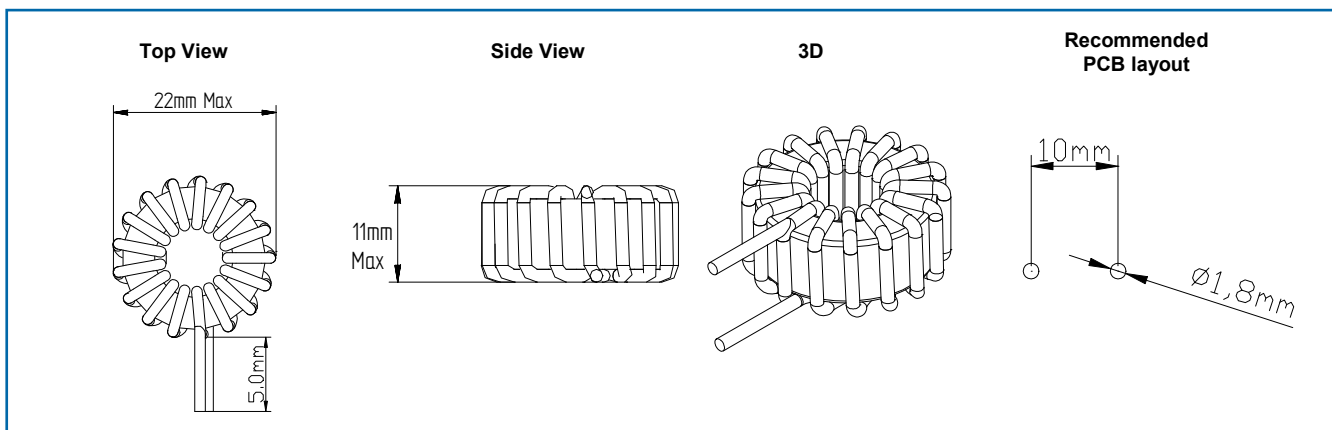
(1) Inductance is measured at 10 kHz, 0.1Vac without DC current.

(2) The Heating Current is the approximate DC current which causes the component temperature to increase by 40°C. This current is determined by soldering the component on a typical application PCB, and then applying the current to the device for 30 minutes.

(3) The rated current (I_{rated}) is the approximate current at which the inductance will be decreased by 30% typical from its initial (zero DC) value.

(4) The part temperature (ambient + temperature rise) should not exceed 220°C.

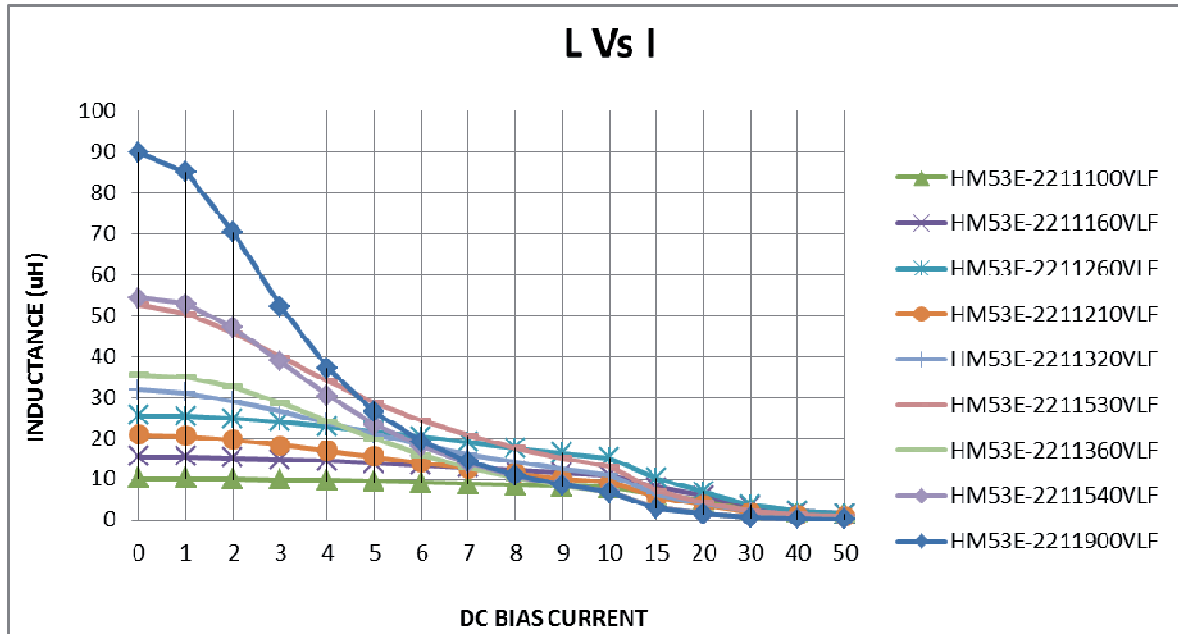
Outline Dimensions (mm)



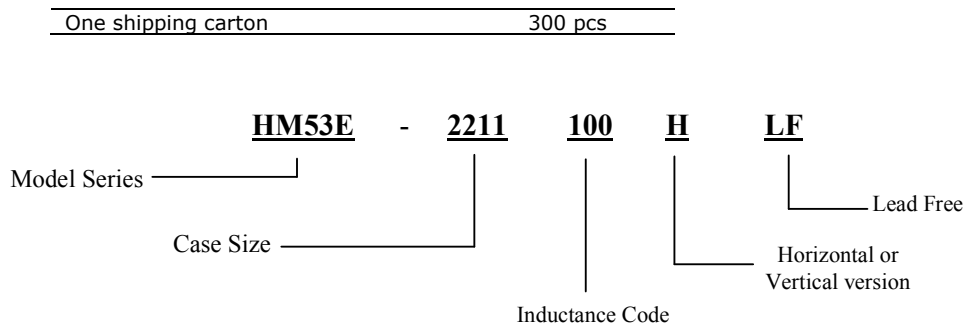
General Note

TT Electronics reserves the right to make changes in product specification without notice or liability. All information is subject to TT Electronics' own data and is considered accurate at time of going to print.

Electrical Characteristic @ 20°C (Cont'd)



Packaging / Ordering Information



General Note

TT Electronics reserves the right to make changes in product specification without notice or liability. All information is subject to TT Electronics' own data and is considered accurate at time of going to print.

Mouser Electronics

Authorized Distributor

Click to View Pricing, Inventory, Delivery & Lifecycle Information:

[TT Electronics:](#)

[HM53E-2211360VLF](#) [HM53E-2211530VLF](#) [HM53E-2211100VLF](#) [HM53E-2211160VLF](#) [HM53E-2211540VLF](#)
[HM53E-2211320VLF](#) [HM53E-2211260VLF](#) [HM53E-2211900VLF](#) [HM53E-2211210VLF](#)