

# Rotary Encoder

## Model EN16 Series



### Features:

- 16 mm
- 2 bits gray code
- Incremental/contacting type
- Metal bushing/shaft



### Model Styles Available

Top Adjust, PCB pins	EN16-H
Side Adjust, PCB pins	EN16-V

### Electrical

Pulses ( Per Revolution )	12 & 24
Closed Circuit Resistance, Ohms	3 Ohms, max.
Contact Rating	0.5mA/ 5Vdc
Operating Current, Maximum	0.5mA
Dielectric Strength	50Vac/ 1mA, 1 minute
Insulation Resistance, Minimum	10M ohms at 50Vdc/ 1mA
Sliding Noise ( at 60 RPM )	2.0ms max.
Contact Bounce ( at 15 RPM )	5.0ms max.
Operating speed ( RPM )	100 RPM max.
Actual Electrical Travel, Nominal	Continuous

### Mechanical

Total Mechanical Travel	Continuous
Detents (per Revolution)	0,12, 24
Rotational Torque of Detent, Maximum	2.5 oz-in

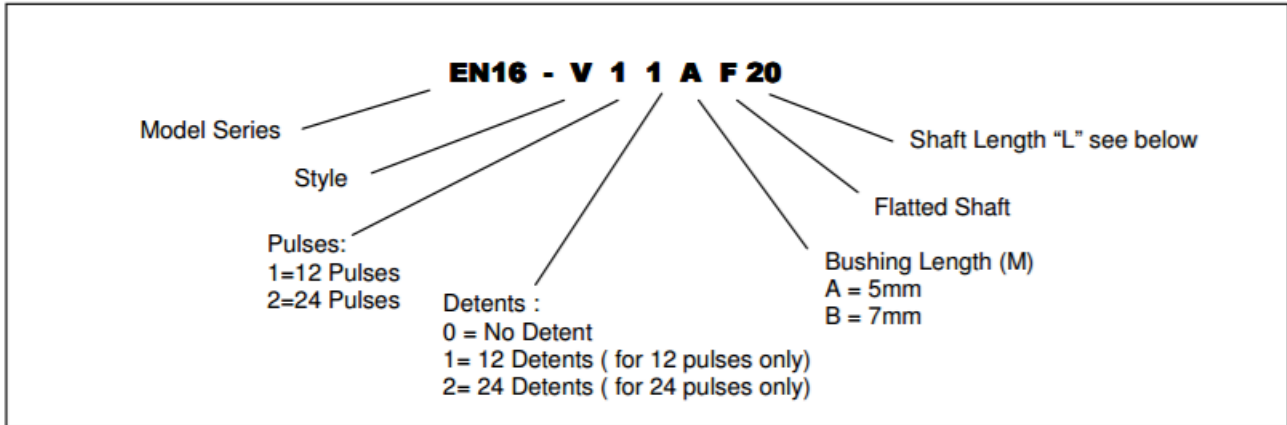
### Environmental

Operating Temperature Range	-30°C to +85°C
Rotational Life	30,000 cycles

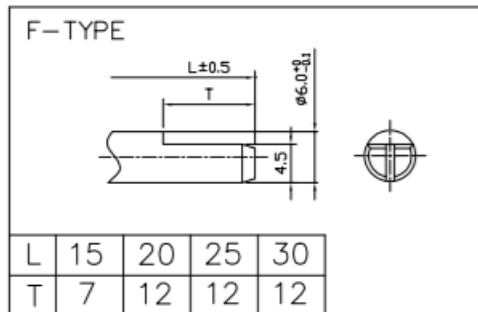
General Note  
 TT Electronics reserves the right to make changes in product specification without notice or liability. All information is subject to TT Electronics' own data and is considered accurate at time of going to print.

TT Electronics | BI Technologies  
 Circulo de la Amistad #102 PIMSA IV Mexicali B.C. Mexico C.P 21210  
 Ph: +1 714 447 2345  
[www.ttelectronics.com/bi-technologies](http://www.ttelectronics.com/bi-technologies)

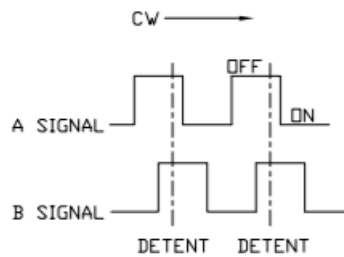
### Ordering



### Shaft Length options

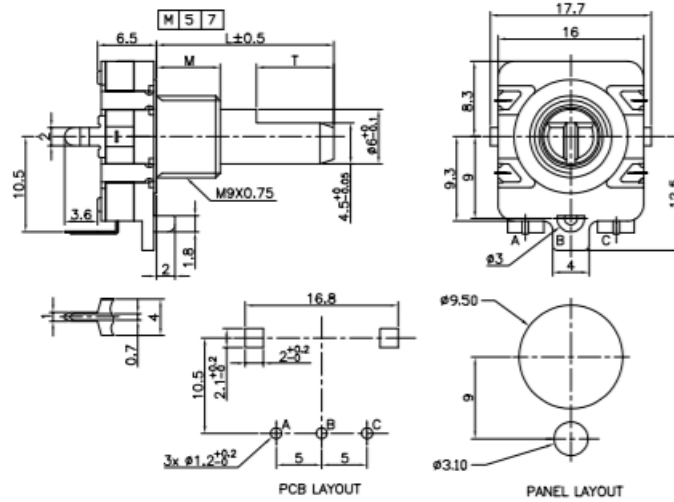


### Circuit Diagram

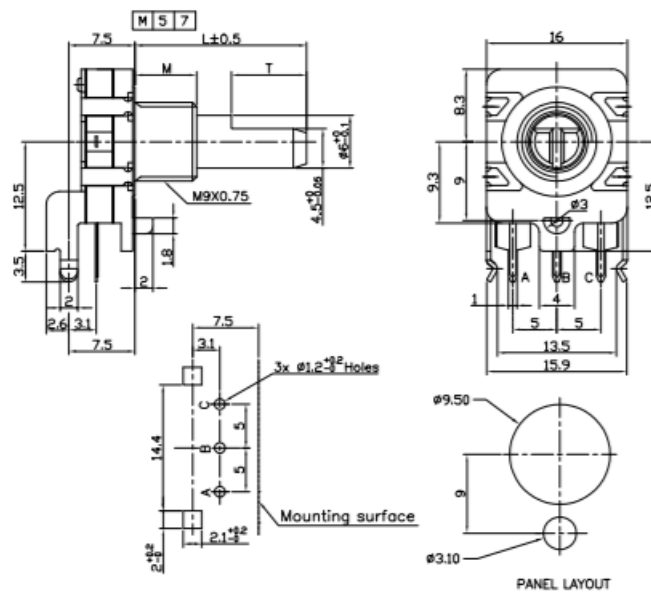


### Outline Drawings

**EN16-H (Top Adjust, PCB pins)**



**EN16-V (Side Adjust, PCB pins)**



General Note  
 TT Electronics reserves the right to make changes in product specification without notice or liability. All information is subject to TT Electronics' own data and is considered accurate at time of going to print.

TT Electronics | BI Technologies  
 Circulo de la Amistad #102 PIMSA IV Mexicali B.C. Mexico C.P 21210  
 Ph: +1 714 447 2345  
[www.ttelectronics.com/bi-technologies](http://www.ttelectronics.com/bi-technologies)

# Mouser Electronics

Authorized Distributor

Click to View Pricing, Inventory, Delivery & Lifecycle Information:

[TT Electronics:](#)

[EN16-H20AF15](#) [EN16-V22AF15](#) [EN16-H22BF20](#) [EN16-V10BF15](#) [EN16-H22AF30](#) [EN16-H22AF15](#) [EN16-V11AF20](#)