

# MODEL 2696

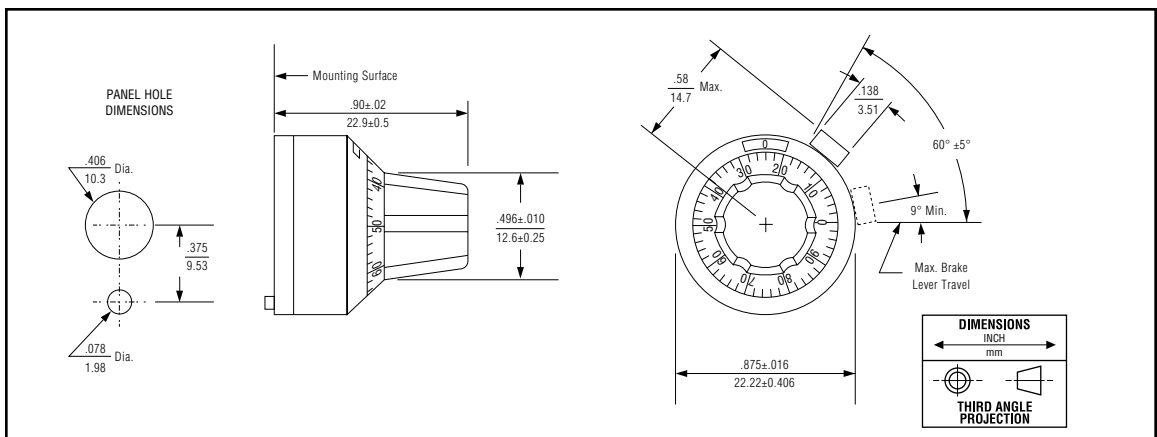
## 7/8" Diameter

### Low Cost Plastic Analog Turns Counting Dial



Counting Capacity, Maximum Turns	10
For Shaft Diameter	1/4"
For Bushing Diameter	3/8"
Depth: Maximum, from Face of Panel	0.900"
Shaft Extension: Maximum, from Face of Panel	0.781"
Minimum, from Face of Panel	0.620"
Bushing Extension: Maximum, from Face of Panel	0.300"
Locking Mechanism	Positive Action
Weight, Nominal	16 Grams
Number of Set Screws	1
Numeral Height	0.050"
Knob Material	Black Plastic
Dial Finish	White Numerals on Black Matte
Housing Finish	Satin Chrome
Operating Temperature Range	-55°C to +71°C

#### OUTLINE DIMENSIONS (Inch/mm)



Specifications subject to change without notice.

# Mouser Electronics

Authorized Distributor

Click to View Pricing, Inventory, Delivery & Lifecycle Information:

[TT Electronics:](#)

[2696](#)