

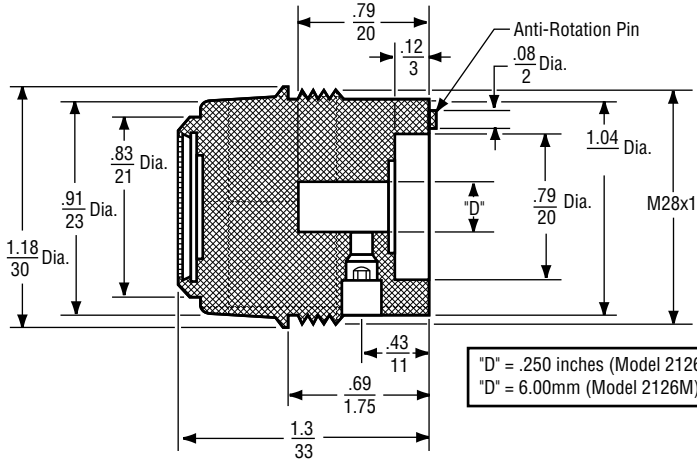
MODEL 2126
1" Diameter
Digital
Turns Counting Dial



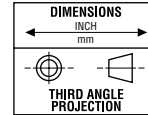
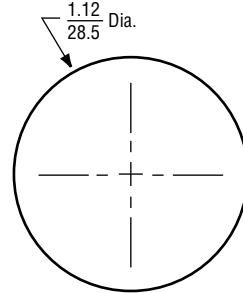
MODEL	2126	2126M (METRIC)
Counting Capacity, Maximum Turns	10	
For Shaft Diameter	1/4"	6.00mm
For Bushing Diameter	3/8"	
Depth: Maximum, From Face of Panel	.65"/16.5mm	
Shaft Extension:	Maximum, From Face of Panel	.65"/16.5mm
	Minimum, From Face of Panel	.43"/11.0mm
Bushing Extension:	Maximum, From Face of Panel	.16"/4.1mm
	Minimum, From Face of Panel	.11"/2.8mm
Locking Mechanism	Locking Brake	
Weight, Approximate	0.76 oz.	
Numerals	0.09" High, White on Black Background	
# of Digits	3	
Knob Material	Polycarbonate, Black	

Specifications subject to change without notice.

OUTLINE DIMENSIONS (Inch/mm)



Panel Hole Dimensions



Mouser Electronics

Authorized Distributor

Click to View Pricing, Inventory, Delivery & Lifecycle Information:

[TT Electronics:](#)

[2126](#)