

MODEL 72

3/8" Square

Single Turn

Cermet Trimming

Potentiometer



1

ELECTRICAL

Standard Resistance Range, Ohms	10 to 2Meg
Standard Resistance Tolerance	±10% (<100 Ohms = ±20%)
Input Voltage, Maximum	200 Vdc or rms not to exceed power rating
Slider Current, Maximum	100mA or within rated power, whichever is less
Power Rating, Watts	0.5 at 85°C derating to 0 at 125°C
End Resistance, Maximum	2 Ohms
Actual Electrical Travel, Nominal	244°
Dielectric Strength	900 Vrms
Insulation Resistance, Minimum	1,000 Megohms
Resolution	Essentially infinite
Contact Resistance Variation, Maximum	1% or 1 Ohm, whichever is greater

ENVIRONMENTAL

Seal	85°C Fluorinert® (No Leaks)
Temperature Coefficient, Maximum	±100ppm/°C
Operating Temperature Range	-55°C to +125°C
Thermal Shock	5 cycles, -55°C to +125°C (1% ΔRT, 1% ΔVR)
Moisture Resistance	Ten 24 hour cycles (1% ΔRT, IR 100 Megohms Min.)
Shock, 6ms Sawtooth	100G's (1% ΔRT, 1% ΔVR)
Vibration	20G's, 10 to 2,000 Hz (1% ΔRT, 1% ΔVR)
High Temperature Exposure	250 hours at 125°C (2% ΔRT, 2% ΔVR)
Rotational Life	200 cycles (3% ΔRT)
Load Life at 0.5 Watts	1,000 hours at 70°C (2% ΔRT)
Resistance to Solder Heat	260°C for 10 sec. (1% ΔRT)

MECHANICAL

Mechanical Stops	Solid
Torque, Starting Maximum	3 oz.-in. (0.021 N-m)
Weight, Nominal	.025 oz. (0.70 grams)

Fluorinert® is a registered trademark of 3M Company.
Specifications subject to change without notice.



TOP ADJUSTMENT (Inch/mm)

Model 72P



Note: Model 72P dimensions applicable to all other models except as noted.

Model 72PL



Model 72PM



Model 72PX, 72RPX



Model 72RPX - Terminals 1 and 3 are reversed

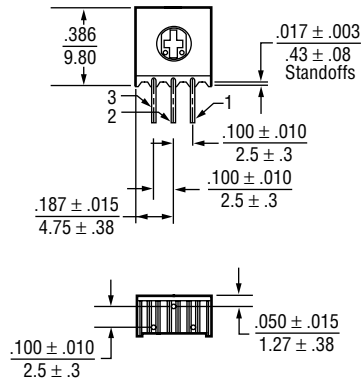
Model 72RP



SIDE ADJUSTMENT (Inch/mm)

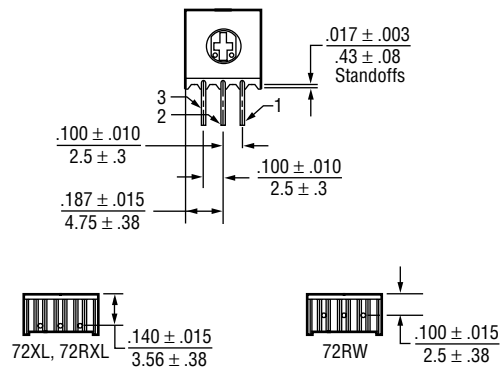
1

Model 72X, 72RX



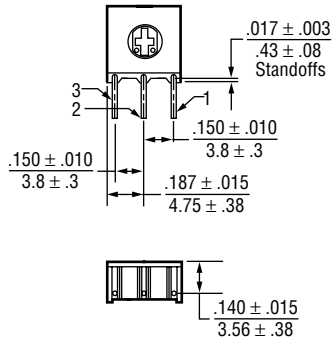
Model 72RX - Terminals 1 and 3 are reversed

Model 72XL, 72RXL, 72RW



Model 72RXL And 72RW - Terminals 1 and 3 are reversed

Model 72XW, 72RXW

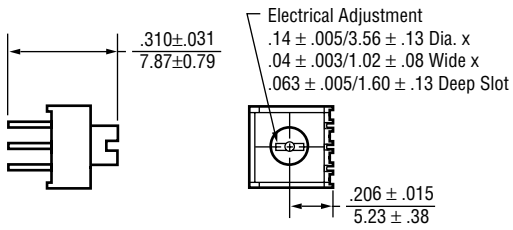


Model 72RXW - Terminals 1 and 3 are reversed

EXTENDED ROTOR OPTION (Inch/mm)

Available for all Model 72 pin styles:

72PE, 72PLE, 72PME, 72PXE, 72RPXE, 72XE, 72RXE,
72XLE, 72RXLE, 72RWE, 72XWE, 72RXWE



ADJUSTMENT KNOB OPTION (Inch/mm)

Available options:

72XT- Side Adjustment (See 72X for Pin Configuration)
 72PT- Top Adjustment (See 72P for Pin Configuration)



72PT Shown - Dimensions applicable to 72XT

STANDARD RESISTANCE VALUES, OHMS

10	100	1K	10K	50K	250K	2Meg
20	200	2K	20K	100K	500K	
50	500	5K	25K	200K	1Meg	

Standard: Boxes
Capacity = 100 Units

Option: Tubes
All units oriented with #1 pin to same side.

	Pin Style		P, PM	X, XL, XW, RW
Magazine	Width	=	0.47"	0.29"
	Height	=	0.54"	0.76"
	Length	=	20.5"	20.1"
	Capacity	=	50 Units	50 Units

Option: Tape & Reel, Ammo Pack (Available only for 72RW only)
All units oriented with #1 pin to the right of the direction of feed.

	Seat Plane to Centerline of Sprocket Hole	=	.71" (18.03 mm)
Tape	Width	=	18 mm
	Sprocket	=	Single Hole .50" spacing
	Capacity	=	1,000 Units
Reel	Diameter	=	14" (356mm)
Ammo	Tape Fold	=	12" (305mm)
	Box	=	1.8" x 13" x 10" (46mm x 330mm x 254mm)

ORDERING INFORMATION

Standard:



Option:



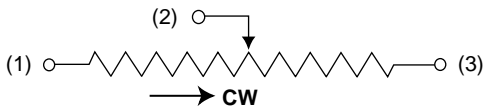
Option:



Option:



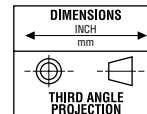
CIRCUIT DIAGRAM



NOTES

Metric equivalents, based on 1 inch = 25.4mm are rounded to the same number of significant figures as in the original English units and are provided for general information only.

Tolerances unless otherwise specified:
Linear = ± .01 inches (.25mm)
Angular = ± 2 degrees



Mouser Electronics

Authorized Distributor

Click to View Pricing, Inventory, Delivery & Lifecycle Information:

TT Electronics:

[72RPR1MEGLF](#) [72RWR5KLF](#) [72RXLR20KLF](#) [72XLR10KLF](#) [72XLR200KLFTB](#) [72XLR20KLF](#) [72XLR500LF](#)
[72XLR5KLF](#) [72XWR25KLF](#) [72XWR50LF](#) [72XWR500LF](#) [72PMR250KLF](#) [72RXLER100KLF](#) [72RWR250KLFTB](#)
[72RPXR10LF](#) [72XTR500KLF](#) [72RWR25KLF](#) [72PXR50LF](#) [72RPXR25KLF](#) [72RPXR2MEGLF](#) [72XTR10LF](#)
[72XTR2MEGLF](#) [72XWR2MEGLFTB](#) [72XLR2MEGLF](#) [72RXWR500LF](#) [72RXWR500KLF](#) [72XLR20KLFTB](#)
[72RXR10LF](#) [72RXR25KLF](#) [72RXWR250KLF](#) [72PTR50LF](#) [72PXR1MEGLF](#) [72PR10LFTB](#) [72RXLR100KLF](#)
[72PR25KTB](#) [72XWR500LFTB](#) [72XWR50LFTB](#) [72RWR25KLFTB](#) [72RWR2MEGLF](#) [72RWR2MEGLFTB](#)
[72RWR500KLF](#) [72RWR50KLFTB](#) [72RXLR10LF](#) [72RWR100KLF](#) [72RWR100KLFTB](#) [72RWR200KLFTB](#)
[72RPXR200KLF](#) [72RPXR250KLF](#) [72RXWR200KLF](#) [72RXWR20KLF](#) [72RXWR2MEGLF](#) [72XLR500KLF](#)
[72RXWR100KLF](#) [72XWR10LFTB](#) [72RXR250KLF](#) [72XTR200KLF](#) [72XTR25KLF](#) [72RXLR200KLF](#) [72RXLR250KLF](#)
[72RXLR500KLF](#) [72RWR20KLFTB](#) [72PXR20LF](#) [72PXR200KLF](#) [72RPXR50LF](#) [72RWR10LF](#) [72RWR10KLFTB](#)
[72RWR10LFTB](#) [72RWR200KLF](#) [72PTR20LF](#) [72PXR500KLF](#) [72RPXR100LF](#) [72PR20LFTB](#) [72PR2MEGLFTB](#)
[72PTR10LF](#) [72PMR10LFTB](#) [72PMR2MEGLFTB](#) [72PLR20LF](#) [72PLR25KLF](#) [72PLR50LF](#) [72PLR500KLF](#)
[72PLR100LF](#) [72PLR200KLF](#) [72PLR250KLF](#) [72XWR100KLFTB](#) [72XWR20KLFTB](#) [72XWR25KLFTB](#)
[72XWR500KLFTB](#) [72PXR2MEGLF](#) [72RWR500LFTB](#) [72XTR50LF](#) [72XLR50KLF](#) [72XR2MEGLFTB](#) [72XLR10LFTB](#)
[72RXLR2MEGLF](#) [72RXWR50LF](#) [72RXWR50KLF](#) [72RWR50LF](#) [72RWR500KLFTB](#) [72RWR50LFTB](#) [72XTR500LF](#)