

Multi-Turn Precision Potentiometer

Model 7274 / 7276



Features:

- 7/8" diameter
- Plastic 10-turn
- Wirewound



Model Styles

| | |
|------|--------------------------|
| 7274 | 6mm Shaft, 3/8" Bushing |
| 7276 | 1/4" Shaft, 3/8" Bushing |

Electrical

| | |
|---|------------------------------------|
| Resistance Range, Ohms | 100 to 100K |
| Standard Resistance Tolerance | ±5% |
| Independent Linearity | ±0.25% |
| Power Rating, Watts | 2.0 at 25°C derating to 0 at 105°C |
| Dielectric Strength | 1,000V rms |
| Insulation Resistance, Minimum | 1,000 Megohms |
| Noise, Maximum | 100 Ohms |
| Actual Electrical Travel | 3600° + 10° - 0° |
| Tap Tolerance | ±3° |
| End Voltage, Maximum (% of input voltage) | 0.25% |

Environmental

| | |
|-----------------------------|--|
| Operating Temperature Range | -25°C to +105°C |
| Temperature Cycling | 5 cycles, -25°C to +105°C (5% ΔR) |
| Shock, 6ms Sawtooth | 100G's (0.1ms discontinuity max.) |
| Vibration | 10G's, 10 to 500 Hz (5% ΔR, 0.1ms discontinuity max.) |
| Moisture Resistance | Five 24 hour cycles (3% ΔR) |
| High Temperature Exposure | 1,000 hours at 105°C (5% ΔR) |
| Rotational Load Life | 500K shaft rev. + 900 hrs. at rated wattage at 25°C (5%ΔR) |

Specifications subject to change without notice.

General Note

TT Electronics reserves the right to make changes in product specification without notice or liability. All information is subject to TT Electronics' own data and is considered accurate at time of going to print.

© TT electronics plc

TT Electronics | BI Technologies
413 Rood RD, Suite 7
Callexico, CA 92231
Ph: +1 714 447 2345
www.ttelectronics.com/bi-technologies

Multi-Turn Precision Potentiometer

Model 7274 / 7276



Mechanical

| | |
|--------------------------------------|------------------|
| Total Mechanical Travel | 3600° + 15° - 0° |
| Number of Gangs, Maximum | 1 |
| Weight, Nominal | 0.42 oz. |
| Static Stop Strength, Maximum | 60 oz.-in. |
| Backlash, Maximum | 2° |
| Panel Nut Tightening Torque, Maximum | 8 lb.-in. |
| Shaft End Play, Maximum | .010" |
| Shaft Radial Play, Maximum | .010" |
| Start/Run Torque, Maximum | 1.5 oz.-in. |

Standard Resistance Values, Ohms

| Total Resistance | Theoretical Resolution (% Nominal) | Tempco of Wire |
|------------------|------------------------------------|----------------|
| 100 | 0.059 | ±20 ppm/°C |
| 200 | 0.037 | ±20 ppm/°C |
| 500 | 0.030 | ±20 ppm/°C |
| 1K | 0.024 | ±20 ppm/°C |
| 2K | 0.020 | ±20 ppm/°C |
| 5K | 0.018 | ±20 ppm/°C |
| 10K | 0.017 | ±20 ppm/°C |
| 20K | 0.016 | ±20 ppm/°C |
| 50K | 0.010 | ±20 ppm/°C |
| 100K | 0.009 | ±20 ppm/°C |

METRIC CONVERSIONS

| | | | |
|-------|---------|-----------|-----------|
| 1 in. | 25.4 mm | 1 oz.-in. | 0,007 N-m |
| 1 oz. | 28.4 gm | 1 lb.-in. | 0,113 N-m |

Special Features

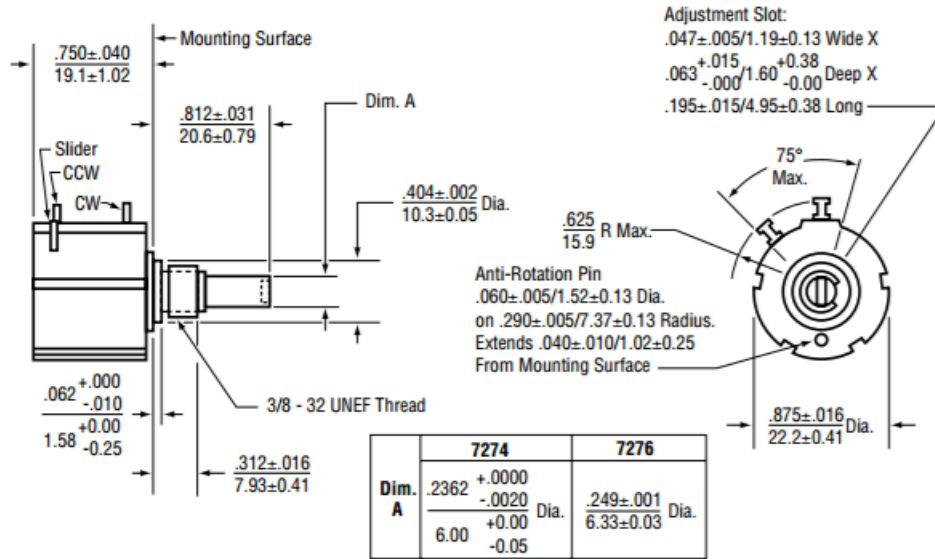
| | |
|--|----|
| Center Tap | CT |
| Linearity Tape | LT |
| Flatted Shaft | FS |
| Shaft Lock | SL |
| Gold Plated Solder Lug Terminals (see optional terminal configuration) | FT |

General Note
TT Electronics reserves the right to make changes in product specification without notice or liability. All information is subject to TT Electronics' own data and is considered accurate at time of going to print.

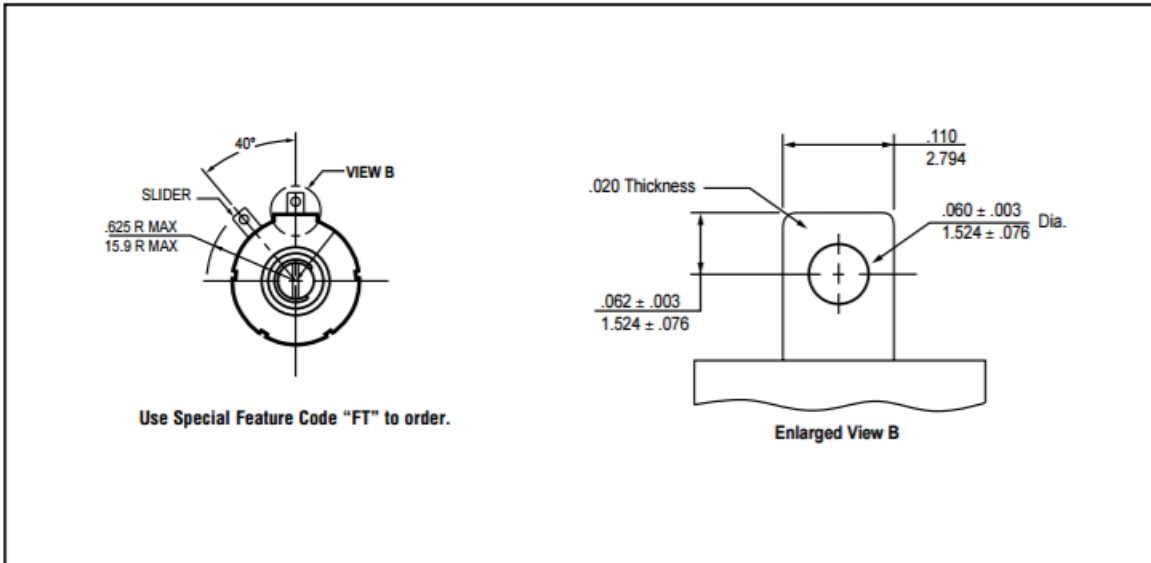
TT Electronics | BI Technologies
413 Rood RD, Suite 7
Calexico, CA 92231
Ph: +1 714 447 2345
www.ttelectronics.com/bi-technologies

Multi-Turn Precision Potentiometer

Model 7274 / 7276



OPTIONAL TERMINAL CONFIGURATION



General Note
 TT Electronics reserves the right to make changes in product specification without notice or liability. All information is subject to TT Electronics' own data and is considered accurate at time of going to print.

© TT electronics plc

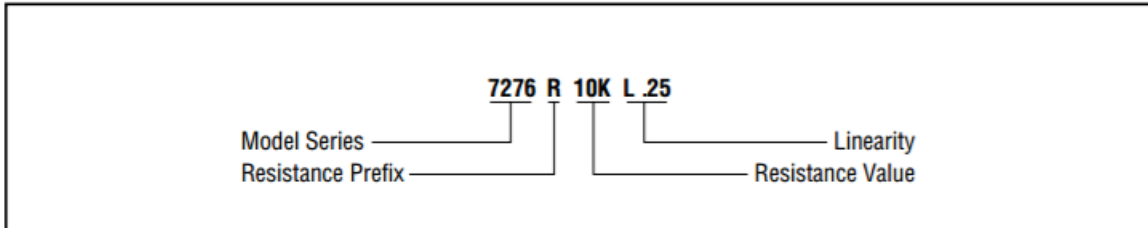
TT Electronics | BI Technologies
 413 Rood RD, Suite 7
 Calexico, CA 92231
 Ph: +1 714 447 2345
 www.ttelectronics.com/bi-technologies

Multi-Turn Precision Potentiometer

Model 7274 / 7276



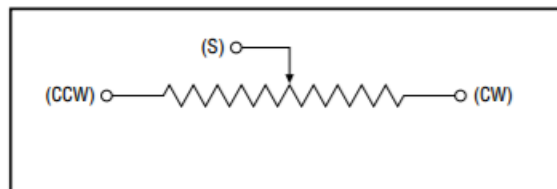
ORDERING INFORMATION



MATCHING TURNS COUNTING DIALS

2606, 2606S, 2607, 2607S, 2626, 2627, 2646, 2646S, 2647, 2647S, 2126, RB

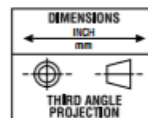
CIRCUIT DIAGRAM



NOTES

Metric equivalents, based on 1 inch = 25.4mm are rounded to the same number of significant figures as in the original English units and are provided for general information only.

Tolerances unless otherwise specified:
Linear = ± .01 inches
(.25mm)
Angular = ± 2 degrees



General Note
TT Electronics reserves the right to make changes in product specification without notice or liability. All information is subject to TT Electronics' own data and is considered accurate at time of going to print.

© TT electronics plc

TT Electronics | BI Technologies
413 Rood RD, Suite 7
Calexico, CA 92231
Ph: +1 714 447 2345
www.ttelectronics.com/bi-technologies

Mouser Electronics

Authorized Distributor

Click to View Pricing, Inventory, Delivery & Lifecycle Information:

TT Electronics:

[7276R10KL.25](#) [7276R20KL.25](#) [7276R5KL.25](#) [7276R100KL.25](#) [7276R100L.25](#) [7276R1KL.25](#) [7276R200L.25](#)
[7276R2KL.25](#) [7276R500L.25](#) [7276R50KL.25](#) [7274R10KL.25](#) [7274R50KL.25](#) [7274R100KL.25](#) [7274R100L.25](#)
[7274R500L.25](#) [7274R10L.5](#) [7274R5KL.25](#) [7274R2KL.25](#) [7274R1KL.25](#) [7274R20KL.25](#)