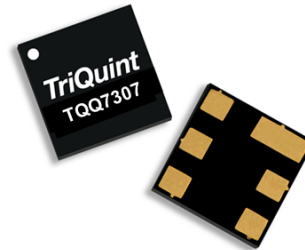


Applications

- LTE Band 7 Uplink Infrastructure
- Base Station
- General Purpose Wireless

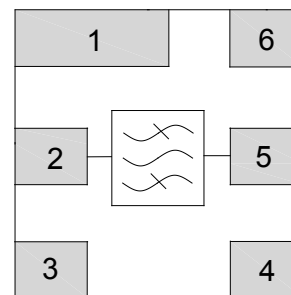


6 Pin 3x3 mm leadless SMT Package

Product Features

- 70 MHz Bandwidth
- High Attenuation
- Low Loss
- 50 Ohm Input/Output Impedance
- Single-ended Operation
- Small Size: 3.00 x 3.00 x 1.02 mm
- Surface Mount Device
- RoHS Compliant, Pb-Free

Functional Block Diagram



Top View

General Description

The TQQ7307 is a general purpose uplink BAW filter for LTE Band 7. This filter is housed in a compact 3x3 mm package for base station applications.

Low insertion loss, coupled with high attenuation makes this filter an ideal choice for uplink RF filtering needs.

The TQQ7307 is part of TriQuint's extensive portfolio of RF BAW and SAW filters.

Pin Configuration

Pin No.	Label
2	Input
5	Output
1,3,4,6	Case Ground

Ordering Information

Part No.	Description
TQQ7307	2535 MHz BAW Filter
TQQ7307-EVB	Evaluation board

Standard T/R size = 2500 pieces on a 7" reel

Absolute Maximum Ratings

Parameter	Rating
Storage Temperature	-40 to +95°C
RF Input Power (CW, +55°C for 10,000 hours)	+30 dBm

Operation of this device outside the parameter ranges given above may cause permanent damage.

Recommended Operating Conditions

Parameter	Min	Typ	Max	Units
T _{CASE}	-40		+85	°C

Electrical specifications are measured at specified test conditions.

Electrical Specifications^(1,2,3,4)

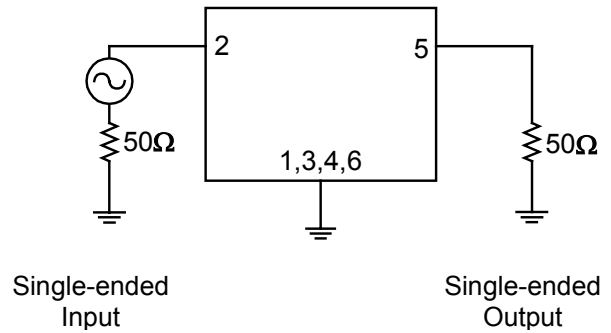
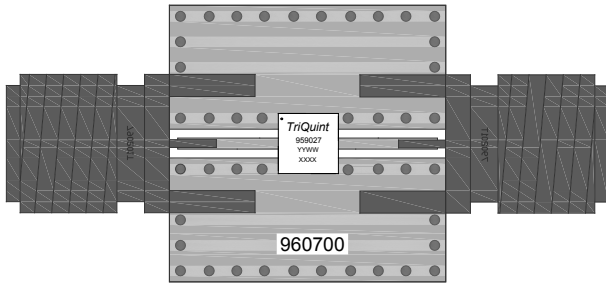
Test conditions unless otherwise specified: Passband Freq.=2500-2570 MHz, Temp. Range=-40 to +85°C, Z_S=Z_L=50 Ohms

Parameter	Conditions	Min	Typ ⁽⁴⁾	Max	Units
Center Frequency		-	2535	-	MHz
3.5 dB Bandwidth		-	83	-	MHz
Maximum Insertion Loss		-	2.0	3.5	dB
Amplitude Variation ⁽⁵⁾		-	0.9	2.4	dB
Group Delay Variation ⁽⁶⁾		-	14	30	ns p-p
Group Delay Variation ⁽⁶⁾	Any 5 MHz band in passband	-	7	13	ns p-p
Input VSWR	2500 – 2570 MHz	-	1.9:1	2.4:1	-
Output VSWR	2500 – 2570 MHz	-	1.8:1	2.4:1	-
Stopband Attenuation (relative to zero dB)	0.9 – 1100 MHz	36	40	-	dB
	1100 – 2170 MHz	30	34	-	
	2170 – 2260 MHz	38	45	-	
	2260 – 2450 MHz	32	39	-	
	2450 – 2480 MHz	12	20	-	
	2590 – 2620 MHz	8	12	-	
	2620 – 2690 MHz	40	48	-	
	2690 – 2900 MHz	40	47	-	
	2900 – 3800 MHz	30	37	-	
3800 – 5000 MHz	13	17	-		
5000 – 6000 MHz	-	4	-		
Source/Load Impedance ⁽⁷⁾	Single ended	-	50	-	Ohms

Notes:

- All specifications are based on the TriQuint schematic for the main reference design.
- Production test is performed at room temp. to a guard-banded specification to ensure electrical compliance over temperature.
- Electrical margin has been built into the design to account for variation due to temperature drift and manufacturing tolerances.
- Typical values are based on average measurements at room temperature of 25°C.
- This is defined as the difference between the maximum and minimum insertion loss within the specified band.
- This is defined as the worst case difference between a peak and adjacent valley within defined frequency points.
- This is the optimum impedance in order to achieve the performance shown.

TQQ7307-PCB Evaluation Board



Bill of Material – TQQ7307-PCB

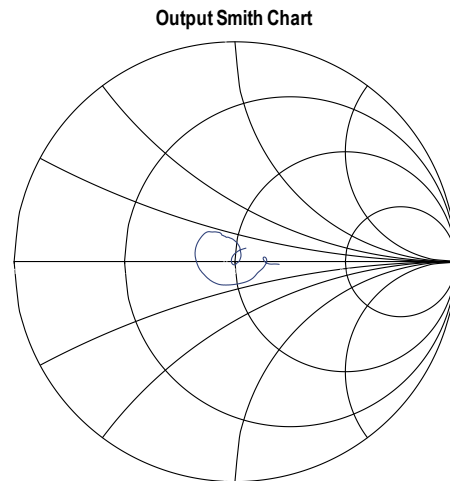
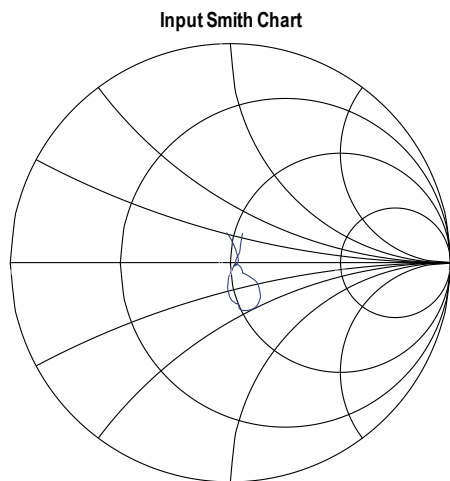
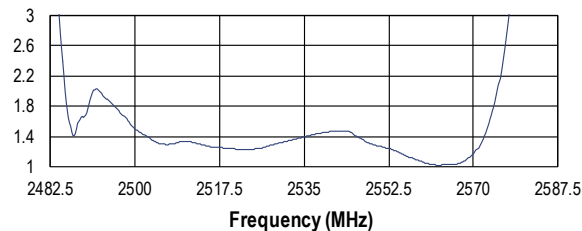
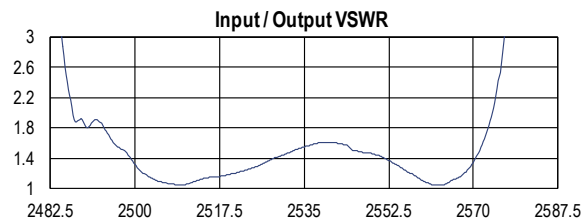
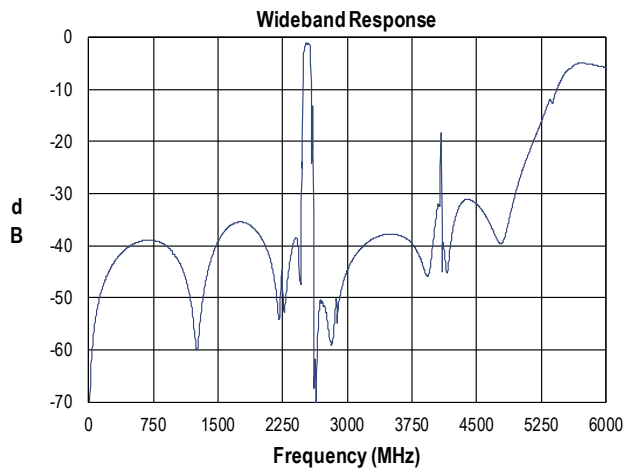
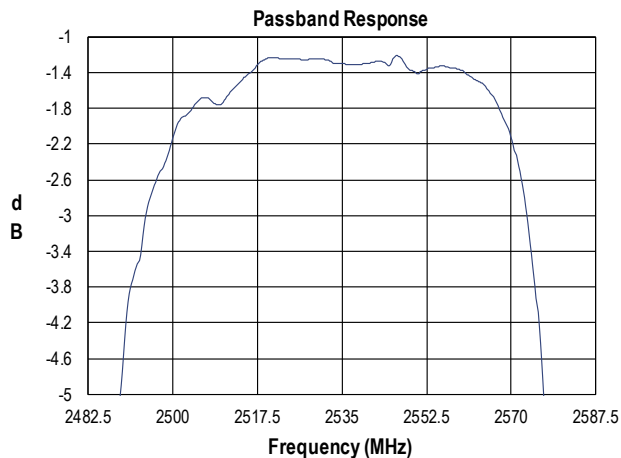
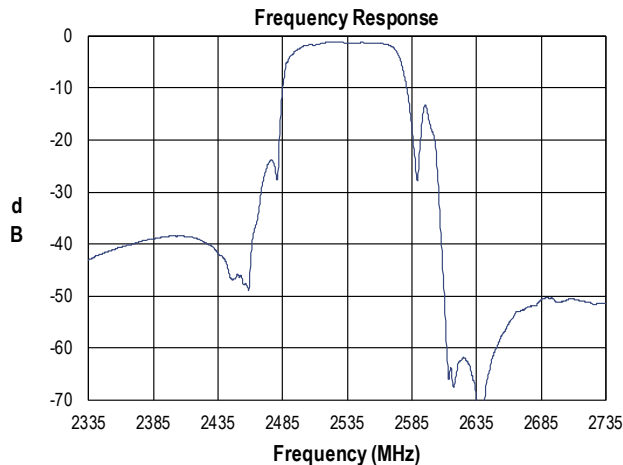
Reference Des.	Value	Description	Manuf.	Part Number
U1	n/a	2535 MHz BAW Filter	TriQuint	TQQ7307
n/a	n/a	Printed Circuit Board	TriQuint	960700
n/a	n/a	SMA Edge Connector	Radiall	9602-1111-018

Evaluation Board PCB Information

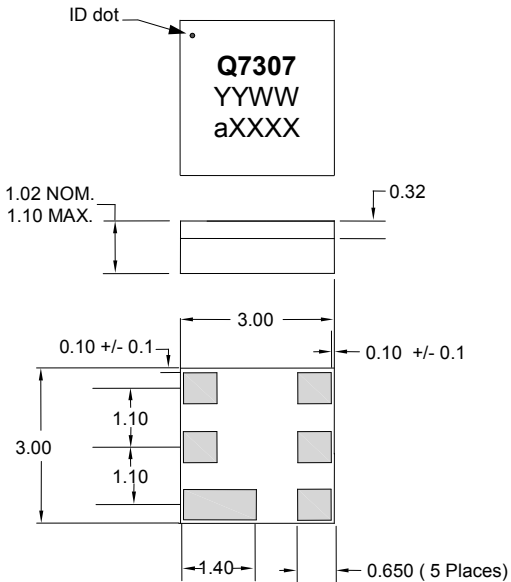
Top, middle & bottom layers: 1 oz copper
 Substrates: FR4 dielectric, .031" thick
 Finish plating: Nickel: 3-8μm thick, Gold: .03-.2μm thick
 Hole plating: Copper min .0008μm thick

Performance Plots

Test conditions unless otherwise noted: Temp= +25°C



Package Material, Marking and Dimensions



Package Style: 6-pin 3x3 leadless SMT
 Dimensions: 3.00 x 3.00 x 1.02 mm

4 layer laminate based over-molded module

Contact plating : ENIG (Electroless Nickel Immersion Gold)
 Terminations: Au plating 0.5 - 1.0µm, over a 2-6µm Ni plating

All dimensions shown are nominal in millimeters
 All tolerances are ±0.15mm except overall length and width ±0.10mm

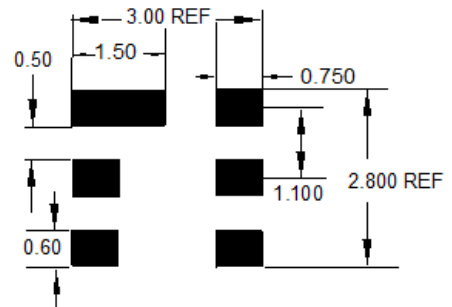
Package Marking:

Part Number: Q7307
 Year/Week: YYWW
 Assembly Code: aXXXX

PCB Mounting Pattern

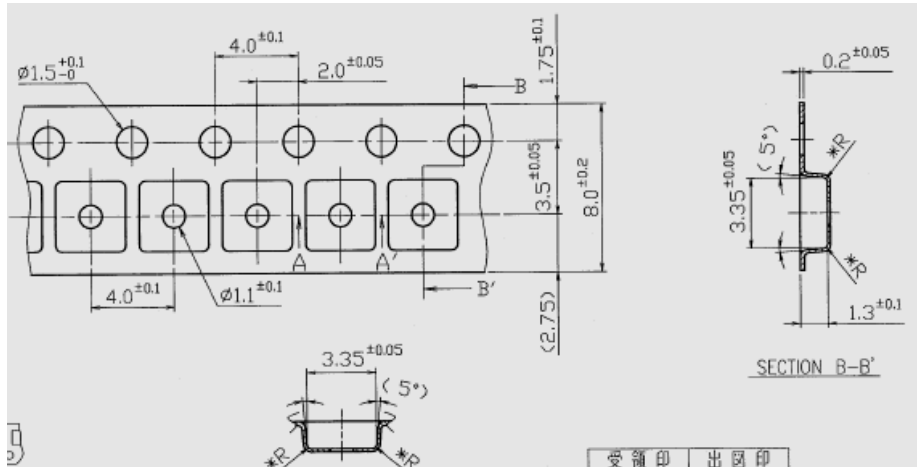
Notes:

1. All dimensions are in millimeters. Angles are in degrees.
2. Use 1 oz. copper minimum for top and bottom layer metal.

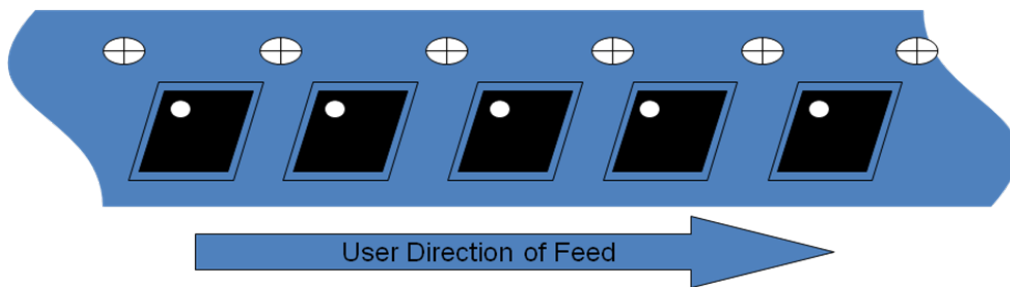


Tape and Reel Information – Carrier and Cover Tape Dimensions

Tape and reel specifications for this part are also available on the TriQuint website.
Standard T/R size = 2500 pieces on a 7” reel.

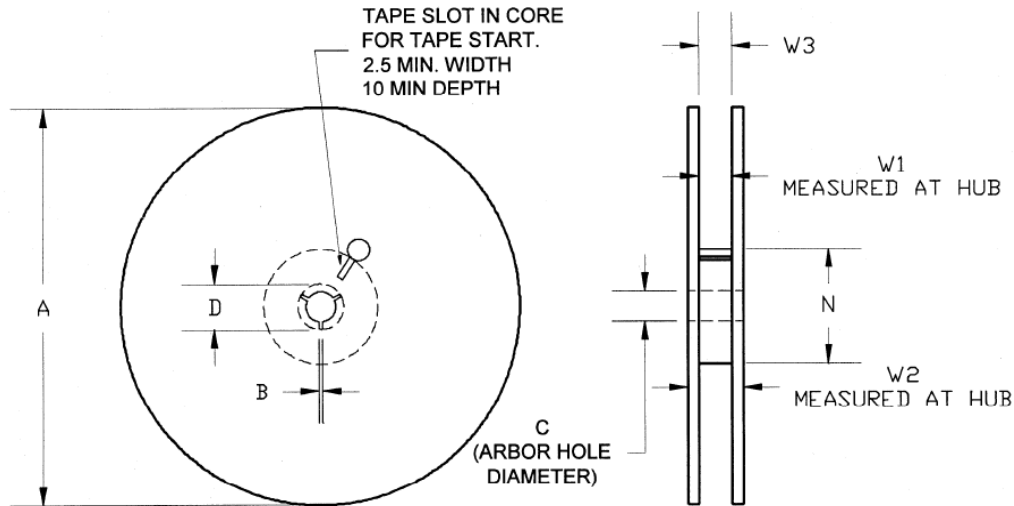


Feature	Measure	Symbol	Size (in)	Size (mm)
Cavity	Length	A0	0.132	3.35
	Width	B0	0.132	3.35
	Depth	K0	0.055	1.40
	Pitch	P1	0.157	4.00
Centerline Distance	Cavity to Perforation - Length Direction	P2	0.079	2.00
	Cavity to Perforation - Width Direction	F	0.138	3.50
Cover Tape	Width	C	0.213	5.40
Carrier Tape	Width	W	0.315	8.00



Tape and Reel Information – Reel Dimensions

Tape and reel specifications for this part are also available on the TriQuint website.
 Standard T/R size = 2,500 pieces on a 7" reel.



Feature	Measure	Symbol	Size (in)	Size (mm)
Flange	Diameter	A	6.969	177.0
	Thickness	W2	0.559	14.2
	Space Between Flange	W1	0.346	8.8
Hub	Outer Diameter	N	2.283	58.0
	Arbor Hole Diameter	C	0.512	13.0
	Key Slit Width	B	0.079	2.0
	Key Slit Diameter	D	0.787	20.0

Product Compliance Information

ESD Sensitivity Ratings



Caution! ESD-Sensitive Device

ESD Rating: Class 1B
Value: Passes $\geq 500V$ to $< 1000V$
Test: Human Body Model (HBM)
Standard: JEDEC Standard JESD22-A114

ESD Rating: Class B
Value: Passes $\geq 200V$ to $< 400V$
Test: Machine Model (MM)
Standard: JEDEC Standard JESD22-A115

MSL Rating

MSL Rating: Level 3
Test: $260^{\circ}C$ convection reflow
Standard: JEDEC Standard IPC/JEDEC J-STD-020

Solderability

Compatible with both lead-free ($260^{\circ}C$ maximum reflow temperature) and tin/lead ($245^{\circ}C$ maximum reflow temperature) soldering processes.

Contact plating: ENIG (Electroless Nickel Immersion Gold)

RoHS Compliance

This part is compliant with EU 2002/95/EC RoHS directive (Restrictions on the Use of Certain Hazardous Substances in Electrical and Electronic Equipment).

This product also has the following attributes:

- Lead Free
- Halogen Free (Chlorine, Bromine)
- Antimony Free
- TBBP-A ($C_{15}H_{12}Br_4O_2$) Free
- PFOS Free
- SVHC Free

Contact Information

For the latest specifications, additional product information, worldwide sales and distribution locations, and information about TriQuint:

Web: www.triquint.com

Tel: +1.407.886.8860

Email: info-sales@triquint.com

Fax: +1.407.886.7061

For technical questions and application information:

Email: flapplication.engineering@triquint.com

Important Notice

The information contained herein is believed to be reliable. TriQuint makes no warranties regarding the information contained herein. TriQuint assumes no responsibility or liability whatsoever for any of the information contained herein. TriQuint assumes no responsibility or liability whatsoever for the use of the information contained herein. The information contained herein is provided "AS IS, WHERE IS" and with all faults, and the entire risk associated with such information is entirely with the user. All information contained herein is subject to change without notice. Customers should obtain and verify the latest relevant information before placing orders for TriQuint products. The information contained herein or any use of such information does not grant, explicitly or implicitly, to any party any patent rights, licenses, or any other intellectual property rights, whether with regard to such information itself or anything described by such information.

TriQuint products are not warranted or authorized for use as critical components in medical, life-saving, or life-sustaining applications, or other applications where a failure would reasonably be expected to cause severe personal injury or death.

Mouser Electronics

Authorized Distributor

Click to View Pricing, Inventory, Delivery & Lifecycle Information:

[TriQuint:](#)

[TQQ7307](#)