

Product Description

Qorvo's TGS4302 is a GaAs Single Pole, Double Throw (SPDT) PIN monolithic switch designed to operate over the Ka-Band frequency range.

This switch maintains a low insertion loss with high power handling of 33 dBm or greater input P_{1dB} at V_C = 7.5V.

These advantages, along with small size of the chip, make the TGS4302 ideal for use in communication and transmit/receive applications.

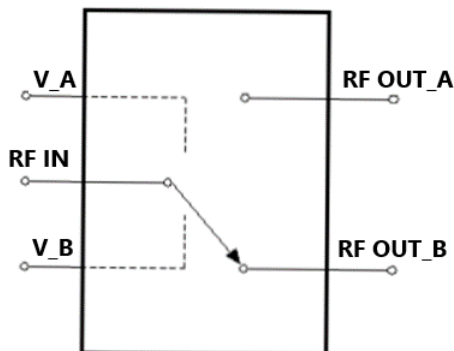


Product Features

- Frequency Range: 27 - 46 GHz
- Insertion Loss: < 0.9 dB Typical
- Input P_{1dB}: >33 dBm @ V_C = 7.5V
- Switching Speed: < 4ns
- On-Chip Biasing Resistors
- DC Blocked at RF ports
- VPIN Technology
- Die Dimensions: 1.10 x 1.10 x 0.10 mm

Performance is typical across frequency. Please reference electrical specification table and data plots for more details.

Block Diagram



Applications

- Ka-Band Transmit / Receive
- Point-to-Point Radio
- Point-to-Multipoint Radio

Ordering Information

Part No.	Description
TGS4302	27 - 46 GHz High Power Switch



Absolute Maximum Ratings

Parameter	Value
Control Voltage	-5 to +25 V
Control Current	22.5 mA
RF Input Power ⁽¹⁾ , CW, 50 Ω, T = 25°C	37 dBm
Mounting Temperature (30 sec)	320 °C
Storage Temperature	-65 to 150

Operation of this device outside the parameter ranges given above may cause permanent damage. These are stress ratings only, and functional operation of the device at these conditions is not implied.

Notes: ⁽¹⁾ Operation above 30 dBm requires control voltage above +5V.

Recommended Operating Conditions

Parameter	Min	Typ.	Max	Units
Frequency	27		46	GHz
Control Voltage (V _A /V _B)		+5/-5		V
Control Current (I _A /I _B)		0/20		mA

Electrical specifications are measured at specified test conditions. Specifications are not guaranteed over all recommended operating conditions.

DC Probe Test

Test conditions unless otherwise noted: Temp= +25 °C

Symbol	Min	Max	Units
R _{FWD}	3.5	6	Ω
V _{REV}	-60	-30	V

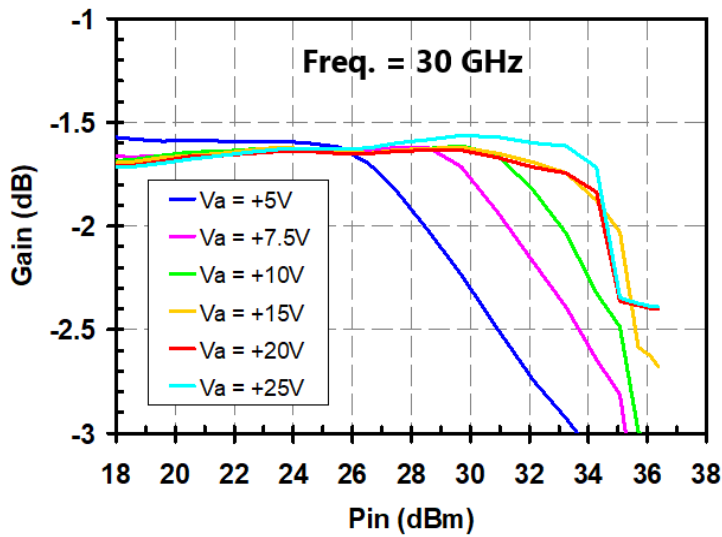
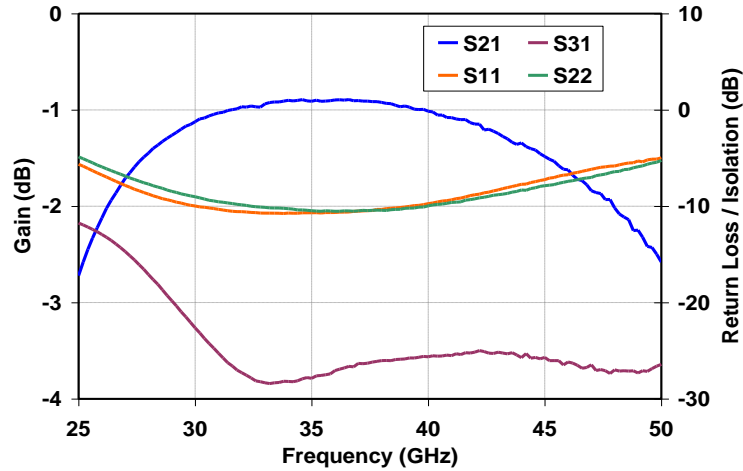
Electrical Specifications

Test conditions unless otherwise noted: Temp= +25 °C, Bias Conditions: V_A = 5 V, I_A = 0 mA, V_B = -5 V, I_B = 20 mA

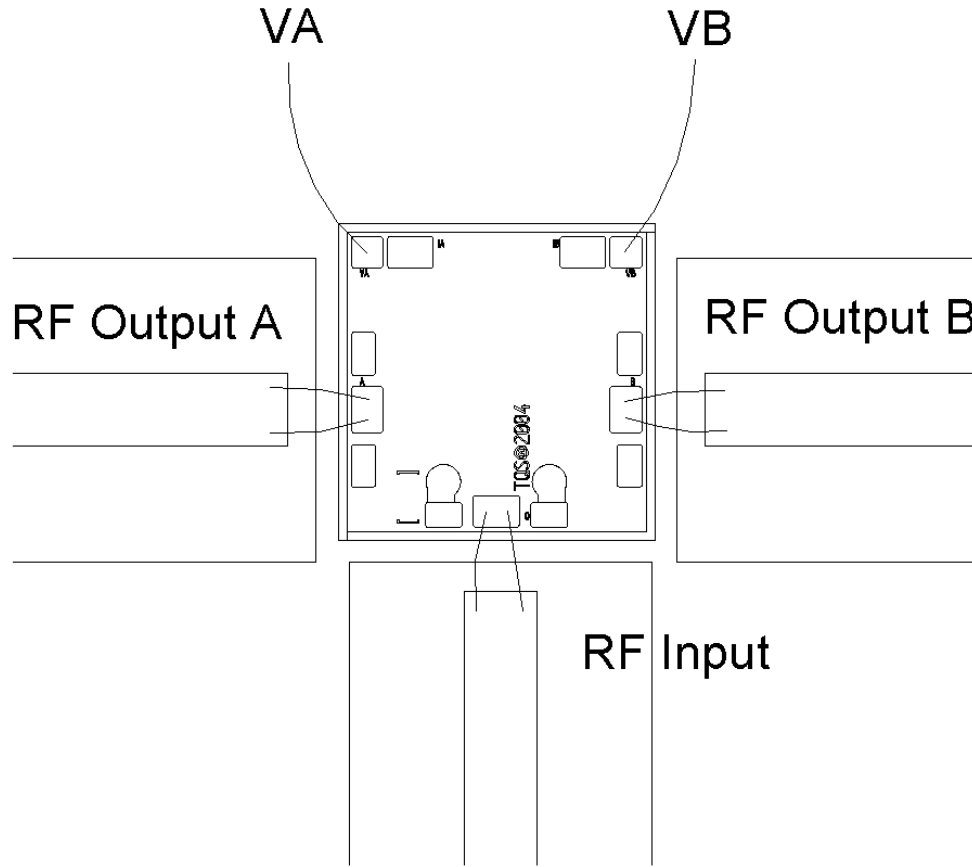
Parameter	Conditions	Min	Typical	Max	Units
Operational Frequency Range		27		46	GHz
Insertion Loss	Freq. = 27 to 30 GHz		1.3		dB
	Freq. = 30 to 40 GHz		0.9		
	Freq. = 40 to 46 GHz		1.3		
Return Loss – Common Port RL	Freq. = 27 to 46 GHz		10		dB
Output Power @ P _{1dB} (Freq. = 30 GHz)	V _C = +5 V		31		dBm
	V _C = +7.5 V		33		
	V _C = +10 V		35		
	V _C = +15 V		36		

Performance Plots –

Test conditions unless otherwise noted: Temp= +25 °C, Bias Conditions: $V_A = 5\text{ V}$, $I_A = 0\text{ mA}$, $V_B = -5\text{ V}$, $I_B = 20\text{ mA}$



Assembly Drawing



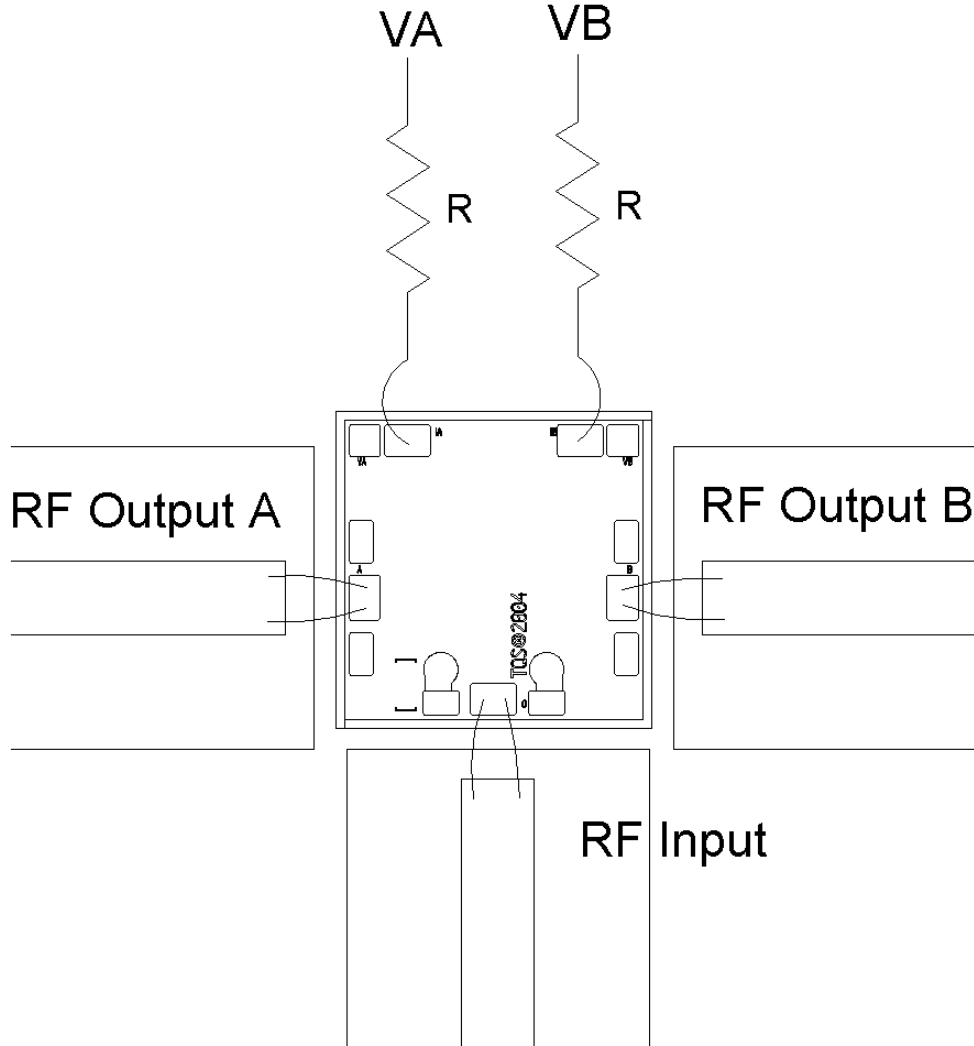
True Table

State	V _A	V _B
RF Out A	≥ +5 V @ ~0 mA	-5 V @ 20 mA
RF Out B	-5 V @ 20 mA	≥ +5 V @ ~0 mA

Operation at RF power levels >30 dBm requires increasing the positive voltage level to put a larger reverse bias on the diodes while the negative voltage level remains at -5 V with a current of approximately 20mA.

Bond pads IA and IB bypass (Alternate Assembly on next page) the on-chip series resistors to allow adjustment of the current to the diodes in their forward biased state.

Alternate Assembly Drawing

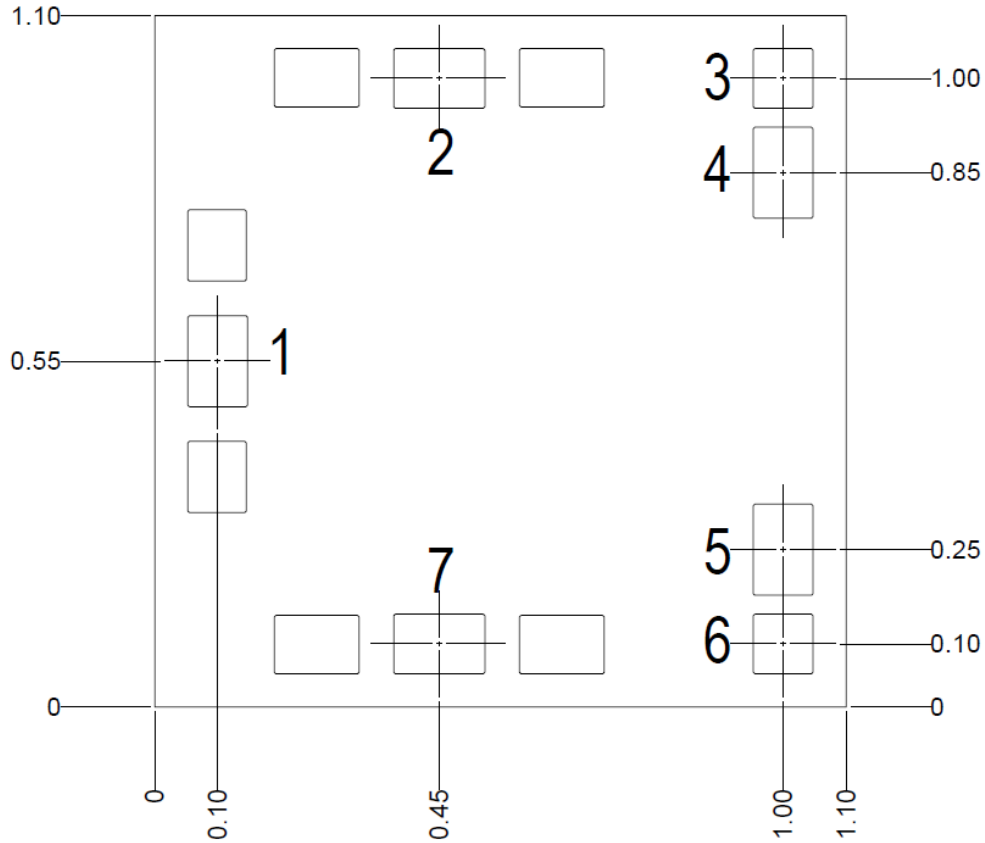


Notes: Refer to Bias Resistor Values Table for values of R vs. Control Voltage.

Bias Resistor Values

Maximum Negative Bias Voltage	R
-5 V	190 Ω
-7.5 V	315 Ω
-10 V	440 Ω
-15 V	690 Ω
-20 V	940 Ω

Mechanical Drawing and Bond Pad Description



Pin No.	Symbol	Description	Pad Size (mm)
1	RF In	Input, RF common port; matched to 50 Ω; DC blocked.	0.095 x 0.145
2	RF Out A	Output A, RF switched port A; matched to 50 Ω; DC blocked.	0.145 x 0.095
3	VA	Control voltage A.	0.095 x 0.095
4	IA	Control current A.	0.095 x 0.145
5	IB	Control current B.	0.095 x 0.145
6	VB	Control voltage A.	0.095 x 0.095
7	RF Out B	Output B, RF switched port B; matched to 50 Ω; DC blocked.	0.145 x 0.095

Assembly Notes

Component placement and adhesive attachment assembly notes:

- Vacuum pencils and/or vacuum collets are the preferred method of pick up.
- Air bridges must be avoided during placement.
- The force impact is critical during auto placement.
- Organic attachment (i.e., conductive epoxy) can be used in low-power applications.
- Curing should be done in a convection oven; proper exhaust is a safety concern.

Reflow process assembly notes:

- Use AuSn (80/20) solder and limit exposure to temperatures above 300 °C to 3–4 minutes, maximum.
- An alloy station or conveyor furnace with reducing atmosphere should be used.
- Do not use any kind of flux.
- Coefficient of thermal expansion matching is critical for long-term reliability.
- Devices must be stored in a dry nitrogen atmosphere.

Interconnect process assembly notes:

- Thermosonic ball bonding is the preferred interconnect technique.
- Force, time, and ultrasonic are critical parameters.
- Aluminum wire should not be used.
- Devices with small pad sizes should be bonded with 0.0007-inch wire.

Handling Precautions

Parameter	Rating	Standard	 Caution! ESD-Sensitive Device
ESD – Human Body Model (HBM)	1A	ESDA / JEDEC JS-001	

Solderability

Use only AuSn (80/20) solder and limit exposure to temperatures above 300 °C to 3-4 minutes, maximum.

RoHS Compliance

This product is compliant with the 2011/65/EU RoHS directive (Restrictions on the Use of Certain Hazardous Substances in Electrical and Electronic Equipment), as amended by Directive 2015/863/EU. This product also has the following attributes:

- Lead Free
- Halogen Free (Chlorine, Bromine)
- Antimony Free
- TBBP-A (C₁₅H₁₂Br₄O₂) Free
- PFOS Free
- SVHC Free

Contact Information

For the latest specifications, additional product information, worldwide sales and distribution locations:

Web: www.qorvo.com

Tel: 1-844-890-8163

Email: customer.support@qorvo.com

Important Notice

The information contained herein is believed to be reliable; however, Qorvo makes no warranties regarding the information contained herein and assumes no responsibility or liability whatsoever for the use of the information contained herein. All information contained herein is subject to change without notice. Customers should obtain and verify the latest relevant information before placing orders for Qorvo products. The information contained herein, or any use of such information does not grant, explicitly or implicitly, to any party any patent rights, licenses, or any other intellectual property rights, whether with regard to such information itself or anything described by such information. **THIS INFORMATION DOES NOT CONSTITUTE A WARRANTY WITH RESPECT TO THE PRODUCTS DESCRIBED HEREIN, AND QORVO HEREBY DISCLAIMS ANY AND ALL WARRANTIES WITH RESPECT TO SUCH PRODUCTS WHETHER EXPRESS OR IMPLIED BY LAW, COURSE OF DEALING, COURSE OF PERFORMANCE, USAGE OF TRADE OR OTHERWISE, INCLUDING THE IMPLIED WARRANTIES OF MERCHANTABILITY AND FITNESS FOR A PARTICULAR PURPOSE.**

Without limiting the generality of the foregoing, Qorvo products are not warranted or authorized for use as critical components in medical, lifesaving, or life-sustaining applications, or other applications where a failure would reasonably be expected to cause severe personal injury or death.

Copyright 2021 © Qorvo, Inc. | Qorvo is a registered trademark of Qorvo, Inc.

Mouser Electronics

Authorized Distributor

Click to View Pricing, Inventory, Delivery & Lifecycle Information:

[Qorvo:](#)

[TGS4302](#)