



TGL2927-SM

2–4 GHz 200 Watt VPIN Limiter

Product Overview

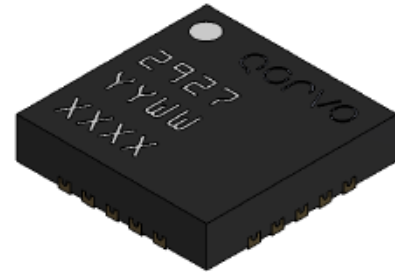
The Qorvo TGL2927-SM is a high-power receive protection circuit (limiter) operating from 2-4 GHz. Capable of withstanding up to 200 W incident power levels, the TGL2927-SM allows < 18 dBm flat leakage to pass through and contributes < 0.6dB in insertion loss.

Using Qorvo's passive GaAs VPIN technology, the TGL2927-SM does not require bias and is offered in a small 4 x 4 (mm) plastic overmold package. This simplifies system integration while maximizing performance and protection.

The TGL2927-SM is ideal for commercial and military radar applications where protecting sensitive receive components from damage is critical.

Lead-free and RoHS compliant.

Evaluation Boards available on request.

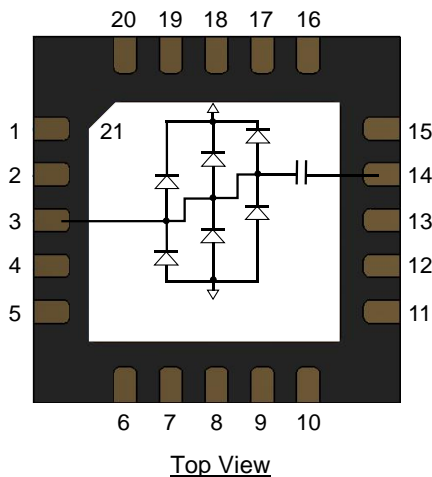


20 Pad 4 x 4 mm QFN Package

Key Features

- Frequency Range: 2 to 4 GHz
- Insertion Loss: < 0.6 dB
- Peak Power Handling: 200 W (pulsed)
- Flat Leakage: < 18 dBm
- Passive (no DC bias required)
- Integrated DC Block on output
- Package Dimensions: 4 x 4 x 0.85 mm

Functional Block Diagram



Applications

- Receive Chain Protection
- Commercial and Military Radar
- Communications
- Electronic Warfare

Ordering Information

Part	ECCN	Description
TGL2927-SM	EAR99	200W S-Band VPIN Limiter
TGL2927-SM_EVB	EAR99	200W S-Band VPIN Limiter Evaluation Board

Absolute Maximum Ratings

Parameter	Rating
Incident Power, Pulsed (500 us / 15%), 50 Ω, 25 °C	54.0 dBm
Incident Power, Pulsed (500 us / 15%), 50 Ω, 85 °C	50.5 dBm
Mounting Temperature (30 s max)	260 °C
Storage Temperature	-55 to 150 °C

Exceeding any one or a combination of the Absolute Maximum Rating conditions may cause permanent damage to the device. Extended application of Absolute Maximum Rating conditions to the device may reduce device reliability.

Recommended Operating Conditions

Parameter	Min	Typ	Max	Units
Passive – No Bias				

Electrical specifications are measured at specified test conditions. Specifications are not guaranteed over all recommended operating conditions.

Electrical Specifications ⁽¹⁾

Parameter	Conditions	Min	Typ	Max	Units
Operational Frequency Range		2		4	GHz
Insertion Loss	2.0 – 4.0 GHz		< 0.6		dB
Insertion Loss	4.0 – 4.5 GHz		< 0.9		dB
Input Return Loss			15		dB
Output Return Loss			15		dB
Flat Leakage Power at P _{IN} > 30 dBm			< 18		dBm
Insertion Loss Temperature Coefficient			0.001		dB/ °C

Notes:

- Test conditions unless otherwise noted: Temp = +25 °C, S-Parameters CW, Power Pulse Parameters: PW = 500 us, Duty Cycle = 15%

Thermal and Reliability Information

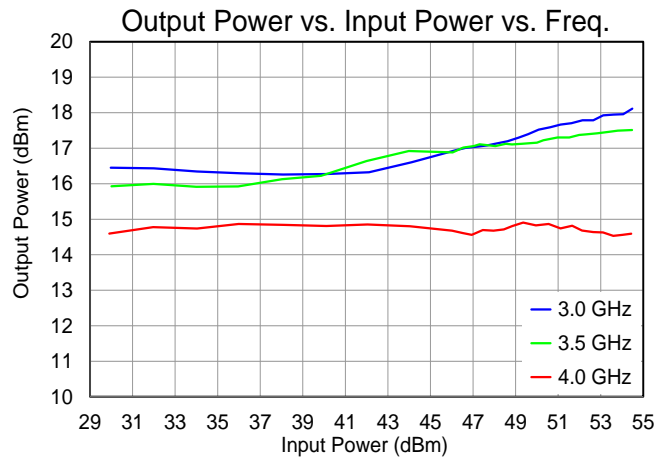
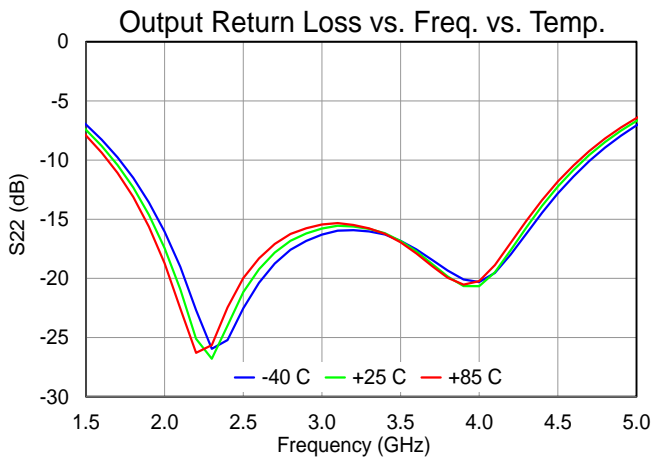
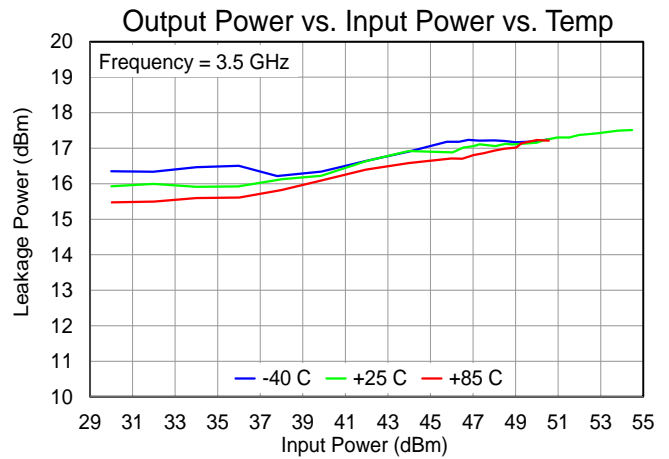
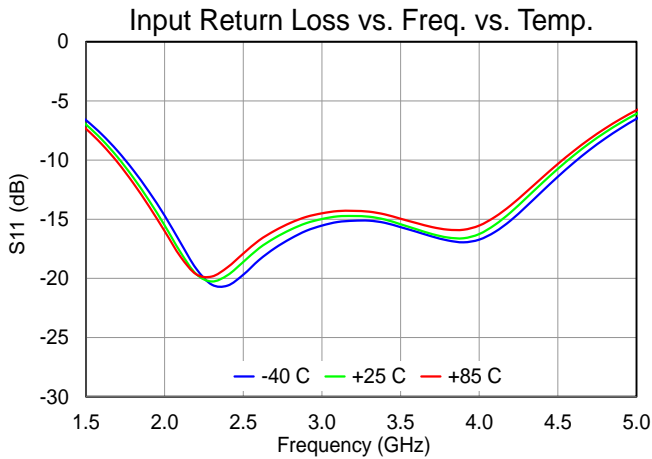
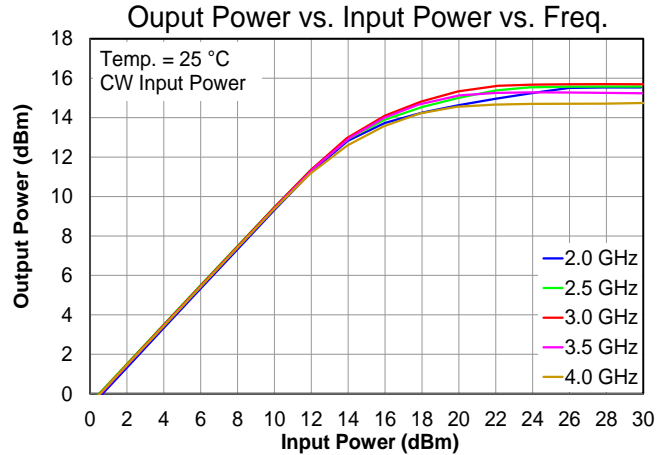
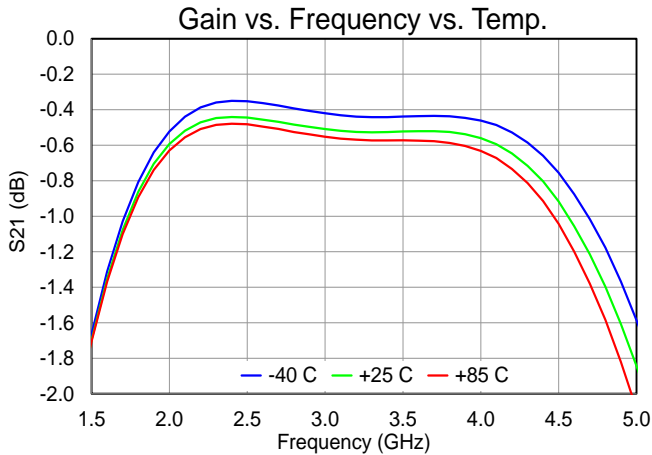
Parameter	Test Conditions	Value	Units
Incident Power (RF Operational Life Test 168 Hours ⁽¹⁾)	Frequency = 3.3 GHz, Pulsed, PW = 100 us, DC = 10%, 50Ω, 25 °C	200	W

Notes:

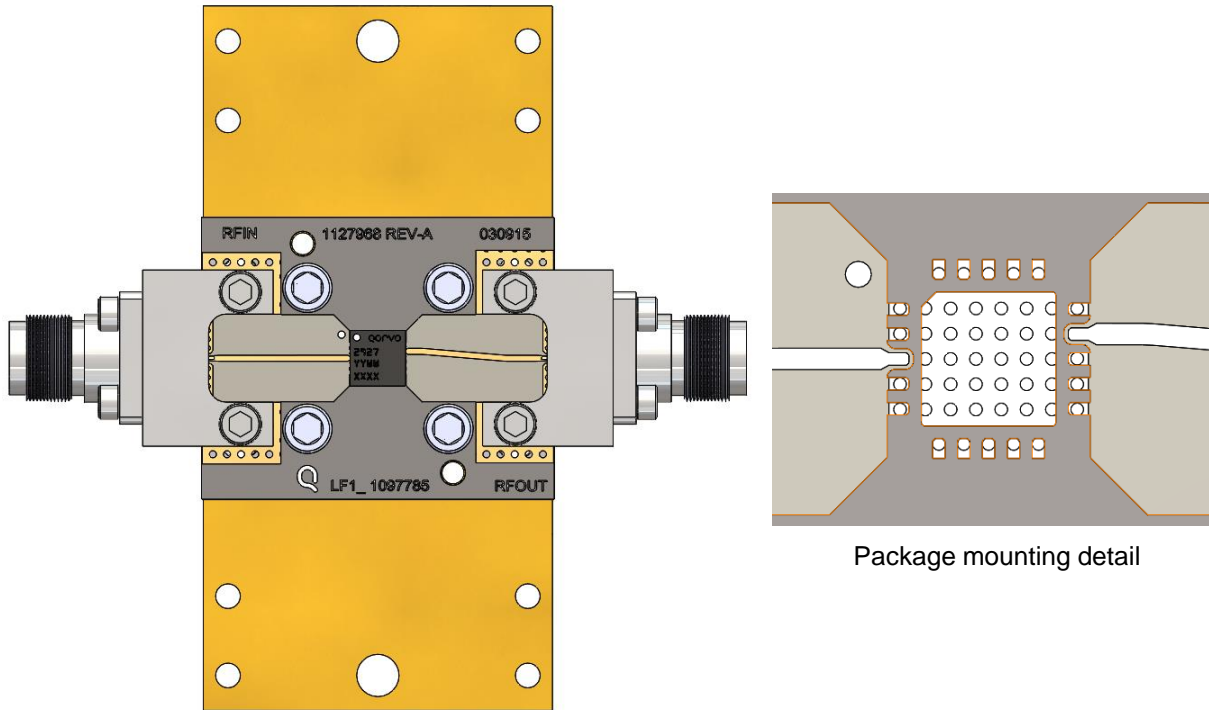
- Test was terminated at 168 hours. Insertion Loss remained ≤ 1 dB for device under test.

Performance Plots

Test conditions unless otherwise noted: 25 °C, S-Parameters CW, Power Pulse Parameters: PW = 500 us, Duty Cycle = 15%



Evaluation Board (EVB) and Mounting Detail



Package mounting detail

RF Layer is 0.010" thick Rogers Corp. RO4003C, $\epsilon_r = 3.38$. Metal layers are 0.5 oz. copper. The microstrip line at the connector interface is optimized for the Southwest Microwave end launch connector 1092-02A-5.

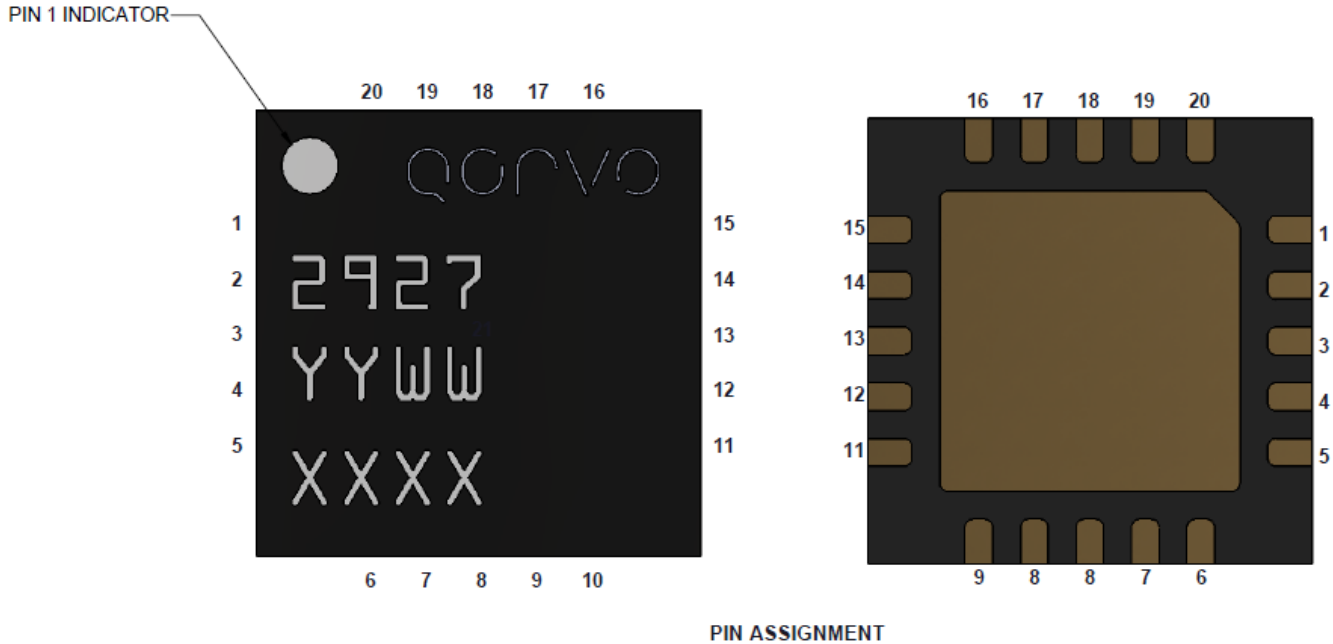
The trace pattern shown has been developed and tested for optimized assembly at Qorvo. The PCB land pattern has been developed to accommodate lead tolerances. Since processes vary from company to company, careful process development is recommended.

For pulsed applications, only. Increased pulse width and/or duty cycle results in lower power handling capability of the EVB.

Notes:

1. Ground / thermal vias under the DUT are critical for the proper performance of this device.
2. The EVB shown herein utilizes copper filled vias (10 mil diameter) under the DUT to maximize heat transfer away from the DUT under large signal conditions.
3. Thermal dissipation is low for normal non-limiting operation.

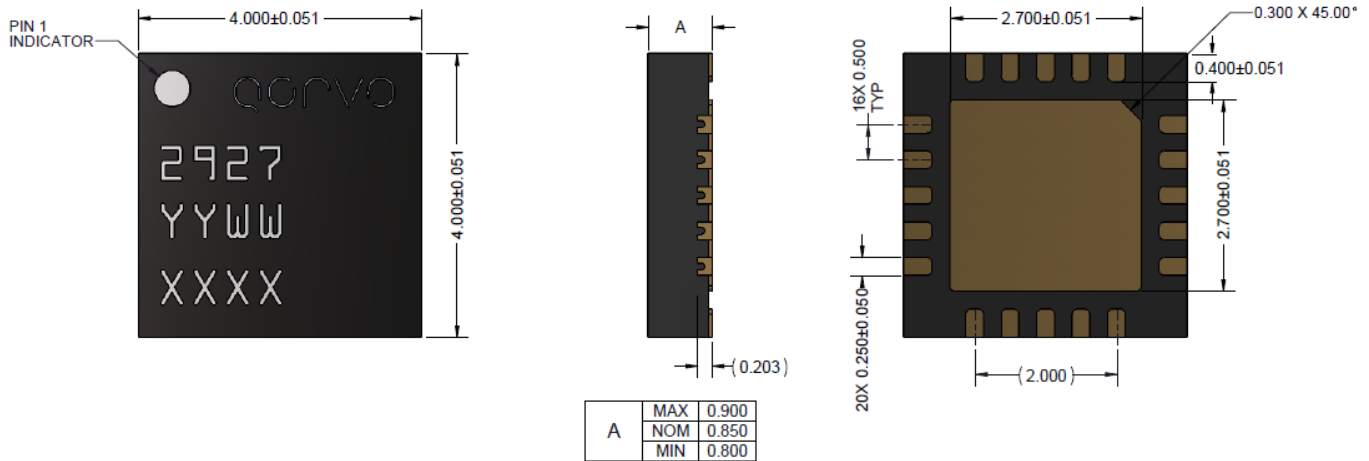
Pad Configuration and Description



Pad No.	Label	Description
1, 2, 4 - 13, 15 - 20	NC	No connection. Recommend connecting to ground at EVB level may improve performance
3	RF Input	RF Input, matched to 50 Ohms, DC coupled
14	RF Output	RF Input, matched to 50 Ohms, DC blocked
21	GND	On PCB, multiple copper-filled vias should be employed under the center pad to minimize inductance and thermal resistance

NOTE: The RF Input and RF Output ports are not interchangeable.

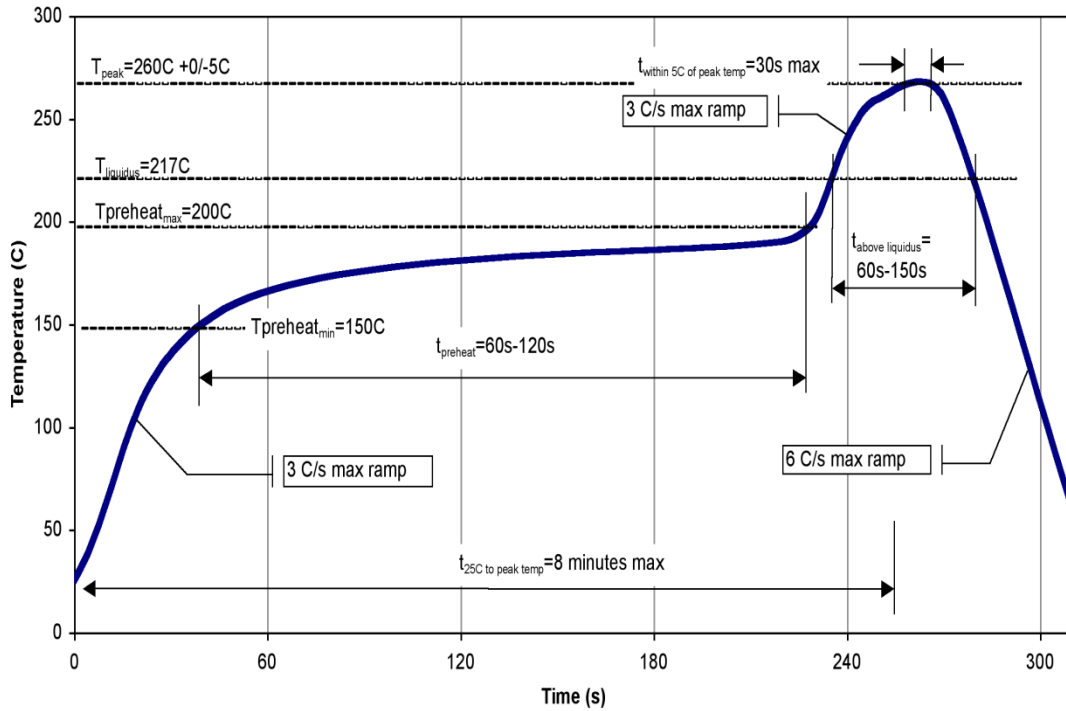
Package Marking and Dimensions



Notes:

1. All dimensions are in millimeters. Angles are in degrees.
2. Package Lead are Gold Plated
3. Part is Mold Encapsulated
4. Part Marking:
 2927: Part Number
 YY: Part Assembly Year
 WW: Part Assembly Week
 XXXX: Batch ID

Recommended Soldering Profile



Handling Precautions

Parameter	Rating	Standard
ESD – Human Body Model (HBM)	Class 1C	ESDA / JEDEC JS-001-2012
ESD – Charged Device Model (CDM)	Class C3	JEDEC JESD22-C101F
MSL – Moisture Sensitivity Level	Level 3	IPC/JEDEC J-STD-020



Caution!
ESD-Sensitive Device

Solderability

Compatible with both lead-free (260°C max. reflow temp.) and tin/lead (245°C max. reflow temp.) soldering processes.

RoHS Compliance

This part is compliant with 2011/65/EU RoHS directive (Restrictions on the Use of Certain Hazardous Substances in Electrical and Electronic Equipment) as amended by Directive 2015/863/EU.

This product also has the following attributes:

- Lead Free
- Halogen Free (Chlorine, Bromine)
- Antimony Free
- TBBP-A (C₁₅H₁₂Br₄O₂) Free
- PFOS Free
- SVHC Free



Contact Information

For the latest specifications, additional product information, worldwide sales and distribution locations:

Web: www.qorvo.com

Tel: 1-844-890-8163

Email: customer.support@qorvo.com

For technical questions and application information: **Email:** appsupport@qorvo.com

Important Notice

The information contained herein is believed to be reliable; however, Qorvo makes no warranties regarding the information contained herein and assumes no responsibility or liability whatsoever for the use of the information contained herein. All information contained herein is subject to change without notice. Customers should obtain and verify the latest relevant information before placing orders for Qorvo products. The information contained herein or any use of such information does not grant, explicitly or implicitly, to any party any patent rights, licenses, or any other intellectual property rights, whether with regard to such information itself or anything described by such information. **THIS INFORMATION DOES NOT CONSTITUTE A WARRANTY WITH RESPECT TO THE PRODUCTS DESCRIBED HEREIN, AND QORVO HEREBY DISCLAIMS ANY AND ALL WARRANTIES WITH RESPECT TO SUCH PRODUCTS WHETHER EXPRESS OR IMPLIED BY LAW, COURSE OF DEALING, COURSE OF PERFORMANCE, USAGE OF TRADE OR OTHERWISE, INCLUDING THE IMPLIED WARRANTIES OF MERCHANTABILITY AND FITNESS FOR A PARTICULAR PURPOSE.**

Without limiting the generality of the foregoing, Qorvo products are not warranted or authorized for use as critical components in medical, life-saving, or life-sustaining applications, or other applications where a failure would reasonably be expected to cause severe personal injury or death.

Copyright 2016 © Qorvo, Inc. | Qorvo is a registered trademark of Qorvo, Inc.

Mouser Electronics

Authorized Distributor

Click to View Pricing, Inventory, Delivery & Lifecycle Information:

[Qorvo:](#)

[TGL2927-SM](#)