

N-1X

Electrical Specifications (@25°C)

1. Maximum Power: 50 VA
2. Input Voltage: 230 V, 50 / 60 Hz
3. Output Voltage: 115V ± 5%
4. Full Secondary Load: 0.435 Amps RMS

Construction:

Single winding on a double wall, nylon bobbin. This chassis mount design comes in a channel frame with 0.187" x 0.295" diameter holes in the mounting ears.

Description:

Secondary coil is a fraction of the entire winding for voltage step-down. This causes part of the power to be transferred conductively through the windings, rather than all of the power being transferred by induction.

Safety:

These units are designed with 1500V isolation between the winding and the core. Materials and construction are rated for Class B insulation system.

UL: File E50476, UL 1446, Electrical Insulation System



E50476

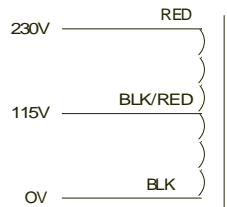
Dimensions: Unit: In inches

A	B	C	D
2.33	3.69	2.00	3.125 ± 0.030

Weight: 1.5 lbs

Connections: 7.0±1" leads, 0.250±0.062" Stripped & Tin

Schematic:

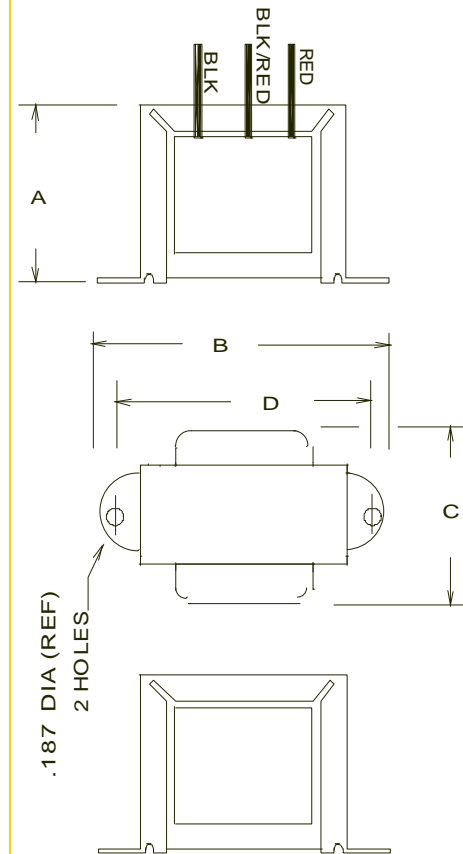
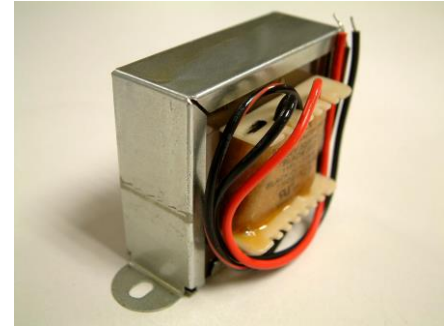


For 230V input: Blk to Red

For 115 output: Blk to Blk/Red

RoHS Compliance: As of manufacturing date February 2005, all standard products meet the requirements of 2011/65/EU, known as the RoHS initiative.

* Upon printing, this document is considered "uncontrolled". Please contact Triad Magnetics' website for the most current version.



Mouser Electronics

Authorized Distributor

Click to View Pricing, Inventory, Delivery & Lifecycle Information:

[Triad Magnetics:](#)

[N-1X](#)