

TC4W53FU

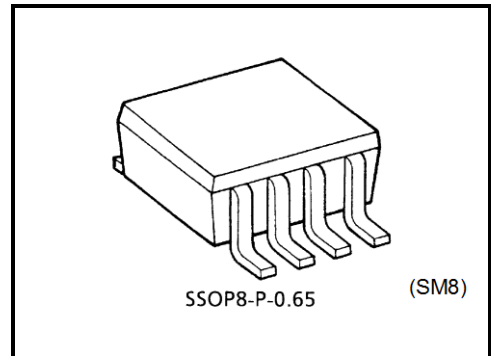
2-Channel Multiplexer, Demultiplexer

The TC4W53FU is multiplexer with capabilities of selection and mixture of analog signal and digital signal.

TC4W53FU has 2 channel configuration.

The digital signal to the control terminal turns “ON” the corresponding switch of each channel a large amplitude ($V_{DD} - V_{EE}$) can be switched by the control signal with small logical amplitude ($V_{DD} - V_{SS}$).

For example, in the case of $V_{DD} = 5\text{ V}$, $V_{SS} = 0\text{ V}$ and $V_{EE} = -5\text{ V}$, signals between -5 V and $+5\text{ V}$ can be switched from the logical circuit with a signal power supply of 5 V . As the ON-resistance of each switch is low, these can be connected to circuit with low input impedance.

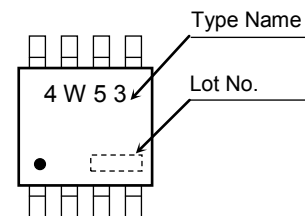


Weight
SSOP8-P-0.65: 0.02 g (typ.)

Absolute Maximum Ratings ($T_a = 25^\circ\text{C}$)

Characteristics	Symbol	Rating	Unit
Supply voltage range	$V_{DD}-V_{SS}$	-0.5 to 20	V
	$V_{DD}-V_{EE}$	-0.5 to 20	
Control input voltage	V_{CIN}	$V_{SS} - 0.5$ to $V_{DD} + 0.5$	V
Switch I/O voltage	$V_{I/O}$	$V_{EE} - 0.5$ to $V_{DD} + 0.5$	V
Control input current	I_{CIN}	± 10	mA
Potential difference across I/O during ON	V_{I-O}	-0.5 to 0.5	V
Power dissipation	P_D	300	mW
Operating temperature range	T_{opr}	-40 to 85	$^\circ\text{C}$
Storage temperature range	T_{stg}	-65 to 150	$^\circ\text{C}$
Lead temperature (10 s)	T_L	260	$^\circ\text{C}$

Marking



Note: Using continuously under heavy loads (e.g. the application of high temperature/current/voltage and the significant change in temperature, etc.) may cause this product to decrease in the reliability significantly even if the operating conditions (i.e. operating temperature/current/voltage, etc.) are within the absolute maximum ratings and the operating ranges.

Please design the appropriate reliability upon reviewing the Toshiba Semiconductor Reliability Handbook (“Handling Precautions”/“Derating Concept and Methods”) and individual reliability data (i.e. reliability test report and estimated failure rate, etc).

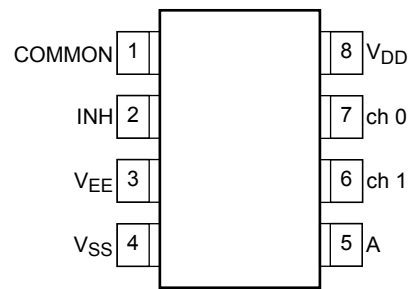
Start of commercial production
1990-05

Truth Table

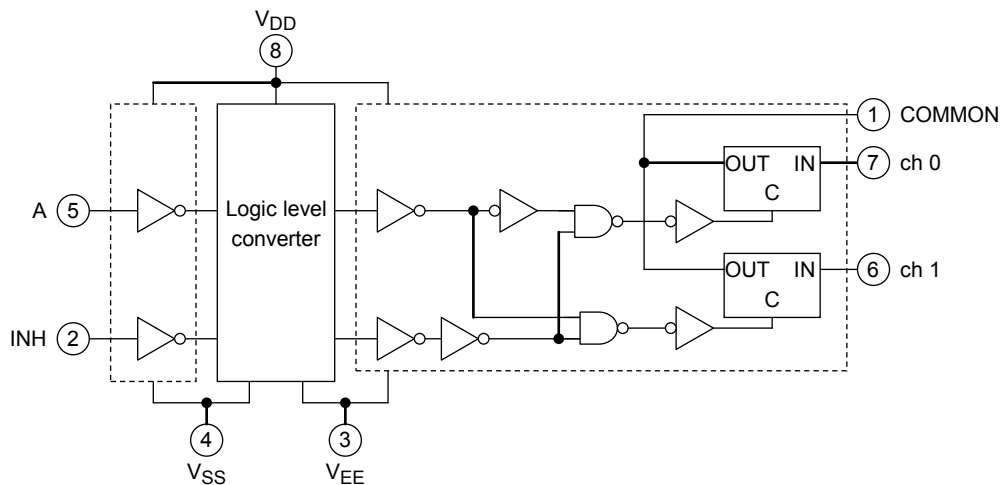
Control Input		On Channel
INH	A	
L	L	ch 0
L	H	ch 1
H	X	none

X: Don't care

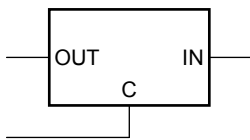
Pin Assignment (top view)



Logic Diagram



Truth Table



Control C	Impedance between IN/OUT
H	$0.5 \text{ to } 5 \times 10^2 \Omega$
L	$> 10^9 \Omega$

Operating Ranges

Characteristics	Symbol	Min.	Typ.	Max.	Unit
DC supply voltage	$V_{DD}-V_{SS}$	3	—	18	V
	$V_{DD}-V_{EE}$	3	—	18	
Control input voltage	V_{IN}	V_{SS}	—	V_{DD}	V
Switch input/output voltage	$V_{I/O}$	V_{EE}	—	V_{DD}	V

Static Electrical Characteristics

Characteristics	Symbol	Test Condition	V _{SS} (V)		V _{DD} (V)	Ta = -40°C		Ta = 25°C			Ta = 85°C		Unit
			V _{SS} (V)	V _{EE} (V)		Min	Max	Min	Typ.	Max	Min	Max	
Control input high voltage	V _{IH}	V _{IS} = V _{DD}	V _{EE} = V _{SS} R _L = 1 kΩ I _{LS} < 2 μA on all OFF channels		5	3.5	—	3.5	2.75	—	3.5	—	V
					10	7.0	—	7.0	5.50	—	7.0	—	
					15	11.0	—	11.0	8.25	—	11.0	—	
Control input low voltage	V _{IL}	thru 1 kΩ	V _{EE} = V _{SS} R _L = 1 kΩ I _{LS} < 2 μA on all OFF channels		5	—	1.5	—	2.25	1.5	—	1.5	
					10	—	3.0	—	4.5	3.0	—	3.0	
					15	—	4.0	—	6.75	4.0	—	4.0	
On-state resistance	R _{ON}	0 ≤ V _{IS} ≤ V _{DD} R _L = 10 kΩ	0	0	5	—	850	—	240	950	—	1200	Ω
			0	0	10	—	210	—	110	250	—	300	
			0	0	15	—	140	—	80	160	—	200	
ΔOn-state resistance (between any 2 switches)	ΔR _{ON}	—	0	0	5	—	—	—	10	—	—	—	Ω
			0	0	10	—	—	—	6	—	—	—	
			0	0	15	—	—	—	4	—	—	—	
Input/output leakage current	I _{OFF}	V _{IN} = 18 V, V _{OUT} = 0 V V _{IN} = 0 V, V _{OUT} = 18 V			18	—	±100	—	±0.01	±100	—	±1000	nA
					18	—	±100	—	±0.01	±100	—	±1000	
Quiescent device current	I _{DD}	V _{IN} = V _{SS} , V _{DD} (Note)			5	—	5.0	—	0.005	5.0	—	150	μA
					10	—	10	—	0.010	10	—	300	
					15	—	20	—	0.015	20	—	600	
Input current	I _{IN}	V _{IH} = 18 V, V _{IL} = 0 V			18	—	0.1	—	10 ⁻⁵	0.1	—	1.0	μA
					18	—	-0.1	—	-10 ⁻⁵	-0.1	—	-1.0	
Input capacitance	C _{IN}	—			—	—	—	—	5	7.5	—	—	pF
Switch Input Capacitance	C _{IN}	—			—	—	—	—	10	—	—	—	pF
Switch Output Capacitance	C _{OUT}	—			10	—	—	—	17	—	—	—	
Feed through capacitance	C _{IN-COUT}	—			10	—	—	—	0.2	—	—	—	pF

Note : All valid input combinations.

Dynamic Electrical Characteristics (Ta = 25°C, CL = 50 pF)

Characteristics	Symbol	Test Condition	Test Condition			Min	Typ.	Max	Unit
			VSS (V)	VEE (V)	VDD (V)				
Phase difference between input to output (switch IN-OUT)	φI-O	—	0	0	5	—	15	45	ns
			0	0	10	—	8	20	
			0	0	15	—	6	15	
Propagation delay time (A-OUT)	tpZL tpZH tpLZ tpHZ	RL = 1 kΩ	0	0	5	—	170	550	ns
			0	0	10	—	90	240	
			0	0	15	—	70	160	
			0	-5	5	—	100	240	
			0	-7.5	7.5	—	80	160	
Propagation delay time (INH-OUT)	tpZL tpZH	RL = 1 kΩ	0	0	5	—	120	380	ns
			0	0	10	—	60	200	
			0	0	15	—	50	160	
			0	-5	5	—	80	200	
			0	-7.5	7.5	—	60	160	
	tpLZ tpHZ	RL = 1 kΩ	0	0	5	—	170	450	ns
			0	0	10	—	90	210	
			0	0	15	—	70	160	
			0	-5	5	—	100	210	
			0	-7.5	7.5	—	80	160	
Frequency response	fMAX (I-O)	RL = 1 kΩ (Note 1)	-5	-5	5	—	40	—	MHz
Total harmonic distortion	—	RL = 10 kΩ f = 1 kHz (Note 2)	-2.5	-2.5	2.5	—	0.15	—	%
			-5	-5	5	—	0.03	—	
			-7.5	-7.5	7.5	—	0.02	—	
Feedthrough frequency (switch off)	—	RL = 1 kΩ (Note 3)	-5	-5	5	—	500	—	kHz
Crosstalk frequency	—	RL = 1 kΩ (Note 4)	-5	-5	5	—	1.5	—	MHz
Crosstalk (CONTROL-OUT)	—	RIN = 1 kΩ ROUT = 10 kΩ CL = 15 pF	0	0	5	—	200	—	mV
			0	0	10	—	400	—	
			0	0	15	—	600	—	

Note 1: Sine wave of $\pm 2.5 V_{p-p}$ shall be used for V_{IS} and the frequency of $20 \log_{10} \frac{V_{OS}}{V_{IS}} = -3dB$ shall be f_{MAX} .

Note 2: V_{IS} shall be sine wave of $\pm \left(\frac{V_{DD} - V_{EE}}{4} \right)_{p-p}$.

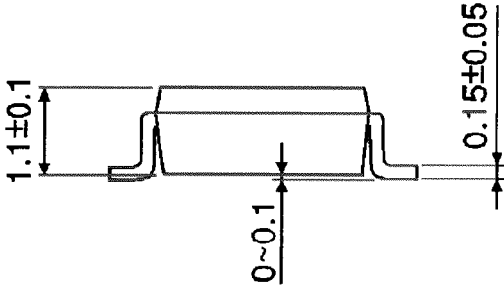
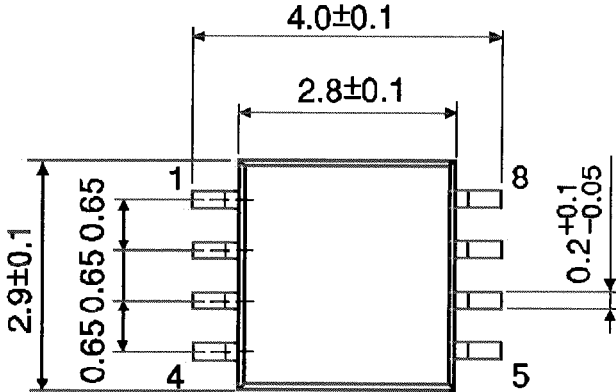
Note 3: Sine wave of $\pm 2.5 V_{p-p}$ shall be used for V_{IS} and the frequency of $20 \log_{10} \frac{V_{OS}}{V_{IS}} = -50dB$ shall be feed-through.

Note 4: Sine wave of $\pm 2.5 V_{p-p}$ shall be used for V_{IS} and the frequency of $20 \log_{10} \frac{V_{OS}}{V_{IS}} = -50dB$ shall be crosstalk.

Package Dimensions

SSOP8-P-0.65

Unit : mm



Weight: 0.02 g (typ.)

RESTRICTIONS ON PRODUCT USE

- Toshiba Corporation, and its subsidiaries and affiliates (collectively "TOSHIBA"), reserve the right to make changes to the information in this document, and related hardware, software and systems (collectively "Product") without notice.
- This document and any information herein may not be reproduced without prior written permission from TOSHIBA. Even with TOSHIBA's written permission, reproduction is permissible only if reproduction is without alteration/omission.
- Though TOSHIBA works continually to improve Product's quality and reliability, Product can malfunction or fail. Customers are responsible for complying with safety standards and for providing adequate designs and safeguards for their hardware, software and systems which minimize risk and avoid situations in which a malfunction or failure of Product could cause loss of human life, bodily injury or damage to property, including data loss or corruption. Before customers use the Product, create designs including the Product, or incorporate the Product into their own applications, customers must also refer to and comply with (a) the latest versions of all relevant TOSHIBA information, including without limitation, this document, the specifications, the data sheets and application notes for Product and the precautions and conditions set forth in the "TOSHIBA Semiconductor Reliability Handbook" and (b) the instructions for the application with which the Product will be used with or for. Customers are solely responsible for all aspects of their own product design or applications, including but not limited to (a) determining the appropriateness of the use of this Product in such design or applications; (b) evaluating and determining the applicability of any information contained in this document, or in charts, diagrams, programs, algorithms, sample application circuits, or any other referenced documents; and (c) validating all operating parameters for such designs and applications. **TOSHIBA ASSUMES NO LIABILITY FOR CUSTOMERS' PRODUCT DESIGN OR APPLICATIONS.**
- **PRODUCT IS NEITHER INTENDED NOR WARRANTED FOR USE IN EQUIPMENTS OR SYSTEMS THAT REQUIRE EXTRAORDINARILY HIGH LEVELS OF QUALITY AND/OR RELIABILITY, AND/OR A MALFUNCTION OR FAILURE OF WHICH MAY CAUSE LOSS OF HUMAN LIFE, BODILY INJURY, SERIOUS PROPERTY DAMAGE AND/OR SERIOUS PUBLIC IMPACT ("UNINTENDED USE").** Except for specific applications as expressly stated in this document, Unintended Use includes, without limitation, equipment used in nuclear facilities, equipment used in the aerospace industry, medical equipment, equipment used for automobiles, trains, ships and other transportation, traffic signaling equipment, equipment used to control combustions or explosions, safety devices, elevators and escalators, devices related to electric power, and equipment used in finance-related fields. **IF YOU USE PRODUCT FOR UNINTENDED USE, TOSHIBA ASSUMES NO LIABILITY FOR PRODUCT.** For details, please contact your TOSHIBA sales representative.
- Do not disassemble, analyze, reverse-engineer, alter, modify, translate or copy Product, whether in whole or in part.
- Product shall not be used for or incorporated into any products or systems whose manufacture, use, or sale is prohibited under any applicable laws or regulations.
- The information contained herein is presented only as guidance for Product use. No responsibility is assumed by TOSHIBA for any infringement of patents or any other intellectual property rights of third parties that may result from the use of Product. No license to any intellectual property right is granted by this document, whether express or implied, by estoppel or otherwise.
- **ABSENT A WRITTEN SIGNED AGREEMENT, EXCEPT AS PROVIDED IN THE RELEVANT TERMS AND CONDITIONS OF SALE FOR PRODUCT, AND TO THE MAXIMUM EXTENT ALLOWABLE BY LAW, TOSHIBA (1) ASSUMES NO LIABILITY WHATSOEVER, INCLUDING WITHOUT LIMITATION, INDIRECT, CONSEQUENTIAL, SPECIAL, OR INCIDENTAL DAMAGES OR LOSS, INCLUDING WITHOUT LIMITATION, LOSS OF PROFITS, LOSS OF OPPORTUNITIES, BUSINESS INTERRUPTION AND LOSS OF DATA, AND (2) DISCLAIMS ANY AND ALL EXPRESS OR IMPLIED WARRANTIES AND CONDITIONS RELATED TO SALE, USE OF PRODUCT, OR INFORMATION, INCLUDING WARRANTIES OR CONDITIONS OF MERCHANTABILITY, FITNESS FOR A PARTICULAR PURPOSE, ACCURACY OF INFORMATION, OR NONINFRINGEMENT.**
- Do not use or otherwise make available Product or related software or technology for any military purposes, including without limitation, for the design, development, use, stockpiling or manufacturing of nuclear, chemical, or biological weapons or missile technology products (mass destruction weapons). Product and related software and technology may be controlled under the applicable export laws and regulations including, without limitation, the Japanese Foreign Exchange and Foreign Trade Law and the U.S. Export Administration Regulations. Export and re-export of Product or related software or technology are strictly prohibited except in compliance with all applicable export laws and regulations.
- Please contact your TOSHIBA sales representative for details as to environmental matters such as the RoHS compatibility of Product. Please use Product in compliance with all applicable laws and regulations that regulate the inclusion or use of controlled substances, including without limitation, the EU RoHS Directive. **TOSHIBA ASSUMES NO LIABILITY FOR DAMAGES OR LOSSES OCCURRING AS A RESULT OF NONCOMPLIANCE WITH APPLICABLE LAWS AND REGULATIONS.**

Mouser Electronics

Authorized Distributor

Click to View Pricing, Inventory, Delivery & Lifecycle Information:

Toshiba:

[TC4W53FU,LF](#) [TC4W53FTE12LF](#)