

## 200-800W, 10 to 100V Programmable Power Supplies

<https://product.tdk.com/en/power/zplus>  
[www.emea.lambda.tdk.com/zplus](http://www.emea.lambda.tdk.com/zplus)



Suitable for bench or 2U rack mounting, the Z+ is a very compact programmable power supply offering power levels from 200 to 800W, voltages of up to 100V and currents of up to 72A. Multiple remote programming methods are available including built-in USB, RS232 & RS485 and optional LAN, GPIB & isolated analogue interfaces. The units can operate in either constant current or constant voltage mode and accept a wide 85-265Vac input. The product is backed with a five year warranty.

Features	Benefits
• 2U high	• Low Profile
• Built-in USB, RS-232 & RS-485 Interface	• No Additional Cost
• Optional LAN, GPIB & Isolated Analog Programming	• Programmable Remote Operation
• Bench or Rack Mount	• Flexible Mounting
• Constant Current or Voltage Modes	• Seamless Transition (Auto Crossover)
• Five Year Warranty	• Low Cost of Ownership

Model Selector								
Model (Note: Add appropriate suffix for the AC line cord)	Voltage Adjust Range (V)	Current Adjust Range (A)	Max Power (W)	Ripple 5Hz-1MHz (mV)	Noise 20MHz BW (mV)	Ripple 5Hz-1MHz (mA)	Efficiency (100-200Vac) (%)	Front Panel Output Jacks (Option)
Z10-20	0 - 10	0 - 20	200	5	50	25	80 / 82	Yes
Z10-40	0 - 10	0 - 40	400	5	50	70	80 / 82	Yes
Z10-60	0 - 10	0 - 60	600	5	50	150	80 / 82	Yes
Z10-72	0 - 10	0 - 72	720	5	50	180	80 / 82	Yes
Z20-10	0 - 20	0 - 10	200	6	50	15	82 / 84	Yes
Z20-20	0 - 20	0 - 20	400	6	50	40	81 / 83	Yes
Z20-30	0 - 20	0 - 30	600	5	50	75	82 / 84	Yes
Z20-40	0 - 20	0 - 40	800	5	50	100	82 / 84	Yes
Z36-6	0 - 36	0 - 6	216	6	50	8	83 / 85	Yes
Z36-12	0 - 36	0 - 12	432	6	50	15	83 / 85	Yes
Z36-18	0 - 36	0 - 18	648	5	50	25	84 / 85	Yes
Z36-24	0 - 36	0 - 24	864	5	50	31	84 / 85	Yes
Z60-3.5	0 - 60	0 - 3.5	210	7	50	4	83 / 85	Yes
Z60-7	0 - 60	0 - 7	420	7	50	8	83 / 85	Yes
Z60-10	0 - 60	0 - 10	600	12	50	8	83 / 85	Yes
Z60-14	0 - 60	0 - 14	840	12	60	28	83 / 85	Yes
Z100-2	0 - 100	0 - 2	200	8	80	3	83 / 85	No
Z100-4	0 - 100	0 - 4	400	8	80	3	84 / 86	No
Z100-6	0 - 100	0 - 6	600	15	80	5	84 / 86	No
Z100-8	0 - 100	0 - 8	800	15	80	12	84 / 86	No

### Part Number Example

<b>Z10</b>	-	<b>20</b>	-	<b>LAN</b>	-	<b>L</b>	-	<b>U</b>
Series & output voltage		Output current		blank USB, RS-232/RS-485 (All models) IEEE GPIB Interface** IS510 Voltage Programming Isolated Analog Interface** IS420 Current Programming Isolated Analog Interface** LAN LAN Interface (Complies with "LXI" Class C)		blank No front output jacks -L Output jacks* -L2 Output jacks* (insulated)		Blank AC Line cord U No AC cord supplied E North America cord J European cord I Japan cord I Middle East cord
								Plug Type - NEMA 5-15P CEE 7/VI JIS C8303 SI 32

\* Requires wide body case (105mm wide), limited to 24A maximum  
 \*\* Requires wide body case (105mm wide)

Notes: -U option line cord preferred in the Americas.  
 -E option supplied with unit in Europe

Related Products		
Type	Part Number	Description
Z+ High Voltage Series Datasheet	<a href="#">Z+ High Voltage</a>	Z+ 160V to 650V Programmable Power Supplies
19" Rack Housing	<a href="#">Z-NL100</a>	Accepts four 105mm width units or six 70mm width units
Dual/Triple Housing	<a href="#">Z-NL200</a>	Accepts two 105mm case units or three 70mm case units
Blanking Panel	<a href="#">Z-BP</a>	70mm Blanking Panel For 19" Rack
Blanking Panel	<a href="#">Z-WBP</a>	105mm Blanking Panel For 19" Rack
Cable	<a href="#">Z-RJ45</a>	Serial Link Cable (One is included with each power supply)
DB9 Cable	<a href="#">Z-485-9</a>	Communication Cable RS-485
DB9 Cable	<a href="#">Z-232-9</a>	Communication Cable RS-232

Specifications						
Model		Z10	Z20	Z36	Z60	Z100
<b>Input</b>						
Input Voltage Range (Operating)	Vac	85 - 265(1) (See derating chart for 800W models)				
Nominal Input Voltage Range	Vac	100 - 240 (Note: Safety certified for 90-264Vac)				
Input Frequency	Hz	47 - 63 (Note: Safety certified for 50/60Hz only)				
Input Current (100/200Vac)	A	200W: 2.76 / 1.37, 400W: 5.25 / 2.57, 600W: 10 / 4.9, 800W: 10.3 / 5.1				
Inrush Current at 200Vac (typ) (Cold Start)	A	200W: <30, 400W: <25, 600W: <25, 800W: <30				
Leakage Current (220Vac)	mA	<1.2				
Power Factor (100/200Vac)	-	>0.99 / 0.98				
Harmonic Compliance	-	Meets IEC61000-3-2 Class A				
Hold Up Time (typ)	ms	200W: 15, 400W: 15, 600W: 15, 800W: 10				
Efficiency	-	See Model Selector Table				
Conducted & Radiated EMI	-	IEC/EN61326-1, -B radiated, -A conducted, designed to meet EN55032/EN55024				
Immunity	-	See IEC61000 reports on website				
Insulation Class	-	Class I				
Safety Certifications and Markings	-	IEC/UL/CSA/EN61010-1,60950, CE Mark and UKCA Mark				
<b>Output</b>						
Output Voltage and Current Adjustment	-	See Model Selector Table				
Load Regulation (CV Mode)	mV / %	2mV + 0.01% of rated voltage over 0 - 100% load change				
Line Regulation (CV Mode)	mV / %	2mV + 0.01% of rated voltage over a 85 - 132 or 170 - 265Vac line change				
Transient Response Recovery Time <sup>(2)</sup>	ms	1				
Load Regulation (CC Mode)	mA / %	5mA + 0.01% of rated current over 0 - 100% Vout change				
Line Regulation (CC Mode)	mA / %	2mA + 0.01% of rated current over a 85 - 132 or 170 - 265Vac line change				
Ripple & Noise (CC or CV Mode)	-	See Model Selector Table				
Temperature Coefficient (CV Mode) <sup>(3)</sup>	ppm/°C	30 (following 30 minute warm up)				
Temperature Stability (CV Mode) <sup>(3)</sup>	%	0.02 of rated voltage over 8 hours following 30 minute warm up time				
Warm-up Drift (CV Mode) <sup>(3)</sup>	mV / %	<0.05% of rated voltage + 2mV of rated output voltage (after 30 min warm up period)				
Temperature Coefficient (CC Mode)	ppm/°C	100 (following 30 minute warm up)				
Temperature Stability (CC Mode) <sup>(3)</sup>	%	0.05 of rated current over 8 hours following 30 minute warm up time				
Load Regulation Thermal Drift (CC Mode) <sup>(3)</sup>	%	< 0.05 of rated current over 30 minutes after load change				
Warm-up Drift (CC Mode) <sup>(3)</sup>	%	±0.1 of rated output current over 30 minutes following power on				
Up Programming Resp Time (CV Mode) (10-90% or 90-10% of Vmax) <sup>(3)</sup>	ms	15	30	30	50	50
Down Programming Resp Time (CV Mode) Full Load (10-90% or 90-10% of Vmax) <sup>(3)</sup>	ms	12	25	30	40	50
Minimum Load	-	No minimum load required				
Overcurrent Protection	-	User programmable, can be set to foldback mode				
Overvoltage Protection	V	Shut down. User programmable				
Overtemperature Protection	-	User selectable - latched or non-latching				
Remote Sense Compensation (per wire)	V	1	1	2	3	5
Remote On/Off	-	By applied voltage or dry contact relay (user selectable logic)				
DC Good	-	Open Collector, Low on fail				
Communication	-	RS232, RS485 & USB standard, IEEE488 (GPIB) & LAN optional				
Indicators	-	Green LEDs: FINE, MENU, PREV, PROT, REM, OUTPUT, CV, CC Red LED: PROT (OVP, UVP, OTP, FOLD, AC FAIL).				
Display	-	4 digits. Accuracy 0.5% of rated voltage or current ±1 count				
Parallel Operation	-	Up to 6 units				

Specifications			Z10	Z20	Z36	Z60	Z100
<b>Environmental</b>							
Operating Temperature	°C		0 - 50, full load				
Storage Temperature	°C		-20 to +85				
Humidity (Non condensing)	%RH		20 - 90 operating, 10 - 95 storage				
Cooling	-		Internal fan				
Altitude	m		3000. Derate ambient temperature above 2000.				
Withstand Voltage (For 1 minute)	Vac / Vdc		Input to Ground 2kVac, Input to Output 3kVac. Output to Ground Z10V to Z36: 707Vdc, Z60 to Z100: 1380Vdc				
Isolation Resistance	MΩ		>100 at 25°C, 70%RH & 500Vdc				
Vibration (Non operating)	-		IEC60068-2-64				
Shock (Unpacked)	-		IEC60068-2-27: 20G half sine wave, for a duration of 11ms				

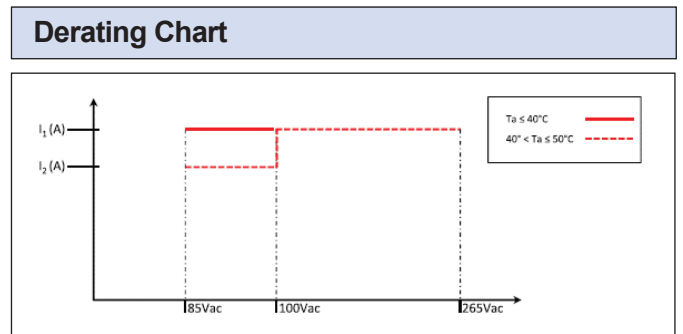
Specifications			200W	400W	600W	800W
<b>Other</b>						
Weight (Typ)	g		Standard body 1,900; Wide Body 2,400			
Size (WxHxD)	mm		Standard body: 70 x 83 x 350; Wide Body 105 x 83 x 350			
Size (WxHxD)	Inches		Standard body: 2.76 x 3.27 x 13.78; Wide Body 4.13 x 3.27 x 13.78			
Connectors	-		See outline drawings			
Case Material	-		Metal case, plastic front panel			
MTBF - MIL HDBK-217F <sup>(4)</sup>	Hours		78,778	78,569	72,221	72,221
Warranty	Years		5			

**Notes**

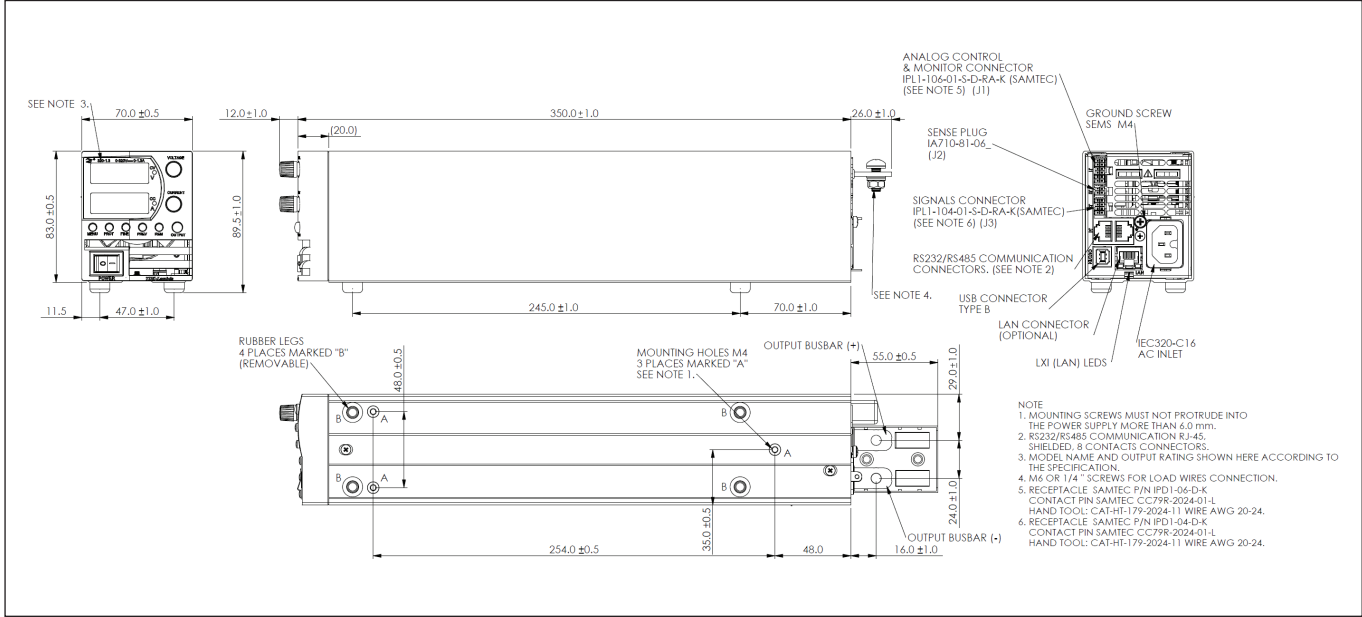
See website for detailed specifications, test methods and installation manual

- (1) See input voltage derating for 800W models
- (2) Recovery to within 0.5% of rated voltage after a load change of 10-90% (Output current 10-100% of I<sub>max</sub>)
- (3) [200W models. See specification on website for 400, 600 & 800W models](#)
- (4) Ground, Fixed. Excludes fan. See reliability data on website

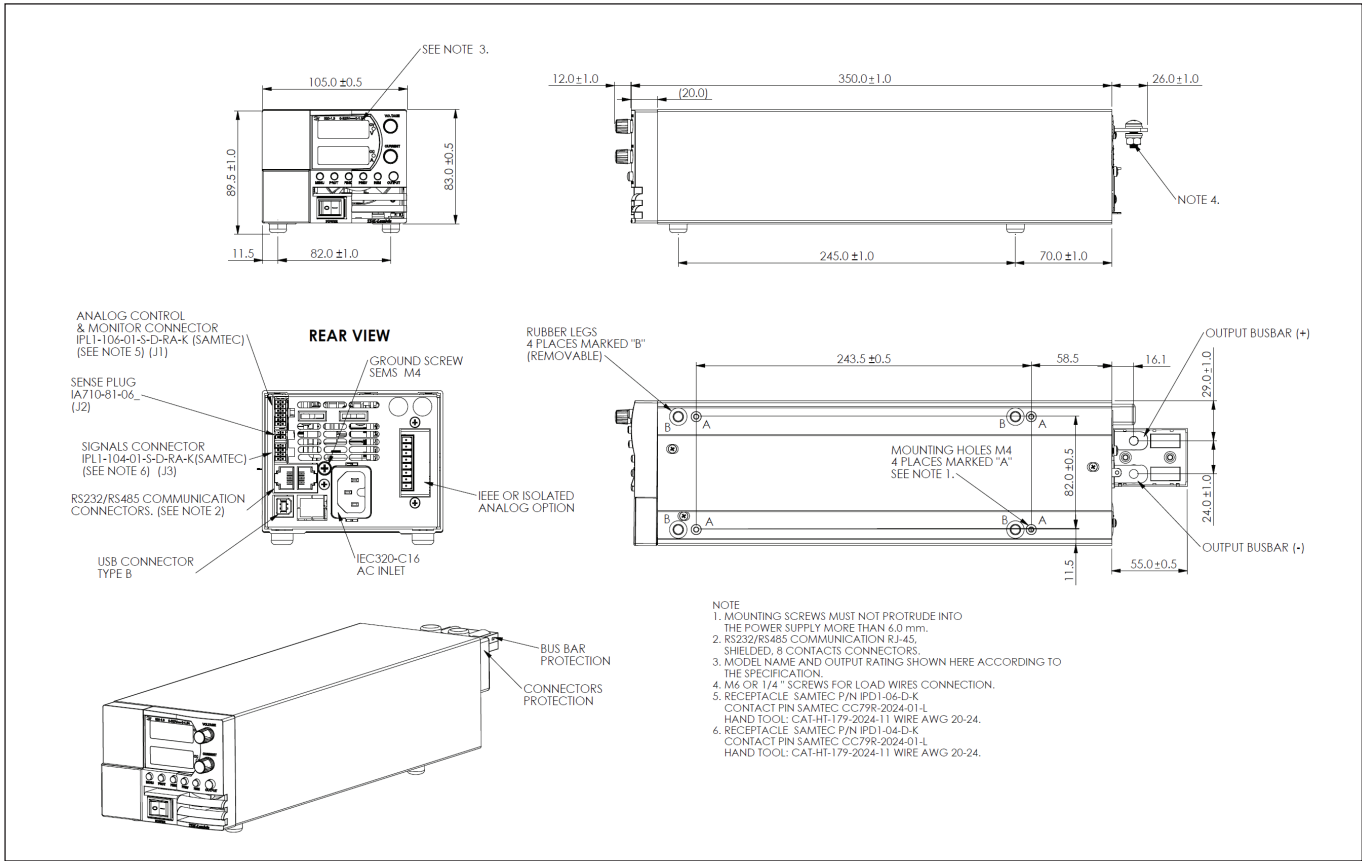
Input voltage derating table for 800W units		
Model	I <sub>1</sub> (A)	I <sub>2</sub> (A)
Z10-72	72	66
Z20-40	40	36
Z36-24	24	20
Z60-14	14	12.5
Z100-8	8	7.5



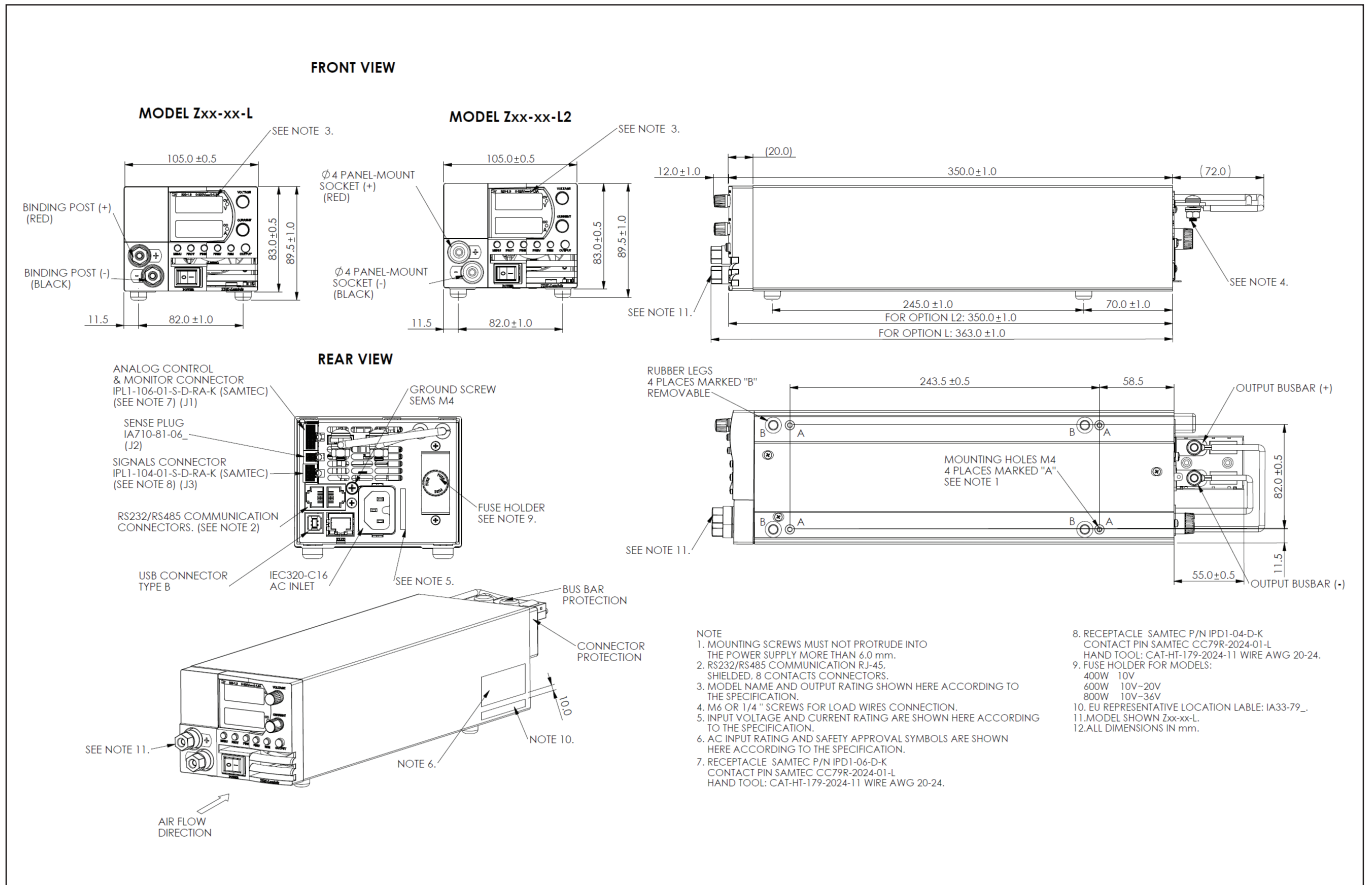
Z+ Outline Drawing (70mm wide)



Z+ Outline Drawing (105mm wide) with Optional IEEE, Isolated Analog Interface



## Z+ Outline Drawing (105mm wide) with Optional Front Panel Jacks





**TDK-Lambda France SAS**

Tel: +33 1 60 12 71 65  
 ttf.fr-powersolutions@tdk.com  
 www.emea.lambda.tdk.com/fr



**Italy Sales Office**

Tel: +39 02 61 29 38 63  
 ttf.it-powersolutions@tdk.com  
 www.emea.lambda.tdk.com/it



**Netherlands**

tif.nl-powersolutions@tdk.com  
 www.emea.lambda.tdk.com/nl



**TDK-Lambda Germany GmbH**

Tel: +49 7841 666 0  
 tlg.powersolutions@tdk.com  
 www.emea.lambda.tdk.com/de



**Austria Sales Office**

Tel: +43 2256 655 84  
 tlg.at-powersolutions@tdk.com  
 www.emea.lambda.tdk.com/at



**Switzerland Sales Office**

Tel: +41 44 850 53 53  
 tlg.ch-powersolutions@tdk.com  
 www.emea.lambda.tdk.com/ch



**Nordic Sales Office**

Tel: +45 8853 8086  
 tlg.dk-powersolutions@tdk.com  
 www.emea.lambda.tdk.com/dk



**TDK-Lambda UK Ltd.**

Tel: +44 (0) 12 71 85 66 66  
 tlu.powersolutions@tdk.com  
 www.emea.lambda.tdk.com/uk



**TDK-Lambda Ltd.**

Tel: +9 723 902 4333  
 tli.powersolutions@tdk.com  
 www.emea.lambda.tdk.com/il-en



**TDK-Lambda Americas**

Tel: +1 800-LAMBDA-4 or 1-800-526-2324  
 tla.powersolutions@tdk.com  
 www.us.lambda.tdk.com



**TDK Electronics do Brasil Ltda**

Tel: +55 11 3289-9599  
 sales.br@tdk-electronics.tdk.com  
 www.tdk-electronics.tdk.com/en



**TDK-Lambda Corporation**

Tel: +81-3-6778-1113  
 www.jp.lambda.tdk.com



**TDK-Lambda (China) Electronics Co. Ltd.**

Tel: +86 21 6485-0777  
 tlc.powersolutions@tdk.com  
 www.lambda.tdk.com.cn



**TDK-Lambda Singapore Pte Ltd.**

Tel: +65 6251 7211  
 tfs.marketing@tdk.com  
 www.sg.lambda.tdk.com



**TDK India Private Limited, Power Supply Division**

Tel: +91 80 4039-0660  
 mathew.philip@tdk.com  
 www.sg.lambda.tdk.com



# Mouser Electronics

Authorized Distributor

Click to View Pricing, Inventory, Delivery & Lifecycle Information:

[TDK-Lambda:](#)

[Z20-30-IEEE-U](#) [Z20-30-IS420-U](#) [Z20-30-LAN-L-U](#) [Z100-4-IS420-U](#) [Z10-40-IEEE-U](#) [Z60-7-IEEE-U](#) [Z60-7-IS420-U](#)  
[Z10-40-IS510-U](#)