

CXA-0463

Dimming/Connector Type

Features

- 2-output
 - Applicable panel size*: 5 to 8 inches
 - With brightness control function (Pulse Wide Modulation mode).
 - With shut down function.
 - With a sensing function for running out of lamp (alarm output).
 - In the high-voltage generator(a terminal and a pattern), an anti-dust measure by silicone application is taken.
- (Notice) Applicable panel size becomes a standard.

Applications



CXA-0463 Specifications (Please refer to each specification before use)

Electrical Characteristics

Item	Unit	Symbol	Specification			Condition						Remark
			min	typ	max	Vin(V)	Vrmt(V)	Vbr(V)	Rbr(kΩ)	Ta(°C)	RL(kΩ)	
Output Current	mA	Iout (Maximum dimmer)	5.5	6.0	6.5	12±1.2	5	0	-	-30 to +80	70	Voltage dimmer (*1)
			5.5	6.0	6.5	12±1.2	5	-	0	-30 to +80	70	Volume dimmer (*1)
		Iout (Minimum dimmer)	1.8	2.5	4.0	12±1.2	5	2.5	-	-30 to +80	70	Voltage dimmer (*1)
			1.8	2.5	4.0	12±1.2	5	-	50	-30 to +80	70	Volume dimmer (*1)
Input Current	A	Iin1	-	0.62	1.00	12±1.2	5	0		-30 to +80	70	Remote ON
	mA	Iin2	-	0	1	12±1.2	0		-30 to +80	70	Remote OFF	
Frequency	kHz	Freq1	45	50	55	12±1.2	5	0		-30 to +80	70	
	Hz	Freq2(Duty frequency)	230	255	280	12±1.2	5	2.5	50	-30 to +80	70	
Open Circuit Voltage	Vrms	Vopen	1300	1500	1700	10.8min.	5	0		-30 to +80	∞	Open load
Alarm Signal	V	Vst	4.5	5.1	5.5	12±1.2	5	0		-30 to +80	∞	In case of lamp anomaly (*2)
			-	0	0.5	12±1.2	5	0		-30 to +80	70	On a normal operation (*2)

(*1) Please refer to the connection diagram for details of a dimming method.

(*2) Please refer to the connection diagram for details of alarm output.

Other Specifications

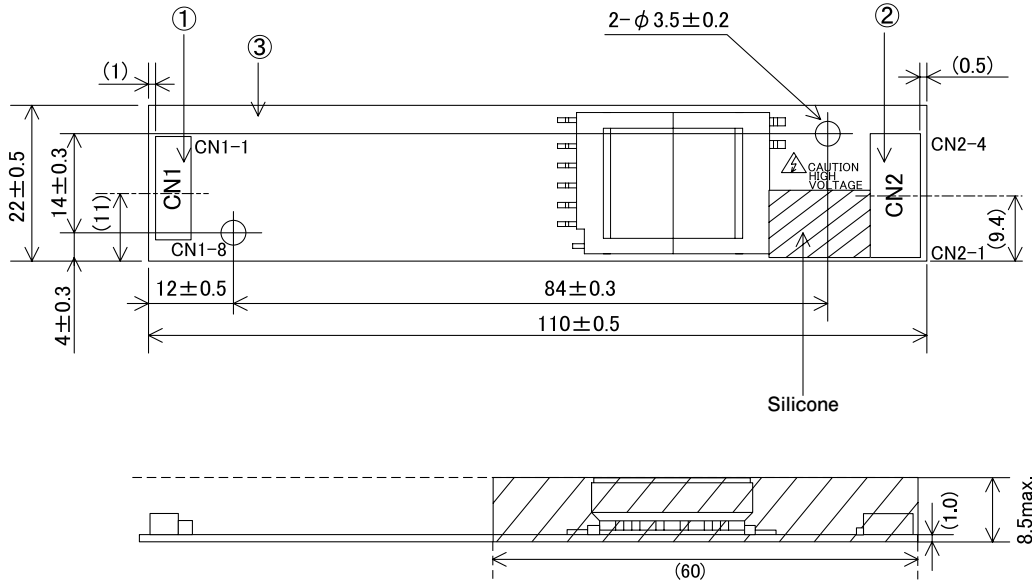
Dimming Function		Yes
Operating Temperature	°C	-30 to +80
Storage Temperature	°C	-30 to +85
Operating Humidity Ratio	RH%	95Max
Safety Standard		-
Weight	g	22
Dimensions(WxDxH)	mm	110x22x8.5 (*3)
Fused Input		Yes
Remote ON / OFF		Yes
Alarm Signal Function		Yes
Shutdown Function		Yes
Silicone Coating on High Voltage Area		Yes

(*3) These dimensions are indicated the maximum only H. Others are typical values.

Conformity to RoHS Directive

This means that, in conformity with EU Directive 2002/95/EC, lead, cadmium, mercury, hexavalent chromium, and specific bromine-based flame retardants, PBB and PBDE, have not been used, except for exempted applications.

Outline Drawing



High-voltage generator ※
 (The entire surface within a range of 60mm away from the end of the basein)
 ※From high-voltage generator, please secure space distance more than 3mm in top and bottom right and left.



Example of label marking
 Product name, Lot No., Country of origin, TDK-Lambda logotype

unit:mm

Connector

Connector number	Part number	Model/Material	Quantity	Remarks	Recommended applicable connector
①	Input connector	53261-0871	1	Molex Inc.	51021-0800
②	Output connector	SM03 (7-D1) B-BHS-1-TB (LF) (SN)	1	JST Mfg. Co., Ltd.	BHR-04VS-1
③	Printed circuit board	Composite (CEM-3)	1	UL94V-0 t=1.0mm	—

Terminal Numbers And Functions

Input side CN1

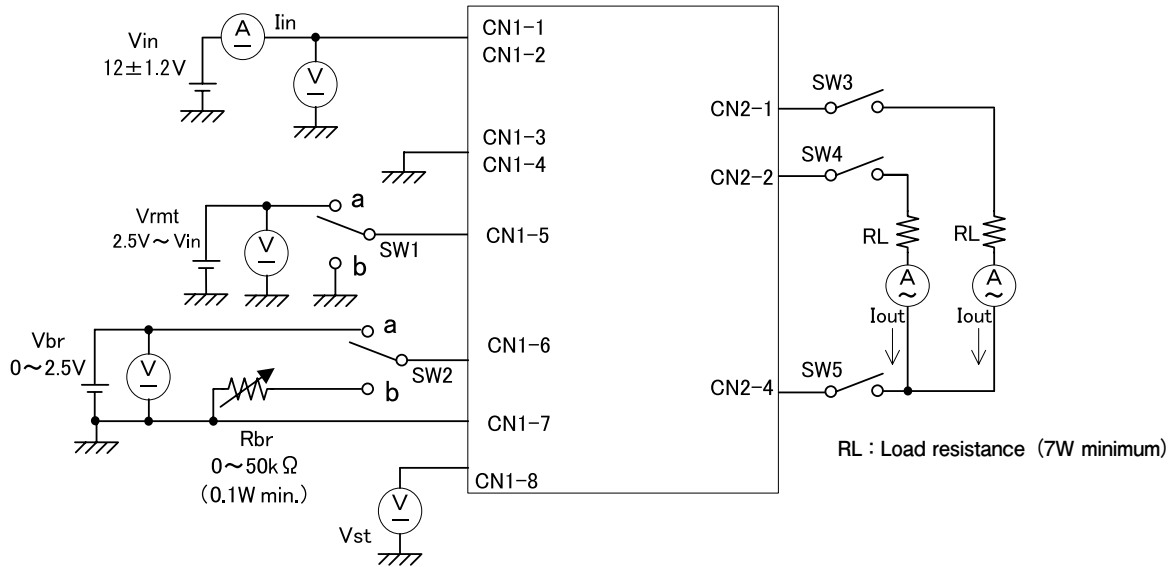
Terminal number	Symbol		Remarks
	Symbol	Rated voltage	
CN1-1	Vin	12±1.2V	Power input
CN1-2			
CN1-3	GND	0V	Ground
CN1-4			
CN1-5	Vrmt	0V/2.5V to Vin+1V	Remote terminal 0 to 0.4V : OFF 2.5 to Vin V : ON
CN1-6	Vbr1/Rbr1	0 to 25V/0 to 50kΩ	Dimmer terminal 1
CN1-7	Vbr2/Rbr2	GND/0 to 50kΩ	Dimmer terminal 2
CN1-8	Vst(Output)	0V/5V	Alarm output Lump open : 5V

Output side CN2

Terminal number	Symbol		Remarks
	Symbol	Rated voltage	
CN2-1	V _{HIGH1}	420Vrms	Output 1
CN2-2	V _{HIGH2}	420Vrms	Output 2
CN2-3	N.C.	—	N.C.
CN2-4	V _{LOW}	(2V)	Output 1, 2 return

· All specifications are subject to change without notice.

Connections



Operate as follows by switching SW1.

SW1	Unit operation
a	Operation
b	Does not operate

Operate as follows by switching SW2.

SW2	Unit operation
a	Voltage dimmer Vbr=0 to 2.5V
b	Volume dimmer VR=0 to 50kΩ

※ Vbr=0V:Maximum brightness
Rbr=0Ω:Maximum brightness

Operate by a switch of SW3 to 5 as follows.

SW3 to 5	Alarm output
Open	Operation (5V output)
Close	Does not operate (0V output)

Mouser Electronics

Authorized Distributor

Click to View Pricing, Inventory, Delivery & Lifecycle Information:

[TDK:](#)

[CXA-0463](#)